



## SafeLine SL6+ PSTN **Our bestseller – combining the most sought-after features in one complete alternative**

\*SL6

This PSTN main unit in the SL6 system can be placed either in the lift machine room or in the shaft, using the landline for communication, and is an ideal solution for buildings with already installed telephone lines. Combine the SL6 main unit with any of our wide range of voice stations, up to six per unit, for a full system.

Simplifying things even more: you don't need to bring a computer when configuring the SL6. Save time and energy during installation or maintenance with the built-in LYNX, letting the entire system be configured wirelessly with help of the SafeLine LYNX app in your regular smartphone, available free of charge in both the App Store and Google Play.

## Technical information

For all types of buildings  
Connect up to six voice stations  
Built-in wireless configuration  
Intercom/Fire intercom support  
Flexible options for GSM  
Wide range of voice stations  
Battery backup + automatic battery  
condition test  
Fulfil EN81-28 and EN81-70

## Technical data

### Power supply

230VAC

### Output voltage

12VDC

### Battery

12 VDC, 1,2 Ah

### Relay

Max 1 A/30 VDC

### IP

IP20

### Inputs

10-30 VDC, 5 mA

### Antenna connection

SMA

### Effect

230VAC, 6-10W

### Size (HxWxD)

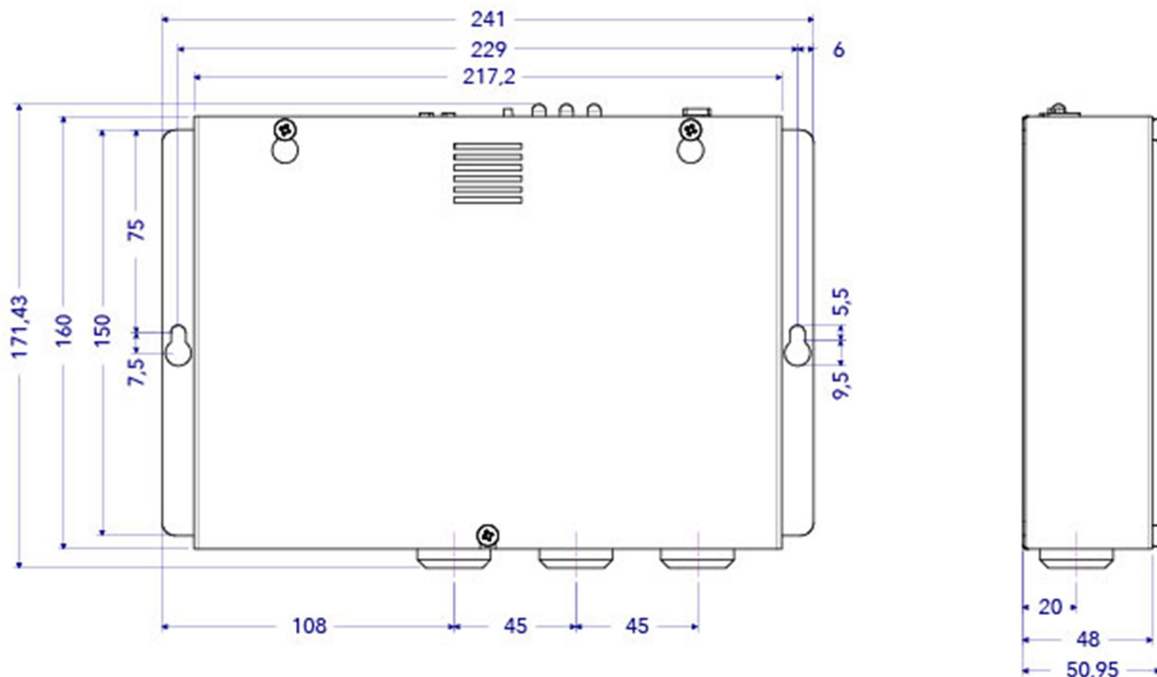
241 x 160 x 47 mm

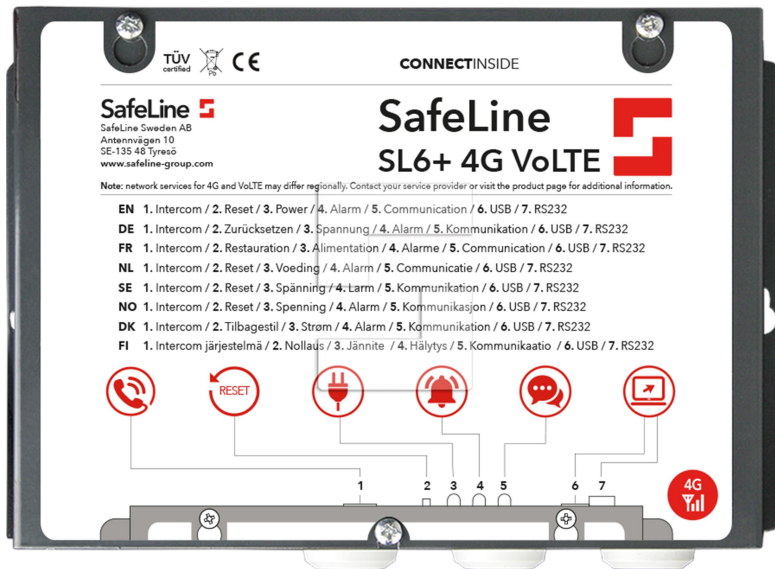
### Weight

1700 g

### Other

Bluetooth 4.0, BLE 2,4 GHz





## SafeLine SL6+ 4G VoLTE

\*SL6-4G

**Our bestseller – combining the most sought-after features in one complete alternative with full 4G VoLTE support**

This version of the SL6 is intended for mounting either in the machine room or shaft and comes with up to 4G VoLTE capability, giving you mobile services built for the future – making sure your system can handle the technical demands of the near future. Combine the SL6 main unit with any of our wide range of voice stations, up to six per unit with on only one mobile subscription, for a full system.

Simplifying things even more: you don't need to bring a computer when configuring the SL6. Save time and energy during installation or maintenance with the built-in LYNX, letting the entire system be configured wirelessly with help of the SafeLine LYNX app in your regular smartphone, available free of charge in both the App Store and Google Play.

Note: network services may differ from country to country and/or service providers. Contact your service provider for more information about 4G and VoLTE in your specific region.

## Technical information

For all types of buildings  
Mobile services for 2G, 3G and 4G  
VoLTE  
Connect up to six voice stations  
Built in wireless configuration  
Intercom/Fire intercom support  
Fallback functionality  
Wide range of voice and fire stations  
Battery backup + automatic battery  
condition test  
Fulfils EN81-28 and EN81-70

## Technical data

### Power supply

230VAC

### Output voltage

12VDC

### Battery

12 VDC, 1,2 Ah

### Relay

Max 1 A/30 VDC

### IP

IP20

### Inputs

10-30 VDC, 5 mA

### Antenna connection

SMA

### Effect

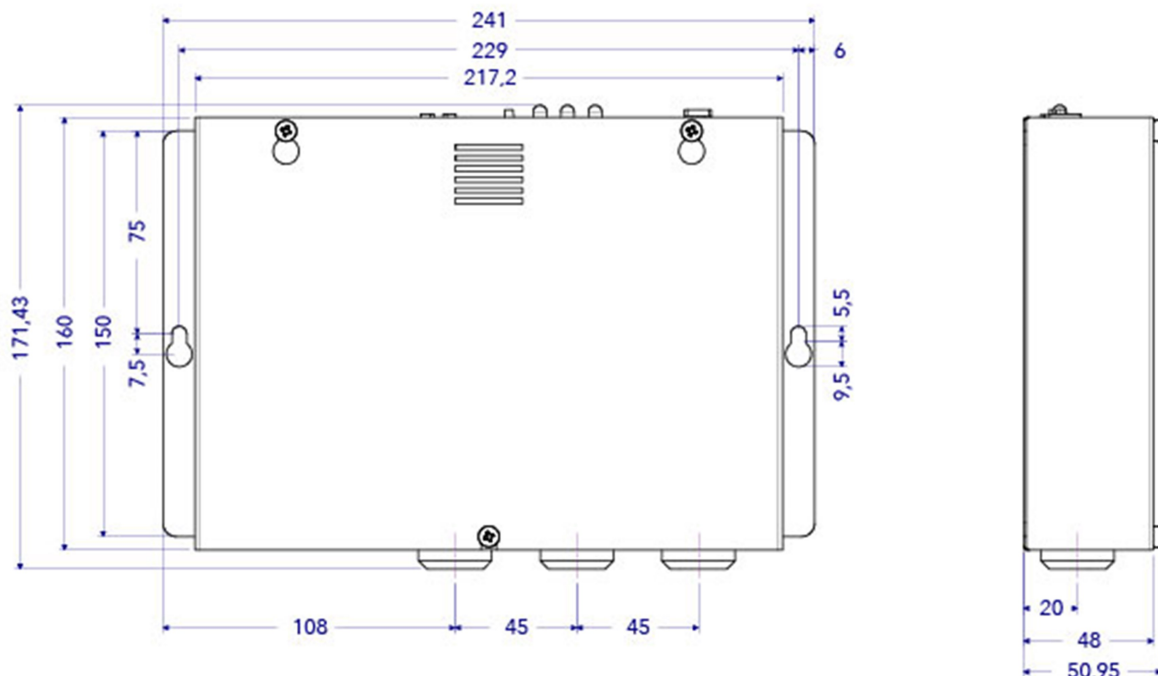
230VAC, 6-10W

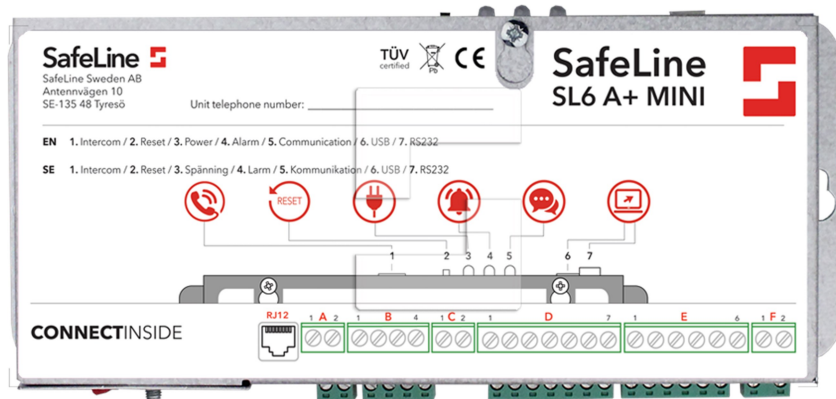
### Size (HxWxD)

241 x 160 x 47 mm

### Weight

1700 g





## SafeLine SL6+ MINI PSTN

\*SL6-MINI

**Our bestseller – combining the most sought-after features in one complete alternative**

This PSTN Miniature unit of the SL6 system is designed to be mounted in a controller cabinet, a suitable option for machine room-less lifts or where space is otherwise confined, and uses the landline for communication. Combine the SL6 main unit with any of our wide range of voice stations, up to six per unit, for a full system.

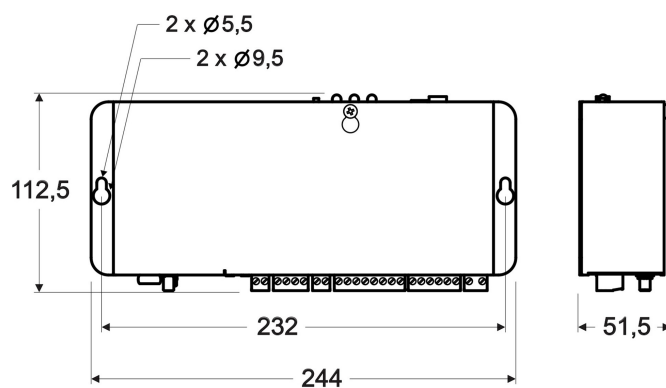
Simplifying things even more: you don't need to bring a computer when configuring the SL6. Save time and energy during installation or maintenance with the built-in LYNX, letting the entire system be configured wirelessly with help of the SafeLine LYNX app in your regular smartphone, available free of charge in both the App Store and Google Play.

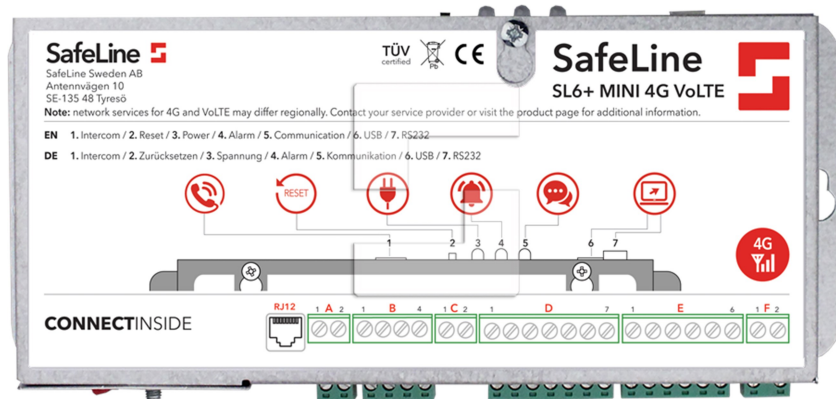
## Technical information

For all types of buildings  
Mountable in controller cabinet  
Connect up to six voice stations  
Built-in wireless configuration  
Intercom/Fire intercom support  
Flexible options for GSM  
Wide range of voice stations  
Battery backup + automatic battery  
condition test  
Fulfils EN81-28 and EN81-70

## Technical data

**Size (HxWxD)**  
244 x 112 x 51 mm





## SafeLine SL6+ Mini 4G VoLTE

**Our bestseller – combining the most sought-after features in one complete alternative with full 4G VoLTE support**

\*SL6-MINI-4G

Simplifying things even more: you don't need to bring a computer when configuring the SL6. Save time and energy during installation or maintenance with the built-in LYNX, letting the entire system be configured wirelessly with help of the SafeLine LYNX app in your regular smartphone, available free of charge in both the App Store and Google Play.

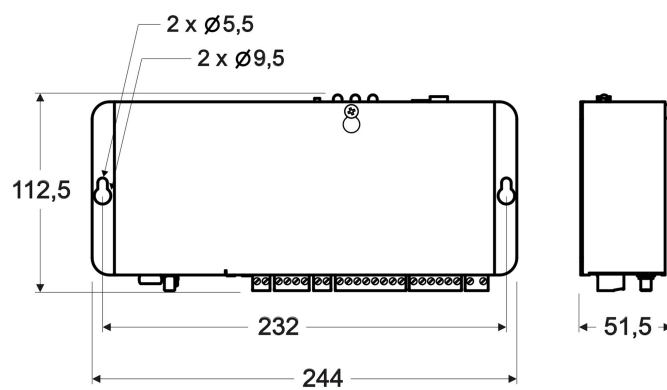
Note: network services may differ from country to country and/or service providers. Contact your local SafeLine office for more information about 4G.

## Technical information

For all types of buildings  
Mobile services for 2G, 3G and 4G  
VoLTE  
Mountable in controller cabinet  
Connect up to six voice stations  
Built-in wireless configuration  
Intercom/Fire intercom support  
Fallback functionality  
Wide range of voice and fire stations  
Battery backup + automatic battery  
condition test  
Fulfil EN81-28 and EN81-70

## Technical data

**Size (HxWxD)**  
244 x 112 x 51 mm







## SafeLine SL6 voice station, COP2 mounting with low profile

\*SLB-COP2-L

### The original voice station for the SL6 with up to six assignable addresses

The original-sized voice station intended for installation behind the car operating panel with adhesive tape and equipped with two LED's. This low-profile version without a screw terminal uses two JST connectors for connection instead and is suited for when there is minimal space behind the car operating panel.

Use either as an ordinary voice station or as part of a fire intercom system. Assign the station an identity by using the address selector and configure the main unit SL6 to match your desired setup.

## Technical information

Flexible installation  
Up to six assignable addresses  
JST connectors  
Easy mounting with adhesive tape  
Connect external pictograms and emergency button

## Technical data

### Current consumption

15mA nominal

### Effect

0,18W

### Size (HxWxD)

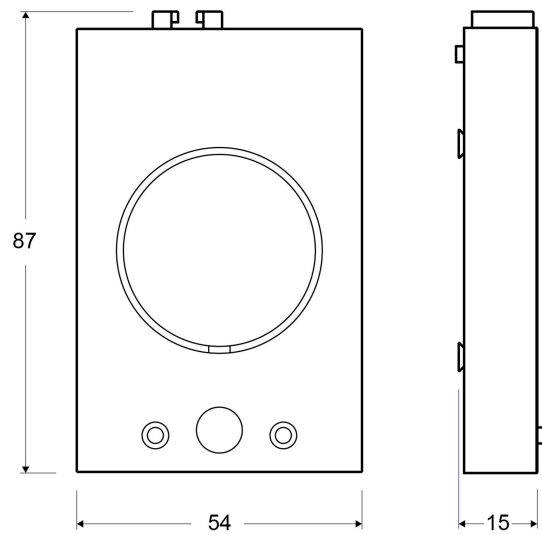
87 x 54 x 15 mm

### Weight

290 g

### Other

Pictograms: Max 100mA 24VDC  
Transistor outputs.





## SafeLine SL6 voice station, COP mounting

\*SLB-COP

**The original voice station for the SL6 with up to six assignable addresses**

The original-sized voice station intended for installation behind the car operating panel with a metal frame for mounting and equipped with two LED's. A flexible version with minimal changes to the interior of the lift car, letting you use an alarm button of choice.

Use either as an ordinary voice station or as part of a fire intercom system. Assign the station an identity by using the address selector and configure the main unit SL6 to match your desired setup.

## Technical information

Flexible installation  
Up to six assignable addresses  
Connect with screw connector or RJ45  
Easy mounting with adhesive tape  
Connect external pictograms and emergency button

## Technical data

### Current consumption

15mA nominal

### Effect

0,18W

### Size (HxWxD)

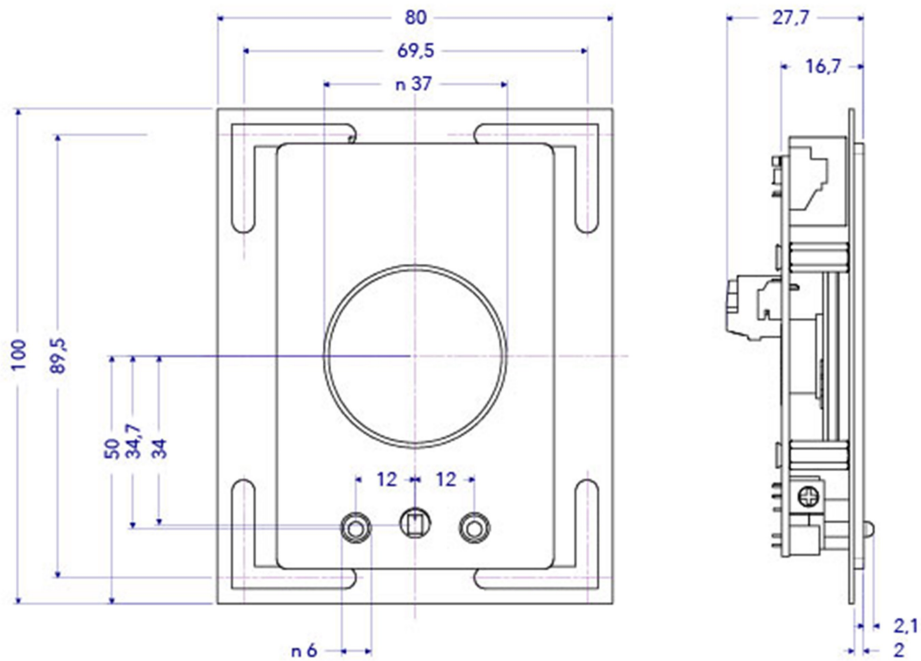
100 x 80 x 28mm

### Weight

300g

### Other

Pictograms: Max 100mA 24VDC  
Transistor outputs.





## SafeLine SL6 voice station, COP mounting with low profile

\*SLB-COP-L

### **The original voice station for the SL6 with up to six assignable addresses**

The original-sized voice station intended for installation behind the car operating panel with a metal frame for mounting and equipped with two LED's. This low-profile version without a screw terminal uses two JST connectors for connection instead and is suited for when there is minimal space behind the car operating panel.

Use either as an ordinary voice station or as part of a fire intercom system. Assign the station an identity by using the address selector and configure the main unit SL6 to match your desired setup.

## Technical information

Flexible installation  
Up to six assignable addresses  
JST connectors  
Easy mounting with adhesive tape  
Connect external pictograms and emergency button

## Technical data

### Current consumption

15mA nominal

### Effect

0,18W

### Weight

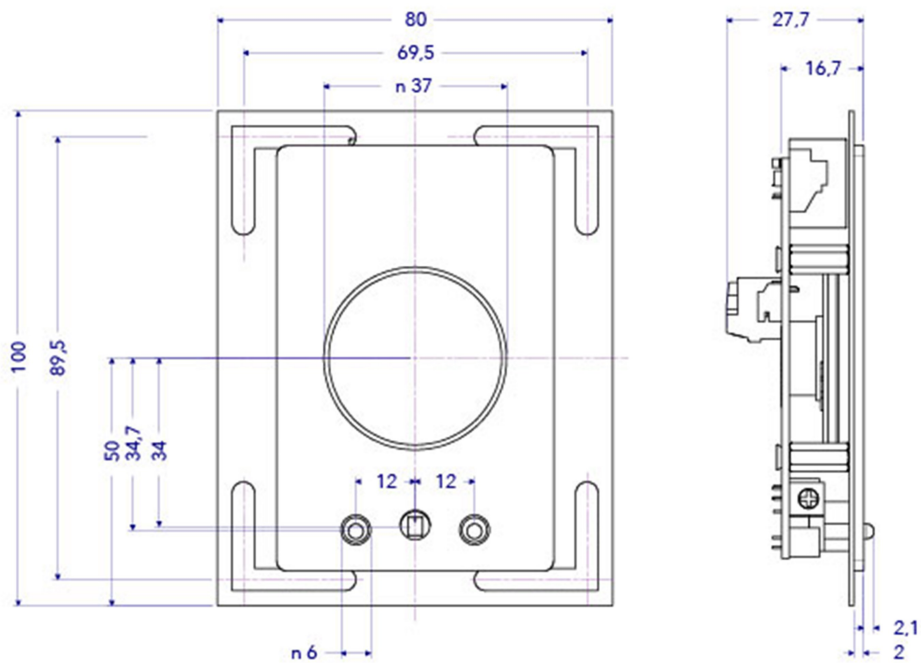
335 g

### Dimensions

100 x 80 x 18 mm

### Other

Pictograms: Max 100mA 24VDC  
Transistor outputs.





## SafeLine SL6 voice station, COP mounting without front plate

\*SLB-COP2

### **The original voice station for the SL6 with up to six assignable addresses**

The original-sized voice station intended for installation behind the car operating panel with adhesive tape and equipped with two LED's. A flexible version with minimal changes to the interior of the lift car, letting you use an alarm button of choice.

Use either as an ordinary voice station or as part of a fire intercom system. Assign the station an identity by using the address selector and configure the main unit SL6 to match your desired setup.

## Technical information

Flexible installation  
Up to six assignable addresses  
Easy mounting with adhesive tape  
Connect external pictograms and emergency button

## Technical data

### Power supply

12 VDC

### IP

IP40

### Inputs

10-30 VDC, 5 mA

### Effect

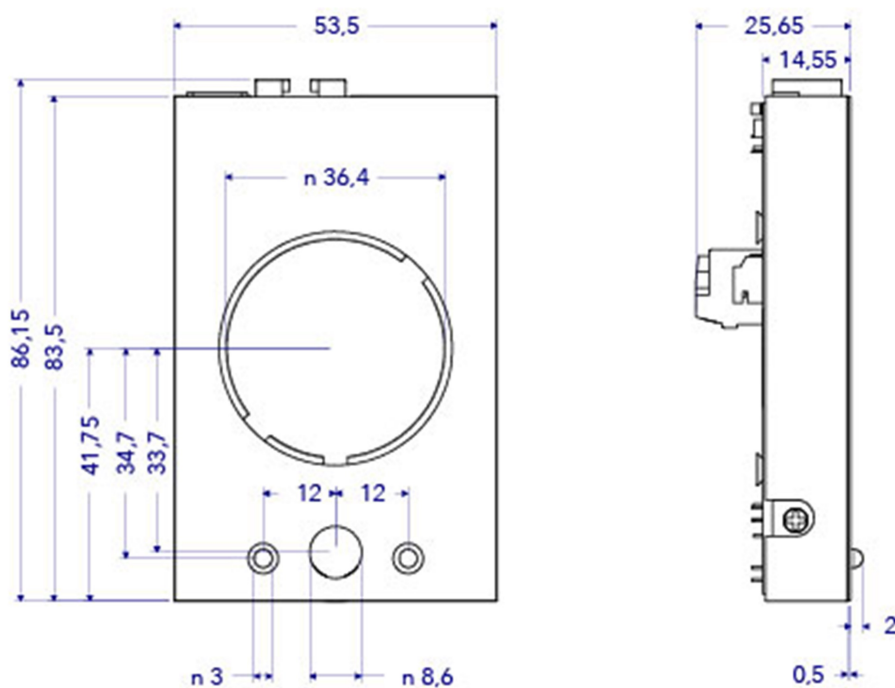
0,18W

### Size (HxWxD)

88 x 56 x 28mm

### Weight

280g







## SafeLine SL6 voice station, COP mounting with pictogram lenses

\*SLB3-COP

### The voice station for SL6 – compact and safe design

A more compact version of the voice station, equipped with integrated pictogram lenses for enhanced visibility. As part of the SLB3 series, this voice station comes with only two address selectors, so you don't have to bother with setting up the station's address manually.

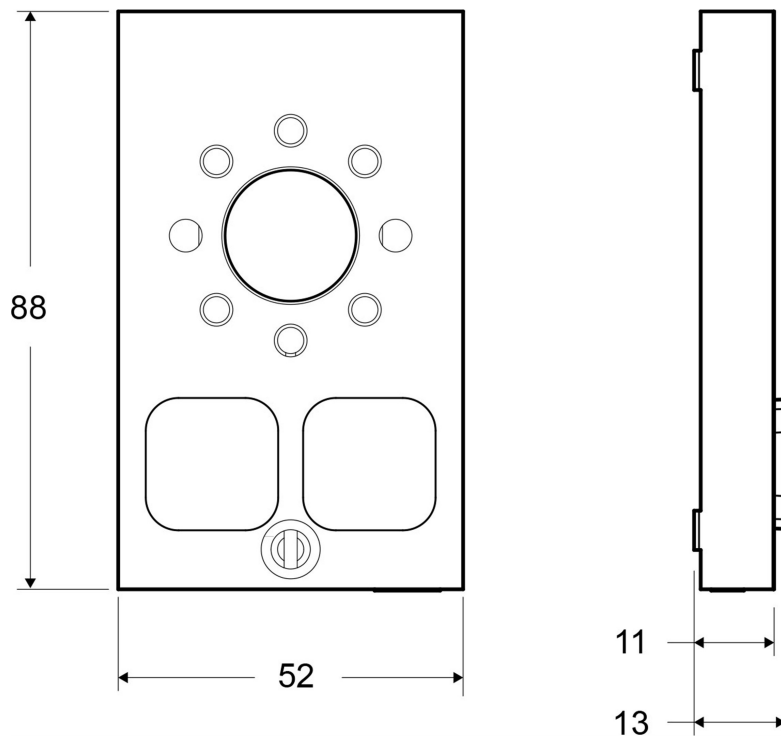
This version of the voice station is to be installed in the car's operating panel with adhesive tape. A flexible version with minimal changes to the interior of the lift car, letting you use an alarm button of choice.

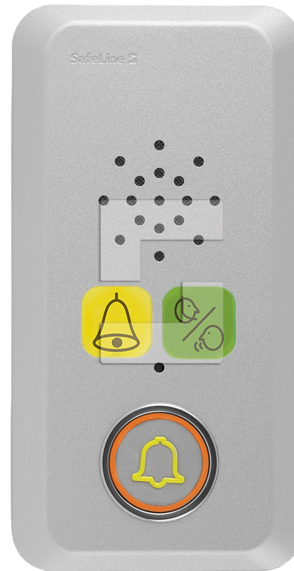
## Technical information

Very compact and flexible design  
Only 2 address selectors  
Quick installation with adhesive tape  
Backlit pictogram lenses  
Connection of external pictograms possible  
Input for alarm button

---

## Technical data





## SafeLine SL6 voice station, surface mount design with pictograms & button

\*SLB3-SMD-PIC-B

### The thinner & all-in-one voice station for the SL6

An updated and even thinner version of the voice station for the lift emergency telephone SL6. This sleek design allows for the station to truly blend in with a uniform look. As part of the SLB3 series, this voice station comes with only two address selectors, so you don't have to bother with setting up the station's address manually.

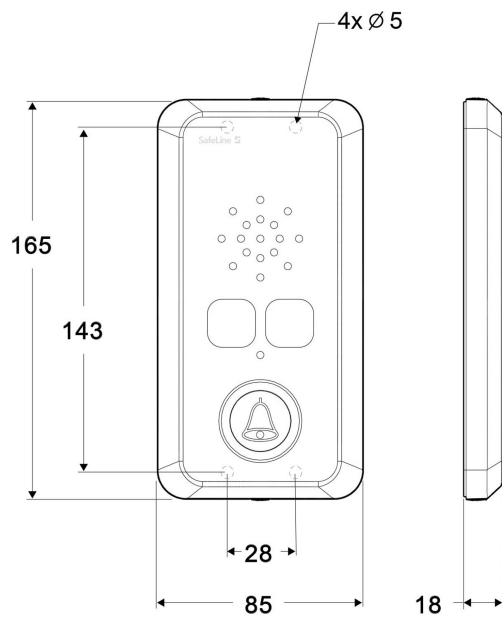
This version of the voice station is delivered with a front plate along with integrated pictogram lenses and an alarm button for surface mounting on the wall of the lift car. As a complete all-in-one solution, this station fully removes the need for external components and is easily mounted with two screws for a quick and smooth installation.

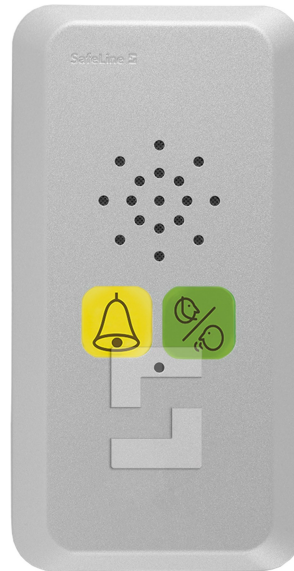
## Technical information

Thinner design  
Only 2 address selectors  
All-in-one solution  
Quick installation with only two screws  
Connection of external pictograms possible

## Technical data

**Size (HxWxD)**  
165 x 85 x 18 mm





## SafeLine SL6 voice station, surface mount design with pictograms

\*SLB3-SMD-PIC

### The thinner and uniformly designed voice station for the SL6

An updated and even thinner version of the voice station for the lift emergency telephone SafeLine SL6. The sleek design allows for the station to truly blend in with a uniform look.

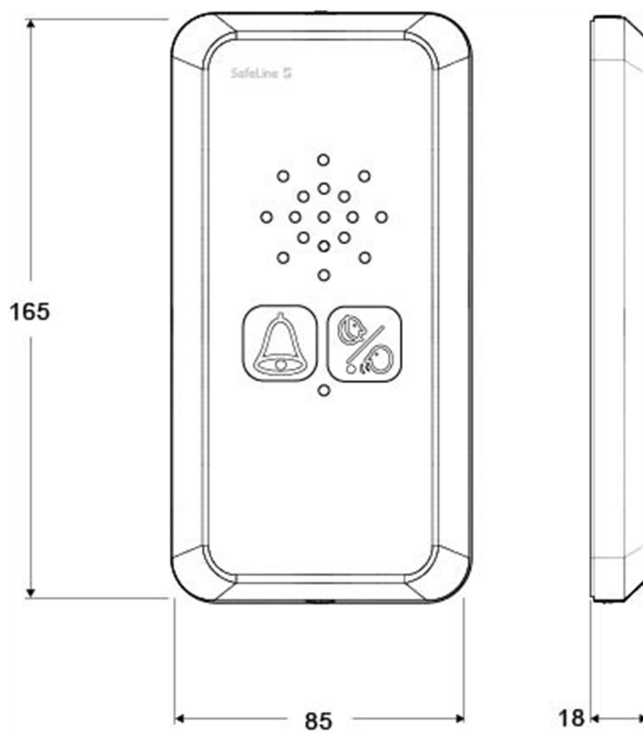
This version of the voice station is delivered with a front plate along with integrated pictogram lenses for surface mounting on the wall of the lift car, ready to be connected to existing alarm button. Easily mounted with two screws for a quick and smooth installation.

## Technical information

Thinner design  
Only 2 address selectors  
Quick installation with only two screws  
Connection of external pictograms possible

## Technical data

**Size (HxWxD)**  
165 x 85 x 16 mm





## SafeLine SL6 voice station, surface mounting with LED pictograms & alarm button

\*SLB-SM-PIC-BUT

**The original voice station for the SL6 with up to six assignable addresses**

The original-sized version of the voice station, equipped with LED pictograms and an alarm button. Delivered with a front plate intended for surface mounting with two screws. An all-in-one solution fully removing the need for external components.

Use either as an ordinary voice station or as part of a fire intercom system. Assign the station an identity by using the address selector and configure the main unit SL6 to match your desired setup.

## Technical information

Quick installation with only two screws  
Up to six assignable addresses  
All-in-one solution  
Connection of external pictograms possible

## Technical data

### Current consumption

15mA nominell

### Effect

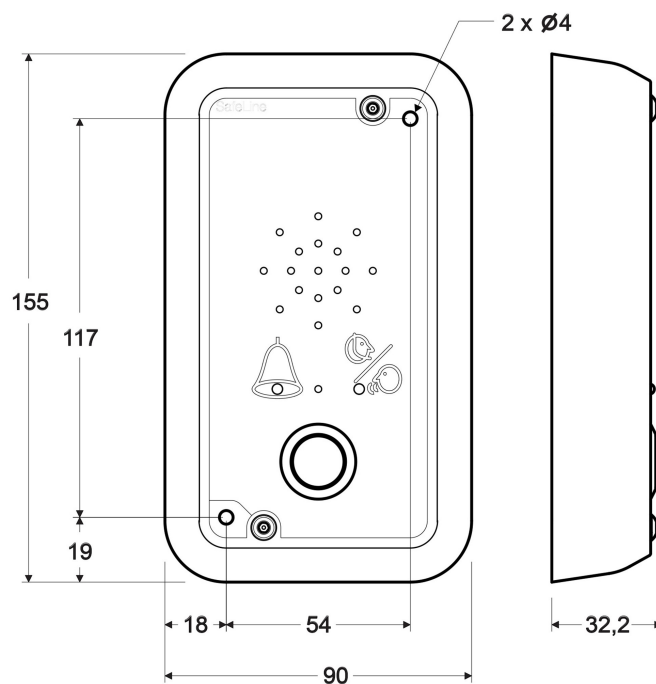
0,18W

### Size (HxWxD)

155 x 90 x 32 mm

### Weight

440g







## SafeLine SL6 voice station, surface mounting with LED pictograms & LED frame

\*SLB-SM-PIC-LIGH

### The original voice station for the SL6 with up to six assignable addresses

The original-sized version of the voice station, equipped with LED pictograms and a built-in LED-rail for emergency lighting when activated. Delivered with a front plate for surface mounting with only two screws, enabling a very quick installation and letting you connect external alarm button of choice.

Use either as an ordinary voice station or as part of a fire intercom system. Assign the station an identity by using the address selector and configure the main unit SL6 to match your desired setup.

## Technical information

Quick installation with only two screws  
Up to six assignable addresses  
Strong emergency light with built-in LED-rail  
Connection of external pictograms possible

## Technical data

### Current consumption

15mA nominal

### Effect

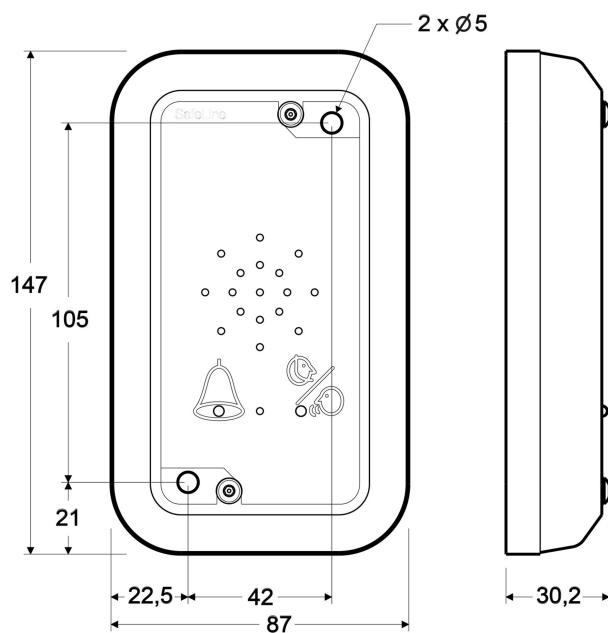
0,18W

### Size (HxWxD)

147 x 87 x 30 mm

### Weight

430 g





## SafeLine SL6 voice station, surface mounting with LED pictograms

\*SLB-SM-PIC

### The original voice station for the SL6 with up to six assignable addresses

The original-sized version of the voice station, equipped with LED pictograms. Delivered with a front plate for surface mounting with only two screws, enabling a very quick installation and letting you connect external alarm button of choice.

Use either as an ordinary voice station or as part of a fire intercom system. Assign the station an identity by using the address selector and configure the main unit SL6 to match your desired setup.

## Technical information

Quick installation with only two screws  
Up to six assignable addresses  
Input for alarm button  
Connection of external pictograms possible

## Technical data

### Current consumption

15mA nominal

### Effect

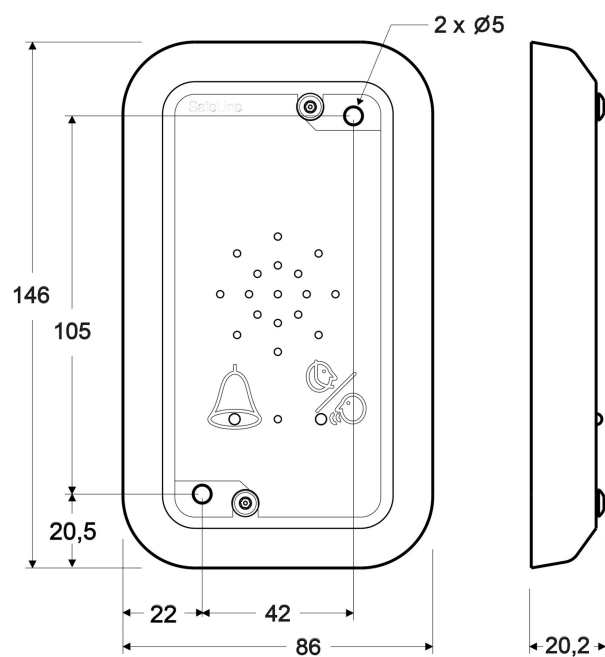
0,18W

### Size (HxWxD)

146 x 86 x 20 mm

### Weight

380g





## SafeLine SL6 voice station, surface mounting

\*SLB-SM

### **The original voice station for the SL6 with up to six assignable addresses**

The original-sized version of the voice station, without pictograms, letting you easily integrate the station with existing pictograms and/or button with the supplied RJ45 cable. Delivered with a front plate for surface mounting with only two screws, enabling a very quick installation.

Use either as an ordinary voice station or as part of a fire intercom system. Assign the station an identity by using the address selector and configure the main unit SL6 to match your desired setup.

## Technical information

Quick installation with only two screws  
Up to six assignable addresses  
Supplied RJ45 cable  
Connection of external pictograms possible

## Technical data

### Current consumption

15mA nominal

### Effect

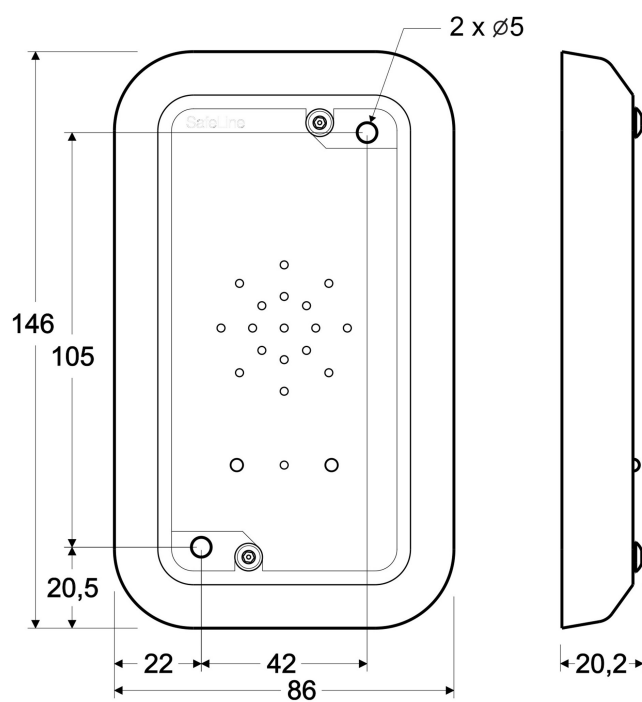
0,18W

### Size (HxWxD)

146 x 86 x 20 mm

### Weight

380g





## SafeLine SL6 voice station, surface mounting with pictogram lenses and alarm button

\*SLB3-SM-PIC-B

### The voice station for SL6 – compact and safe design

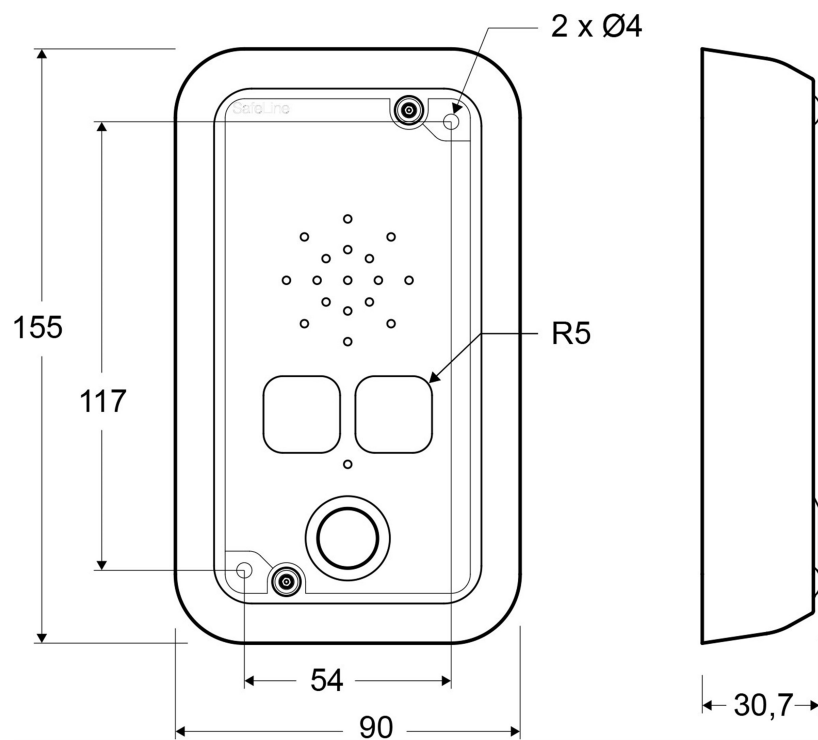
A more compact version of the voice station, equipped with integrated pictogram lenses for enhanced visibility. As part of the SLB3 series, this voice station comes with only two address selectors, so you don't have to bother with setting up the station's address manually.

Is delivered with a front plate and an alarm button, intended for surface mounting. An all-in-one solution fully removing the need for external components and is easily mounted with two screws.

## Technical information

- Very compact and flexible design
- Only 2 address selectors
- All-in-one solution
- Quick installation with only two screws
- Backlit pictogram lenses
- Connection of external pictograms possible

## Technical data







## SafeLine SL6 voice station, surface mounting with pictogram lenses

\*SLB3-SM-PIC

### The voice station for SL6 – compact and safe design

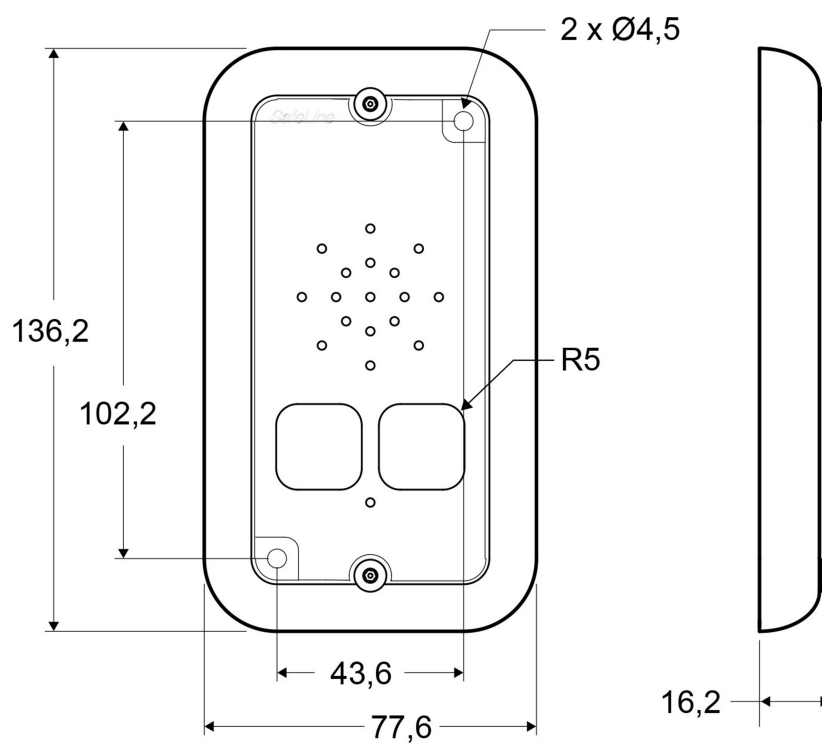
An updated and more compact version of the voice station for the lift emergency telephone SL6, with new integrated pictogram lenses. As part of the SLB3 series, this voice station comes with only two address selectors, so you don't have to bother with setting up the station's address manually.

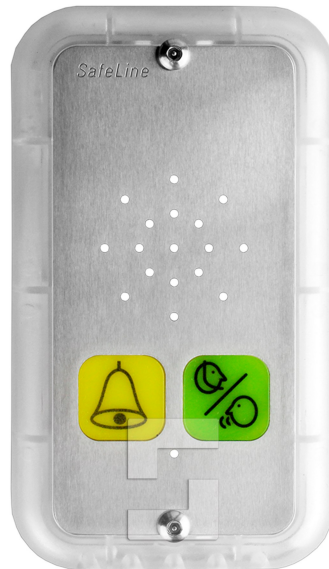
This version of the voice station is delivered with a front plate for surface mounting outside the car operating panel with integrated pictogram lenses. The unit is mounted very easily with only two screws on the car's operating panel, and enables a very quick and smooth installation. Besides the units' already integrated pictograms, there is also possibilities to connect external pictograms for further choices.

## Technical information

- Very compact and flexible design
- Only 2 address selectors
- Quick installation with only two screws
- Backlit pictogram lenses
- Connection of external pictograms possible
- Input for alarm button

## Technical data





## SafeLine SL6 voice station, surface mounting with pictogram lenses & emergency light frame

\*SLB3-SM-PIC-L

### The voice station for SL6 – compact and safe design

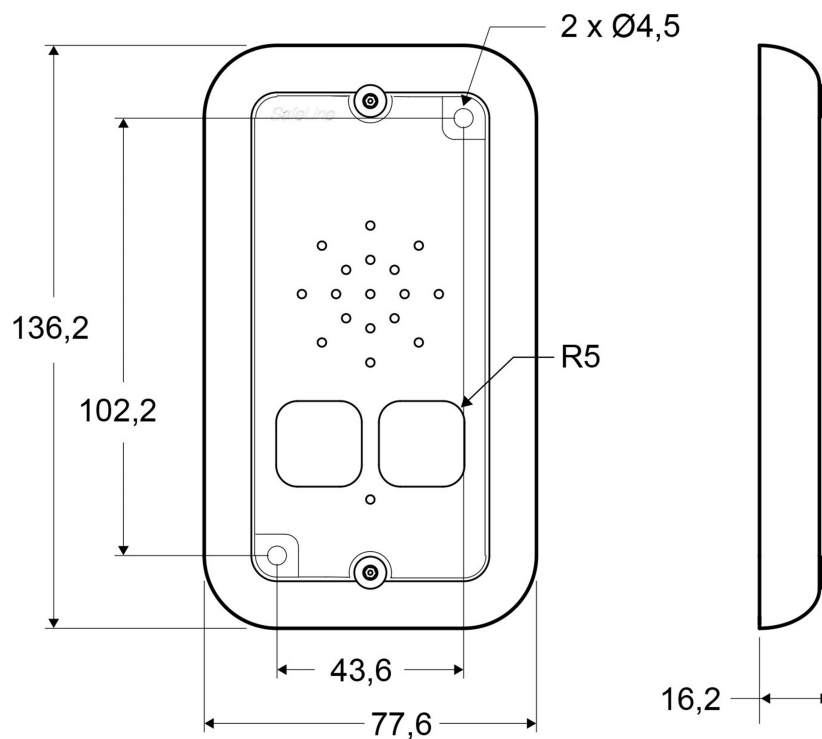
An updated and more compact version of the voice station for the lift emergency telephone SL6, with new integrated pictogram lenses. As part of the SLB3 series, this voice station comes with only two address selectors, so you don't have to bother with setting up the station's address manually.

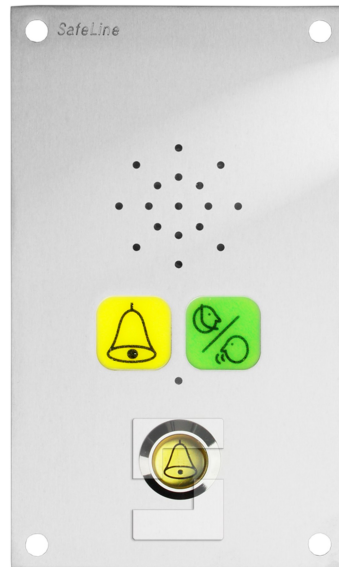
This version of the voice station is delivered with a front plate and a built-in transparent emergency-light frame for mounting on the wall of the lift car with only two screws, which ensures a smooth and very quick installation. The strong emergency light the frame offers, is one of the most clear and safe options SafeLines can offer in the category of voice stations.

## Technical information

Very compact and flexible design  
Only 2 address selectors  
Quick installation  
Strong emergency light thanks to transparent frame  
Backlit pictogram lenses  
Connection of external pictograms possible

## Technical data





## SafeLine SL6 voice station, flush mounting with pictogram lenses & alarm button

\*SLB3-REC-PIC-B

### The voice station for SL6 – compact and safe design

An updated and more compact version of the voice station for the lift emergency telephone SL6, with new integrated pictogram lenses. As part of the SLB3 series, this voice station comes with only two address selectors, so you don't have to bother with setting up the station's address manually.

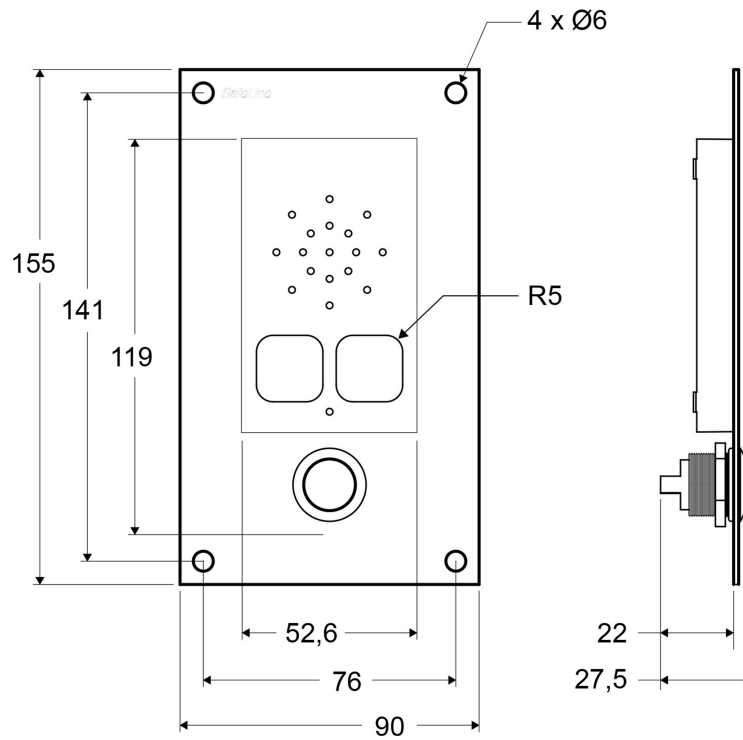
This version of the voice station is delivered with a front plate, integrated pictogram lenses and an alarm button for flush mounting on the wall of the car's operating panel. Thanks to the flush mounting of the unit – an alternative that saves both physical in the lift car and protects the unit against vandalism – and the integrated pictogram lenses together with the alarm button, makes this version one of the most complete and long-term alternatives in the series.

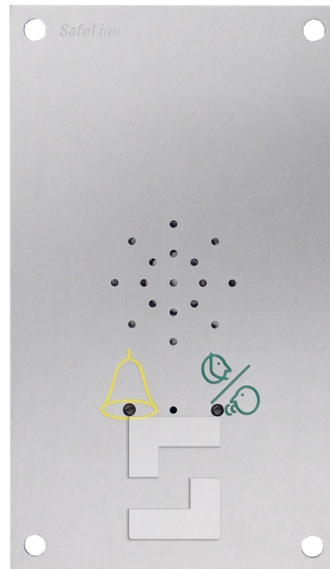
## Technical information

Very compact and flexible design  
Only 2 address selectors  
All-in-one solution  
Backlit pictogram lenses  
Connection of external pictograms possible

---

## Technical data





## SafeLine SL6 voice station, flush mounting with LED pictograms

\*SLB-REC-PIC

### The original-sized voice station with up to six assignable addresses

The original-sized version of the voice station intended for flush mounting on the car wall, equipped with LED pictograms, letting you connect an alarm button of choice. The flush mounting saves both physical space in the lift car as well as keeping the station safe from vandalism.

Use either as an ordinary voice station or as part of a fire intercom system. Assign the station an identity by using the address selector and configure the main unit SL6 to match your desired setup.

## Technical information

Sleek and safe design  
Up to six assignable addresses  
Input for alarm button  
Connection of external pictograms possible

## Technical data

### Current consumption

15mA nominal

### Effect

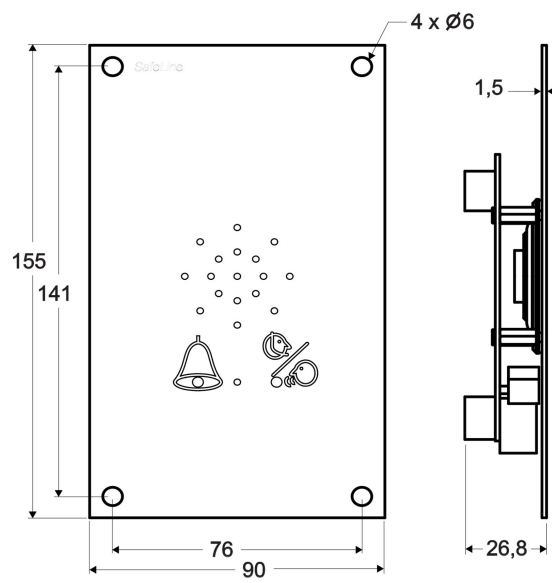
0,18W

### Size (HxWxD)

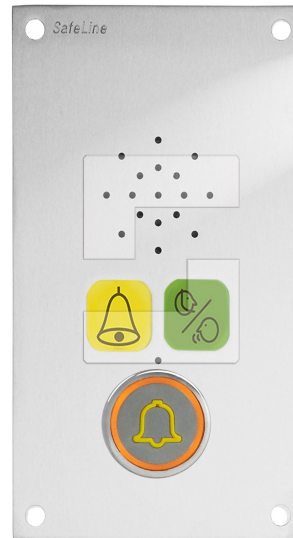
155 x 90 x 27 mm

### Weight

430g







## SafeLine SL6 voice station, flush mounting with pictogram lenses & LED light button

\*SLB3-REC-BL

### The thinner voice station for the SL6 with a light button

An updated and more compact version of the voice station for the lift emergency telephone SL6, with new integrated pictogram lenses. As part of the SLB3 series, this voice station comes with only two address selectors, so you don't have to bother with setting up the station's address manually.

This version is delivered with a front plate for flush mounting on the wall of the lift car and an updated alarm button that features LED lighting – giving increased visibility in the lift car. Perfect in the event of power outage. Gathers all necessary lift safety car components in one unit while providing protection from vandalism with the flush mounting.

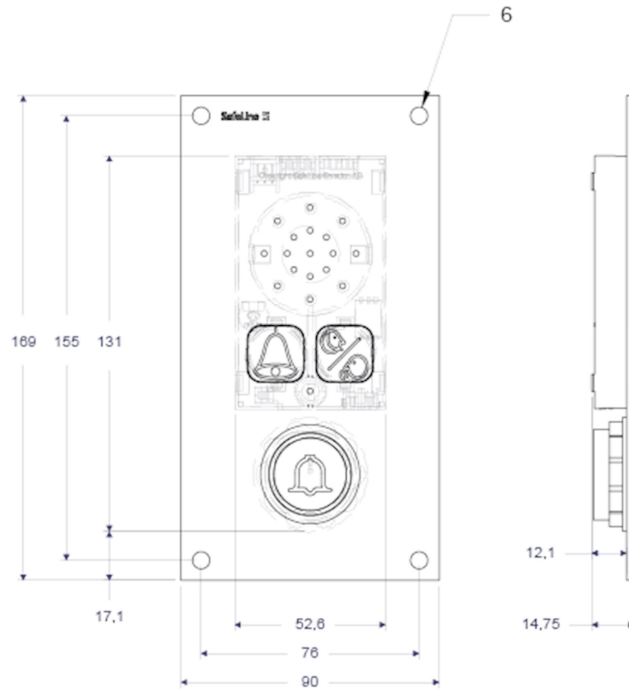
## Technical information

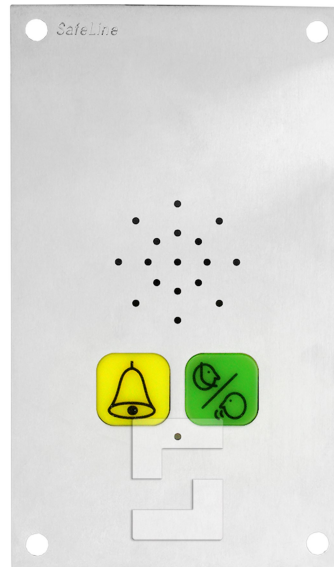
Sleek and safe design  
Only 2 address selectors  
LED lit button for extra visibility  
Plug and play connections  
Backlit pictogram lenses

## Technical data

**Size (HxWxD)**

169 x 90 x 15





## SafeLine SL6 voice station, flush mounting with pictogram lenses

\*SLB3-REC-PIC

### The voice station for SL6 – compact and safe design

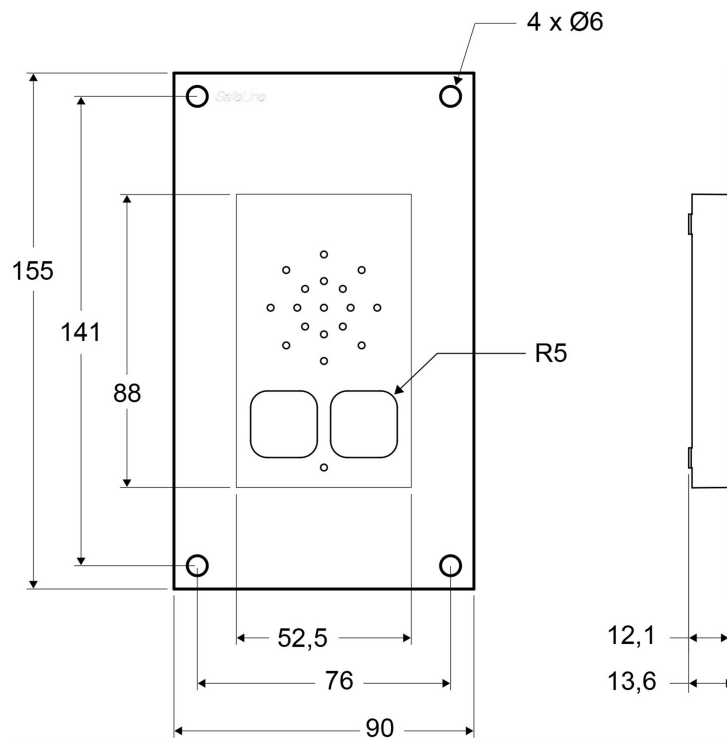
An updated and more compact version of the voice station for the lift emergency telephone SL6, with new integrated pictogram lenses. As part of the SLB3 series, this voice station comes with only two address selectors, so you don't have to bother with setting up the station's address manually.

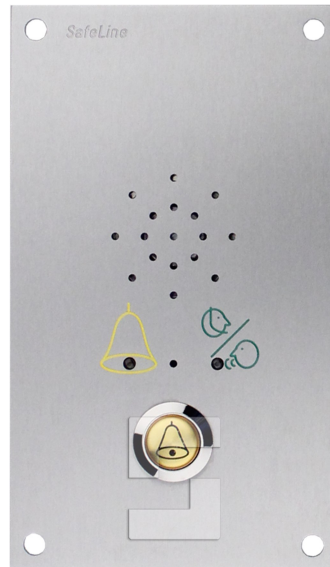
This version of the voice station is delivered with a front plate for flush mounting on the wall of the lift car – a stylish option which saves physical space in the lift car, while at the same time protecting the unit from vandalism. Besides the units' already integrated pictograms, there is also possibilities to connect external pictograms for further choices.

## Technical information

Very compact and flexible design  
Only 2 address selectors  
Backlit pictogram lenses  
Connection of external pictograms possible  
Input for alarm button

## Technical data





## SafeLine SL6 voice station, flush mounting with LED pictograms & alarm button

\*SLB-REC-PIC-BUT

### The original-sized voice station with up to six assignable addresses

The original-sized version of the voice station intended for flush mounting on the car wall, equipped with LED pictograms and an integrated alarm button. An all-in-one option letting you save both physical space in the lift car as well as keeping the unit safe from vandalism.

Use either as an ordinary voice station or as part of a fire intercom system. Assign the station an identity by using the address selector and configure the main unit SL6 to match your desired setup.

## Technical information

Sleek and safe design  
Up to six assignable addresses  
All-in-one solution  
Connection of external pictograms possible

## Technical data

### Current consumption

15mA nominal

### Effect

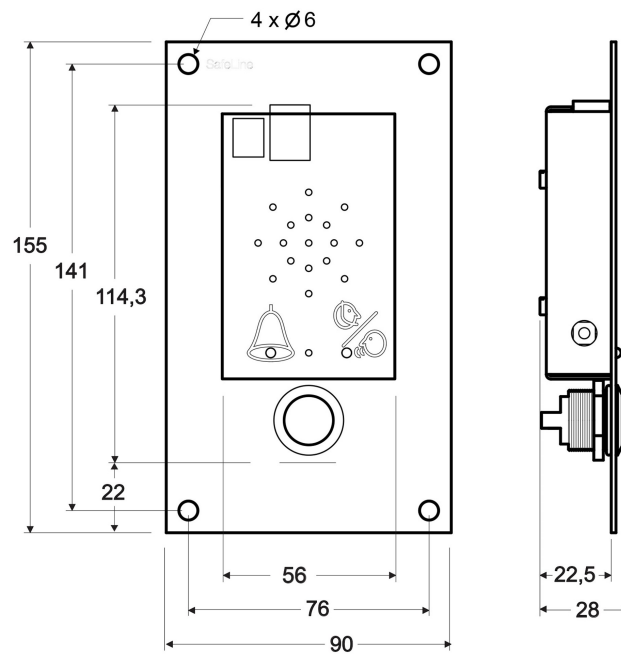
0,18W

### Size (HxWxD)

155 x 90 x 28 mm

### Weight

430g





## **SafeLine SL6 voice station, COP mounting with microphone & speaker separated**

\*SLB-COP-SEP

### **The voice station for the car with limited space behind car operating panel**

A voice station suited for installation behind the car operating panel with limited depth to spare. The station is delivered with microphone and speaker separated, with the speaker on the side, to minimize the unit's depth.

## Technical information

Flexible installation

Only 18 mm depth behind COP

Possible to connect external pictograms and emergency button through RJ45

## Technical data

### Current consumption

15mA nominal

### Effect

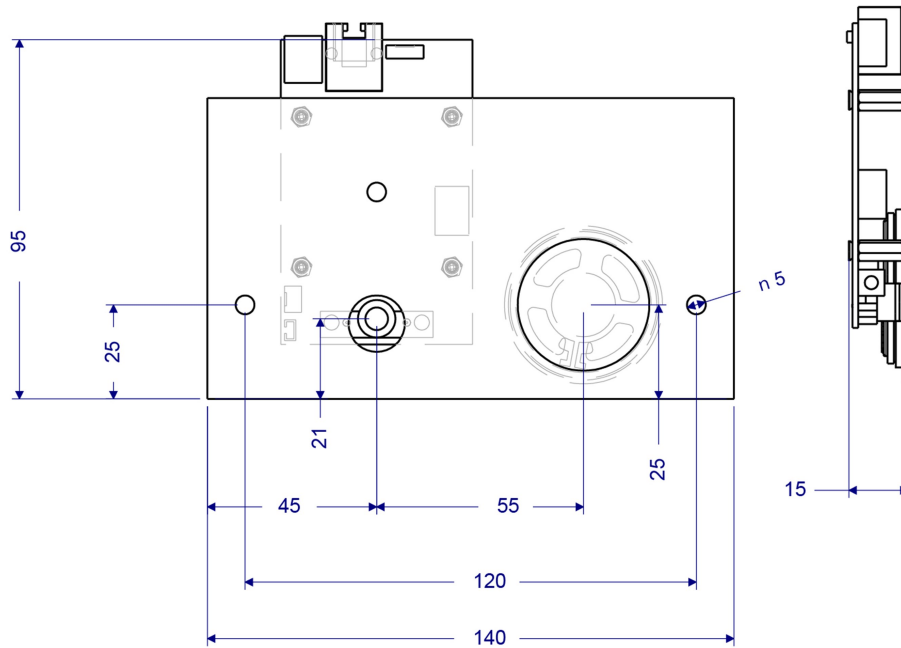
0,18W

### Size (HxWxD)

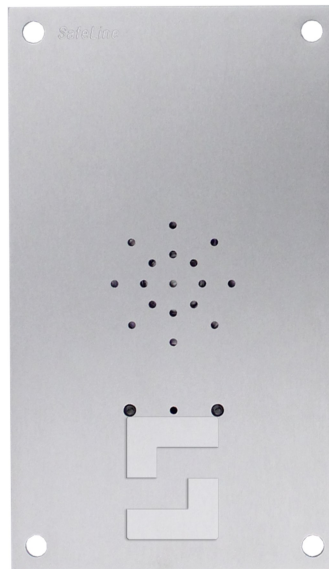
120 x 140 x 18 mm

### Weight

470g







## SafeLine SL6 voice station, flush mounting

\*SLB-REC

### **The original voice station for the SL6 with up to six assignable addresses**

The original version of the voice station, without pictograms and LED's, letting you easily integrate the station with existing pictograms and/or button with the supplied RJ45 cable.

Delivered with a front plate for flush mounting on car wall, saving both physical space as well as keeping the unit safe from vandalism.

Use either as an ordinary voice station or as part of a fire intercom system. Assign the station an identity by using the address selector and configure the main unit SL6 to match your desired setup.

## Technical information

Sleek and safe design

Up to six assignable addresses

Connect easily with included RJ45 cable

No integrated pictograms on front plate

Connection of external pictograms possible

## Technical data

### Current consumption

15mA nominal

### Effect

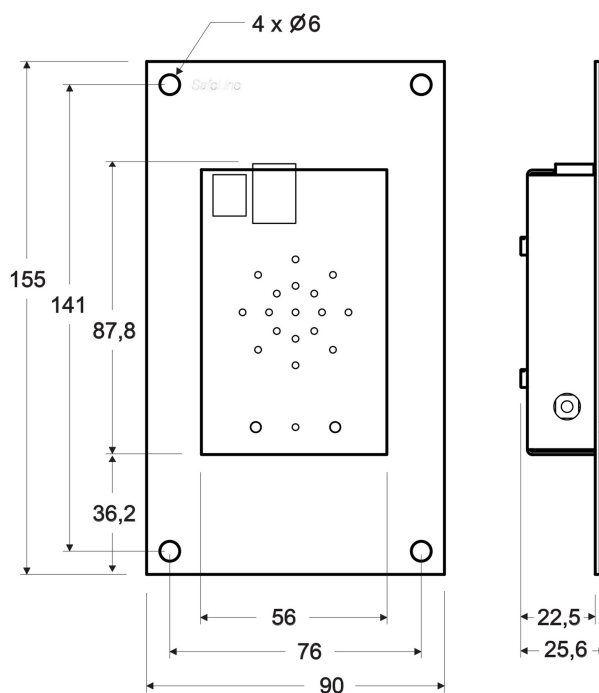
0,18W

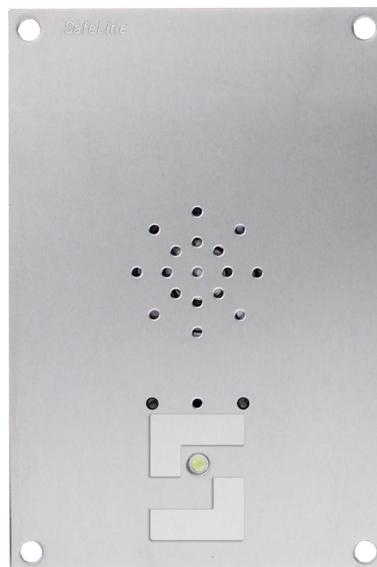
### Size (HxWxD)

155 x 90 x 26 mm

### Weight

430g





## SafeLine SL6 voice station, flush mounting with emergency LED

\*SLB-REC-LED

### **The original-sized voice station with up to six assignable addresses**

The front plate is mounted using four screws. LED's for external pictograms and an emergency button can easily be connected using the included RJ45 cable.

SLB-Rec-LED can be used as a voice station in the car only or as a part of a fire intercom system. Assign the station an identity by using the address selector on the short side of the unit and configure the main unit SL6 to match your desired setup.

## Technical information

Sleek and safe design  
Up to six assignable addresses  
Connect easily with included RJ45 cable  
Connection of external pictograms possible

## Technical data

### Current consumption

15mA nominal

### Effect

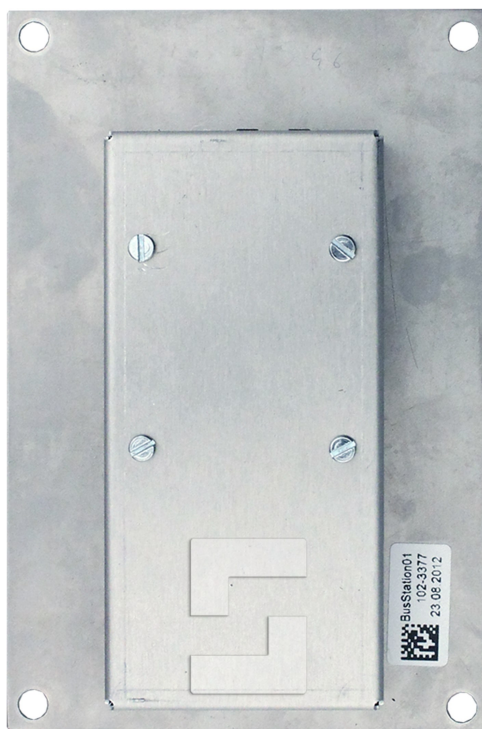
0,18W

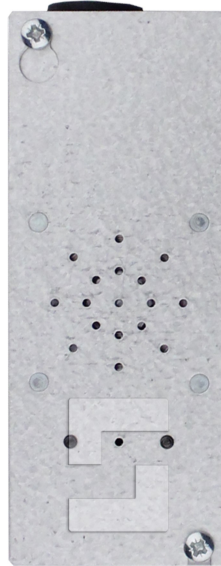
### Size (HxWxD)

150 x 100 x 26 mm

### Weight

460g





## SafeLine SL6 voice station, for car top/lift pit

\*SLB-RD

### The voice station for easier maintenance

The station letting service technicians communicate with the main unit in the machine room via intercom when performing maintenance. Can be placed on top of the car or in the lift pit depending on preference.

## Technical information

Intercom communication for car top/pit

Robust metal housing

## Technical data

### Current consumption

15mA nominal

### Effect

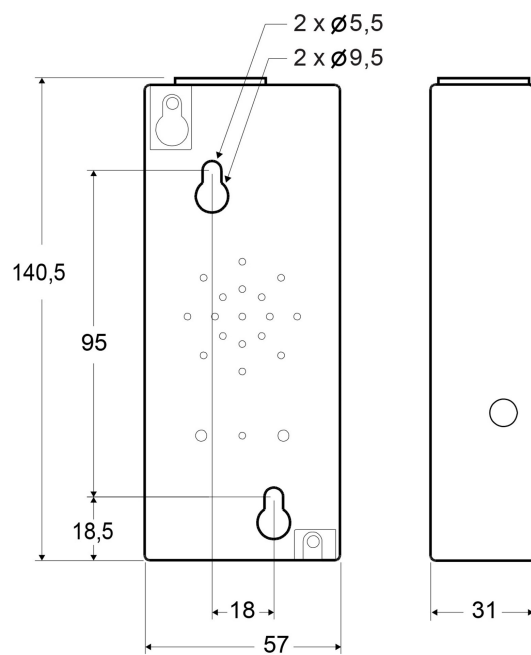
0,18W

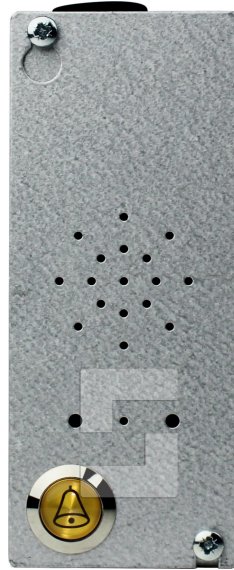
### Size (HxWxD)

141 x 57 x 31 mm

### Other

Pictograms: Max 100mA 24VDC  
Transistor outputs.





## SafeLine SL6 voice station, for car top/lift pit with button

\*SLB-RD-BUT

### **The voice station for easier maintenance**

The station letting service technicians communicate with the main unit in the machine room via intercom when performing maintenance. Also equipped with an alarm button for service technicians to use in case of emergency. Can be placed on top of the car or in the lift pit depending on preference.

## Technical information

Intercom for car top/pit  
Emergency alarm button  
Robust metal housing

## Technical data

### Current consumption

15mA nominal

### Effect

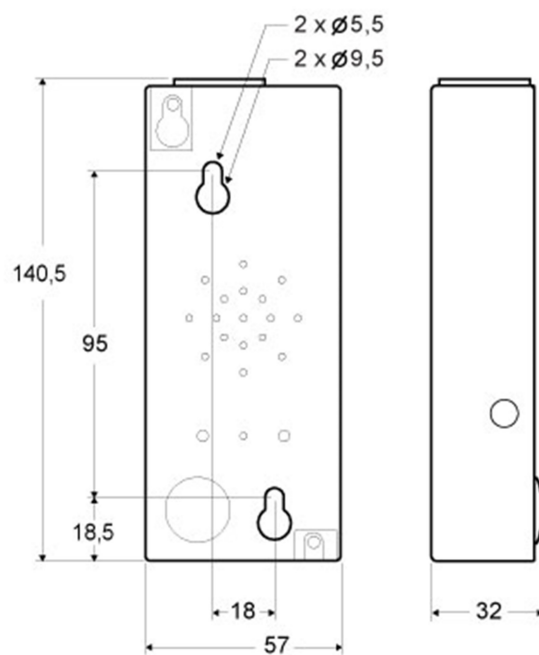
0,18W

### Size (HxWxD)

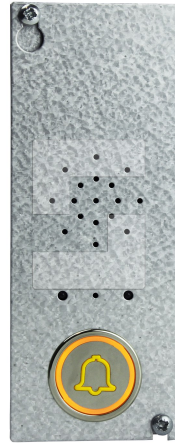
141 x 57 x 32mm

### Weight

450g







## SafeLine SL6 voice station, for car top/lift pit with LED light button

\*SLB-RD-BL

### The service station with a light button

The station letting service technicians communicate with the main unit in the machine room via intercom when performing maintenance. Also equipped with a LED lit alarm button for extra visibility for service technicians to use in case of emergency. Can be placed on top of the car or in the lift pit depending on preference.

## Technical information

Intercom for car top/lift pit  
Only 2 address selectors  
LED lit alarm button for extra visibility  
Robust metal housing

## Technical data

**Size (HxWxD)**

162 x 32 x 34 mm

