

MAIN FEATURES

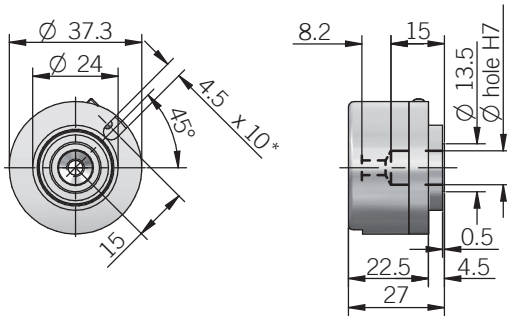
∅ 36 mm encoder series recommended in feedback control systems on AC servomotors, interchangeable with size 15 Resolver in the back of the motor.

- 6 channels encoder with optical generation of “Hall effect phases” (commutation signals)
- Signal transmission by bit parallel bus
- Easy mechanical mounting
- Small dimensions
- Wide range of resolutions available
- High temperature resistance



ORDERING CODE	EF	36K	4	L	512	S	5	L	8	X	6	PR	.XXX
SERIES incremental encoder with Hall phases EF													
MODEL blind hollow shaft with rear fixing 36K													
MOTOR POLES 4 poles (2 poles pair) 4 6 poles (3 poles pair) 6 8 poles (4 poles pair) 8													
ELECTRICAL INTERFACE FOR COMMUTATION SIGNALS NPN open collector C line driver RS-422 L													
INCREMENTAL RESOLUTION ppr from 500 to 1024 refer to the available pulses list													
ZERO PULSE without zero pulse S with zero pulse Z													
POWER SUPPLY 5 V DC 5													
ELECTRICAL INTERFACE FOR INCREMENTAL SIGNALS line driver RS-422 L													
BORE DIAMETER mm 8 (3/8") mm 9,52 mm 10													
ENCLOSURE RATING IP 40 X													
MAX ROTATION SPEED 6000 rpm 6													
OUTPUT TYPE radial cable (standard length 0,3 m) PR preferred cable lengths 1,5 / 2 / 3 / 5 / 10 m, to be added after OUTPUT TYPE (eg. PR5)													
VARIANT custom version XXX													

36 K



* \varnothing 4 mm torque pin min 0.5mm from bottom end

for size 15 Resolver flange please refer to Accessories

dimensions in mm

ELECTRICAL SPECIFICATIONS

Incremental resolution	from 500 to 1024 ppr
Power supply¹	4,5 ... 5,5 V DC
Current consumption without load	150 mA max
Max load current	20 mA / channel (line driver RS-422) 30 mA / channel (NPN open collector)
Electrical interface for incremental signals²	line driver RS-422 (AELT-5000 or equivalent)
Electrical interface for Hall phases²	NPN open collector (pull-up max +30V DC) line driver RS-422 (AELT-5000 or equivalent)
Max output frequency	150 kHz
Counting direction	A leads B clockwise (shaft view)
Electromagnetic compatibility	according to 2014/30/EU directive
RoHS	according to 2015/863/EU directive
UL / CSA	certificate n. E212495

CONNECTIONS

Function	Cable
+V DC	red
0 V	black
A+	green
B+	yellow
Z+	blue
A-	brown
B-	orange or pink
Z-	white
U+	grey
V+	violet
W+	grey-pink
U-	red-blue
V-	white-green
W-	brown-green
⊥	shield

MECHANICAL SPECIFICATIONS

Bore diameter	\varnothing 8 / 9,52 (3/8") / 10 mm
Enclosure rating	IP 40 (IEC 60529)
Max rotation speed	6000 rpm
Shock	50 G, 11 ms (IEC 60068-2-27)
Vibration	5 G, 10 ... 500 Hz (IEC 60068-2-6)
Moment of inertia	$0,5 \times 10^{-6}$ kgm ² (12×10^{-6} lbft ²)
Starting torque (at +20°C / +68°F)	< 0,01 Nm (1,42 Ozin)
Bearing stage material	EN-AW 2011 aluminum
Shaft material	1.4305 / AISI 303 stainless steel
Housing material	EN-AW 2011 aluminum
Bearings	n.2 ball bearings
Bearings life	10 ⁹ revolutions
Operating temperature^{3,4}	-10° ... +85°C (+14° ... +185°F)
Storage temperature⁴	-25° ... +85°C (-13° ... +185°F)
Weight	150 g (5,29 oz)

¹ as measured at the transducer without cable influences

² for further details refer to OUTPUT LEVELS on TECHNICAL BASICS section

³ measured on the transducer flange

⁴ condensation not allowed

RESOLUTIONS

500 4 / 6 poles
512 4 / 6 poles
1000 6 / 8 poles
1024 4 / 6 / 8 poles

please directly contact our offices for other pulses