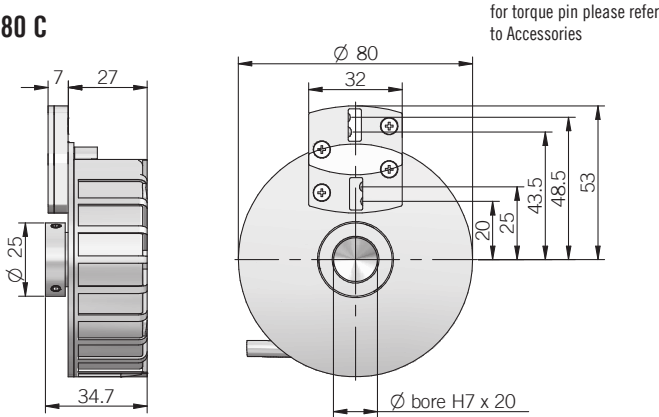
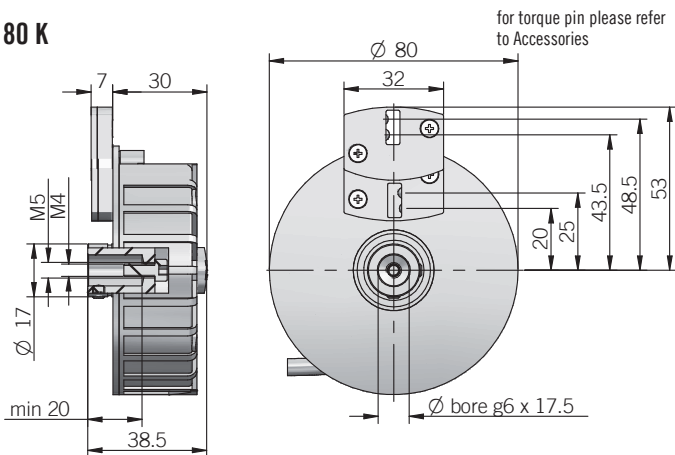




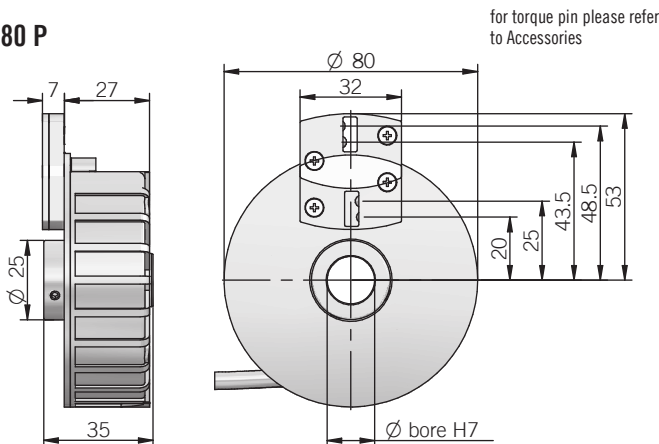
80 C



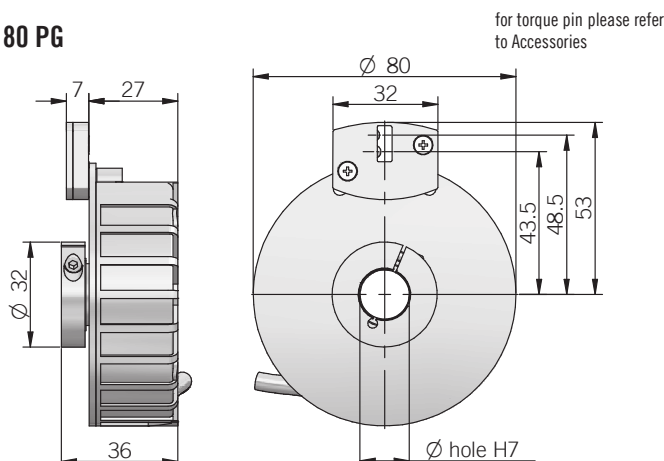
80 K



80 P



80 PG



dimensions in mm

ELECTRICAL SPECIFICATIONS

|   |   |
|---|---|
| <b>Resolution</b>                       | from 1 to 2048 ppr  |
| <b>Power supply<sup>1</sup></b>         | 5 = 4,5 ... 5,5 V DC<br>5/28 = 4,5 ... 30 V DC (reverse polarity protection)  |
| <b>Power draw without load</b>          | 800 mW max  |
| <b>Max load current</b>                 | C / P = 50 mA / channel<br>L / RS = 20 mA / channel   |
| <b>Electrical interface<sup>2</sup></b> | NPN open collector (AEIC-7273, pull-up max +30 V DC)<br>push-pull / line driver HTL (AEIC-7272)<br>line driver RS-422 (AELT-5000 or equivalent) |
| <b>Max output frequency</b>             | 105 kHz   |
| <b>Counting direction</b>               | A leads B clockwise (shaft view)  |
| <b>Electromagnetic compatibility</b>    | according to 2014/30/EU directive   |
| <b>RoHS</b>                             | according to 2015/863/EU directive  |
| <b>UL / CSA</b>                         | certificate n. E212495  |

MECHANICAL SPECIFICATIONS

|  |  |
|--|--|
| <b>Bore diameter</b>                       | ∅ 8 / 10 / 12 / 14 / 15 mm   |
| <b>Enclosure rating</b>                    | IP 64 (IEC 60529)  |
| <b>Max rotation speed</b>                  | 3000 rpm (mod.P / PG)<br>6000 rpm (mod.C / K)                                      |
| <b>Shock</b>                               | 50 G, 11 ms (IEC 60068-2-27)   |
| <b>Vibration</b>                           | 20 G, 10 ... 2000 Hz (IEC 60068-2-6)   |
| <b>Moment of inertia</b>                   | 4 x 10 <sup>-6</sup> kgm <sup>2</sup> (95 x 10 <sup>-6</sup> lbf <sup>2</sup> )    |
| <b>Starting torque (at +20°C / +68°F)</b>  | < 0,04 Nm (5,66 Ozin)  |
| <b>Bearing stage material</b>              | PA66 glass fiber reinforced  |
| <b>Shaft material</b>                      | EN-AW 2011 aluminum (mod. C / K)<br>1.4305 / AISI 303 stainless steel (mod.P / PG) |
| <b>Housing material</b>                    | PA66 glass fiber reinforced  |
| <b>Bearings</b>                            | n.2 ball bearings  |
| <b>Bearings life</b>                       | 10 <sup>9</sup> revolutions  |
| <b>Operating temperature<sup>3,4</sup></b> | -20° ... +85 °C (-4° ... +185°F)<br>-20° ... +100°C (-4° ... +212°F) on demand     |
| <b>Storage temperature<sup>4</sup></b>     | -25° ... +85 °C (-13° ... +185°F)  |
| <b>Weight</b>                              | 250 g (8,82 oz)  |

<sup>1</sup> as measured at the transducer without cable influences

<sup>2</sup> for further details refer to OUTPUT LEVELS on TECHNICAL BASICS section

<sup>3</sup> measured on the transducer flange

<sup>4</sup> condensation not allowed

CONNECTIONS

| Function | Cable C / P | Cable L / RS  |
|----------|-------------|---------------|
| +V DC    | red         | red           |
| 0 V      | black       | black         |
| A+       | green       | green         |
| A-       | /           | brown or grey |
| B+       | yellow      | yellow        |
| B-       | /           | orange        |
| Z+       | blue        | blue          |
| Z-       | /           | white         |
| ⊖        | shield      | shield        |

RESOLUTIONS

100\* - 200 - 250 - 256 - 360 - 400 - 500 - 512 - 600 - 1000 - 1024 - 2000 - 2048

\*available without zero pulse  
please directly contact our offices for other pulses, preferred resolutions in bold