

MAIN FEATURES

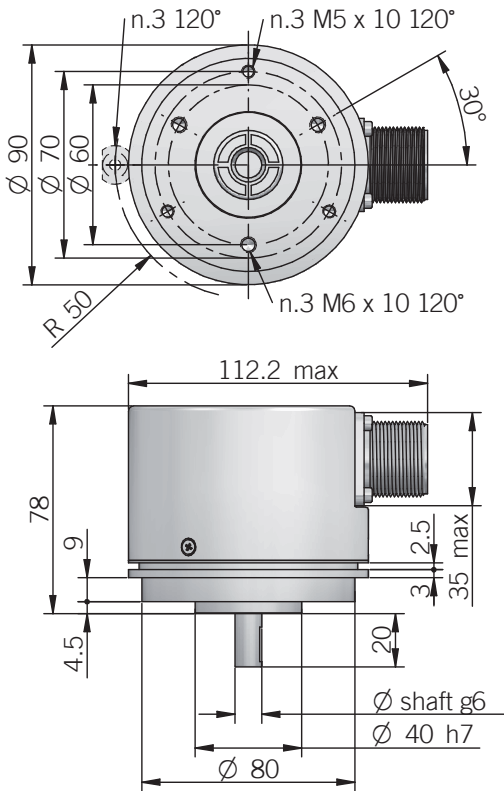
Encoder series for harsh environments with high mechanical resistance requirements. Model 90 can be mounted by flanges or fixing clamps; model 115 has a tachometer generator REO-444 type compatible plug.

- 3 channel encoder (A / B / Z) up to 10000 ppr
- Power supply up to +28 V DC with several electrical interfaces available
- Up to 500 kHz output frequency
- Cable or connector output
- Metal cover for heavy duty applications
- Solid shaft diameter up to 11 mm
- Mounting by synchronous or REO-444 flange

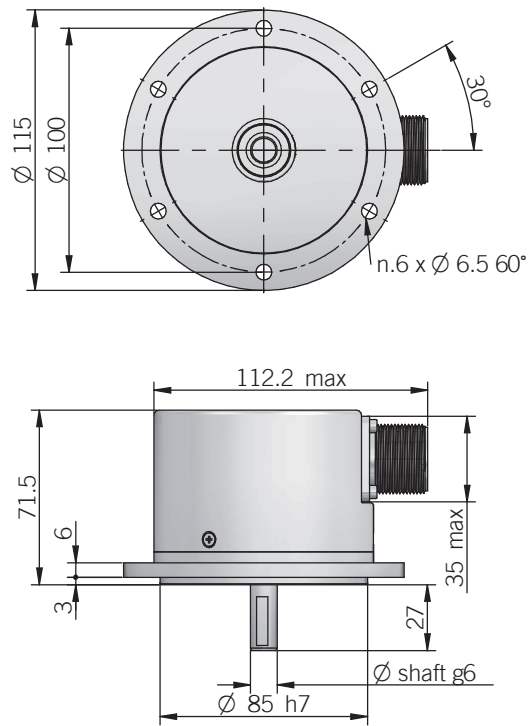


ORDERING CODE	ER	90A	500	S	5/28	P	8	X	6	P	R	.XXX
<p>SERIES incremental encoder series EL incremental encoder series ER</p> <p>MODEL synchronous flange \varnothing 40 mm 90A flange REO-444 115A</p> <p>RESOLUTION ppr from 1 to 10000 refer to the available pulses list</p> <p>ZERO PULSE without zero pulse S with zero pulse Z</p> <p>POWER SUPPLY (with L electrical interface) 5 V DC 5 5 ... 28 V DC 5/28</p> <p>ELECTRICAL INTERFACE NPN open collector C push-pull P line driver L power supply 5/28V - output RS-422 RS</p> <p>SHAFT DIAMETER (mod. 90) mm 8 (mod. 90) (3/8") mm 9,52 mm 10 (mod. 115) mm 11</p> <p>ENCLOSURE RATING IP 54 X (mod. 90) IP 66 S</p> <p>MAX ROTATION SPEED (IP 66) 3000 rpm 3 (IP 54) 6000 rpm 6</p> <p>OUTPUT TYPE cable (standard length 1.5 m) P preferred cable lengths 2 / 3 / 5 / 10 m, to be added after DIRECTION TYPE (eg. PR5) MIL connector M JIS-C-5432 connector J female connector included, without female please add 162 as variant code</p> <p>DIRECTION TYPE axial A radial R</p> <p>VARIANT custom version XXX</p>												

90 A

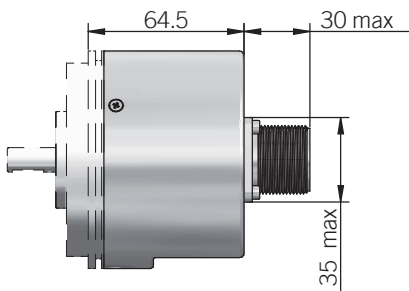


115 A

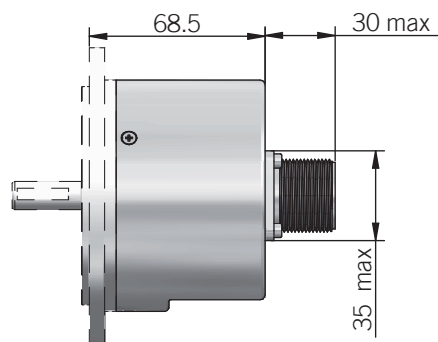


fixing clamps not included, please refer to Accessories

90 A axial output



115 A axial output



dimensions in mm

ELECTRICAL SPECIFICATIONS

Resolution	from 1 to 10000 ppr
Power supply¹	5 = 4,5 ... 5,5 V DC 5/28 = 4,5 ... 30 V DC (reverse polarity protection)
Power draw without load	800 mW
Max load current	C / P = 50 mA / channel L / RS = 20 mA / channel
Electrical interface²	NPN open collector (AEIC-7273, pull-up max +30 V DC) push-pull / line driver HTL (AEIC-7272) line driver RS-422 (AELT-5000 or equivalent)
Max output frequency	250 kHz up to 6000 ppr 500 kHz from 7200 ppr
Counting direction	A leads B clockwise (shaft view)
Electromagnetic compatibility	according to 2014/30/EU directive
RoHS	according to 2015/863/EU directive
UL / CSA	certificate n. E212495

EL SERIES RESOLUTIONS

1 - 2 - 4 - 5 - 10 - 15 - 16 - 20 - 25 - 30 - 32 - 40 - 50 - 60 - 70 - 80 - 90 - 160 - 180 - 350 - 450 - 660 - 700 - 750 - 1500

ER SERIES RESOLUTIONS

100 - 120 - 128 - 150 - 200 - 240 - 250 - 256 - 300 - **360** - 400 - 480 - **500** - **512** - **600** - 625 - **720** - 800 - 900 - **1000** - **1024** - 1200 - 1250 - 1440 - 1600 - 1800 - **2000** - **2048** - **2500** - 3000 - **3600** - 4000 - 4096 - **5000** - 6000 - **7200** - 8000 - 8192 - 9000 - **10000**

please directly contact our offices for other pulses, preferred resolutions in bold

MECHANICAL SPECIFICATIONS

Shaft diameter	∅ 8 / 9,52 (3/8") / 10 / 11 mm
Enclosure rating	X = IP 54 (IEC 60529) S = IP 66 (IEC 60529)
Max rotation speed	IP 54 - 6000 rpm IP 66 - EL 3000 rpm / 60° C ER 3000 rpm / 70° C - 2000 rpm / 85° C
Max shaft load³	200 N axial / radial
Shock	50 G, 11 ms (IEC 60068-2-27)
Vibration	10 G, 10 ... 2000 Hz (IEC 60068-2-6)
Moment of inertia	3,5 x 10 ⁻⁶ kgm ² (83 x 10 ⁻⁶ lbfm ²)
Starting torque (at +20°C / +68°F)	< 0,02 Nm (2,83 Ozin) IP 54 < 0,06 Nm (8,50 Ozin) IP 66
Bearing stage material	EN-AW 2011 aluminum
Shaft material	1.4305 / AISI 303 stainless steel
Housing material	PA66 glass fiber reinforced / painted aluminum
Bearings	n.2 ball bearings
Bearings life	10 ⁹ revolutions
Operating temperature^{4,5}	-10° ... +60°C (+14° ... +140°F) EL series -25° ... +85°C (-13° ... +185°F) ER series
Storage temperature⁵	-25° ... +70°C (-13° ... +158°F)
Weight	350 g (12,35 oz) 450 g (15,87 oz) with metal cover

¹ as measured at the transducer without cable influences

² for further details refer to OUTPUT LEVELS on TECHNICAL BASICS section

³ maximum load for static usage

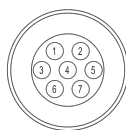
⁴ measured on the transducer flange

⁵ condensation not allowed

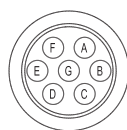
CONNECTIONS

Function	Cable C / P	Cable L / RS	7 pin J C / P	7 pin J L / RS no Zero	7 pin M C / P	7 pin M L / RS no Zero	10 pin J L / RS with Zero	10 pin M L / RS with Zero
+V DC	red	red	6	4	F	D	4 - 5	D - E
0 V	black	black	1	6	A	F	6	F
A+	green	green	3	1	C	A	1	A
A-	/	brown or grey	/	3	/	C	7	G
B+	yellow	yellow	5	2	E	B	2	B
B-	/	orange	/	5	/	E	8	H
Z+	blue	blue	4	/	D	/	3	C
Z-	/	white	/	/	/	/	9	I
≡	shield	shield	7	7	G	G	10	J

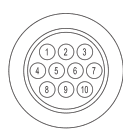
J connector (7 pin)
JIS-C-5432 Size 16
solder side view FV



M connector (7 pin)
Amphenol MS3102-E-16-S
solder side view FV



J connector (10 pin)
JIS-C-5432 Size 16
solder side view FV



M connector (10 pin)
Amphenol MS3102-E-18-1
solder side view FV

