
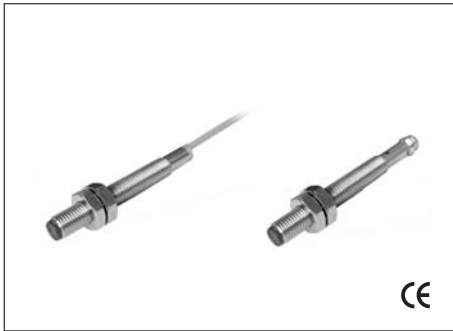



# M8 DC PHOTOELECTRIC SENSORS

Type	M8	M8		
Sensing mode	Through-beam mode	Through-beam mode		
Sensing picture				
Switching distance(sn)	80mm	150mm		
Picture				
Nominal Voltage	10-30VDC	10-30VDC		
Residual Ripple	≤10%	≤10%		
Tolerance	±10%Sn	±10%Sn		
Hysteresis	10%	10%		
Emission	Red(660nm)	Infrared(880nm)		
Output	NPN or PNP	NPN or PNP		
Contact	Light on or Dark on	Light on or Dark on		
Max. Output Current	150mA	150mA		
No Load Current	30mA or less	30mA or less		
Voltage Drop(Sensor On)	≤2.5V	≤2.5V		
Sensitivity Adjustment	-	-		
Response Time	1mS	1mS		
Short Circuit Protection	Yes	Yes		
Electric Protections	Yes	Yes		
Temperature Limits	-25 ~ +55°C	-25 ~ +55°C		
Ambient humidity	35 to 85% RH	35 to 85% RH		
Light Immunity	>10.000Lux	>10.000Lux		
Protection Degree	IP67	IP67		
Housing Material	Stainless Steel or Nickel plated brass	Stainless Steel or Nickel plated brass		
Sensing object	φ 8mm or more	φ 8mm or more		
Wiring diagram(see page 21-16)				
Brass Housing	Emitter :	F1CTM080080DER2B2 <b>A5</b> F1CTM080080DERPB4 <b>A6</b>	F1CTM080150DEI2B2 <b>A5</b> F1CTM080150DEIPB4 <b>A6</b>	
	NPN Light on	F1CTM080080NLR3A2 <b>A1</b> F1CTM080080NLRPA4 <b>A2</b>	F1CTM080150NLI3A2 <b>A1</b> F1CTM080150NLIPA4 <b>A2</b>	
	NPN Dark on	F1CTM080080NDR3A2 <b>A1</b> F1CTM080080NDRPA4 <b>A2</b>	F1CTM080150NDI3A2 <b>A1</b> F1CTM080150NDIPA4 <b>A2</b>	
	PNP Light on	F1CTM080080PLR3A2 <b>A3</b> F1CTM080080PLRPA4 <b>A4</b>	F1CTM080150PLI3A2 <b>A3</b> F1CTM080150PLIPA4 <b>A4</b>	
	PNP Dark on	F1CTM080080PDR3A2 <b>A3</b> F1CTM080080PDRPA4 <b>A4</b>	F1CTM080150PDI3A2 <b>A3</b> F1CTM080150PDIPA4 <b>A4</b>	
Stainless Steel Housing	Emitter :	F1CTU080080DER2B2 <b>A5</b> F1CTU080080DERPB4 <b>A6</b>	F1CTU080150DEI2B2 <b>A5</b> F1CTU080150DEIPB4 <b>A6</b>	
	NPN Light on	F1CTU080080NLR3A2 <b>A1</b> F1CTU080080NLRPA4 <b>A2</b>	F1CTU080150NLI3A2 <b>A1</b> F1CTU080150NLIPA4 <b>A2</b>	
	NPN Dark on	F1CTU080080NDR3A2 <b>A1</b> F1CTU080080NDRPA4 <b>A2</b>	F1CTU080150NDI3A2 <b>A1</b> F1CTU080150NDIPA4 <b>A2</b>	
	PNP Light on	F1CTU080080PLR3A2 <b>A3</b> F1CTU080080PLRPA4 <b>A4</b>	F1CTU080150PLI3A2 <b>A3</b> F1CTU080150PLIPA4 <b>A4</b>	
	PNP Dark on	F1CTU080080PDR3A2 <b>A3</b> F1CTU080080PDRPA4 <b>A4</b>	F1CTU080150PDI3A2 <b>A3</b> F1CTU080150PDIPA4 <b>A4</b>	
Dimensions (unit: mm)				
Connect	2m PVC (φ3x0.15mm <sup>2</sup> )	M8 Pico style	2m PVC (φ3x0.15mm <sup>2</sup> )	M8 Pico style
Weight	Approx.60 g	Approx.35g	Approx.60 g	Approx.35g

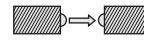
# M8 DC PHOTOELECTRIC SENSORS

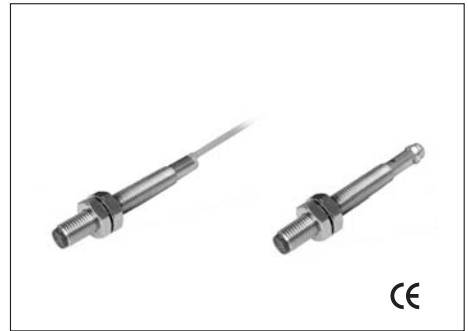
M8
Through-beam mode

500mm



M8
Through-beam mode

1000mm



M8
Through-beam mode

3000mm



10-30VDC
≤10%
±10%Sn
10%
Infrared(880nm)
NPN or PNP
Light on or Dark on
150mA
30mA or less
≤2.5V
-
1mS
Yes
Yes
-25 ~ +55°C
35 to 85% RH
>10.000Lux
IP67
Stainless Steel or Nickel plated brass
φ8mm or more

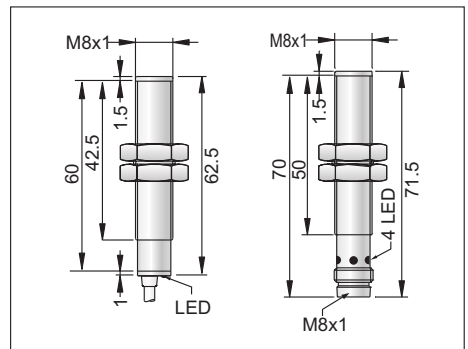
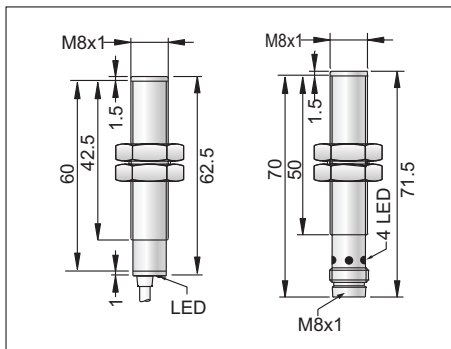
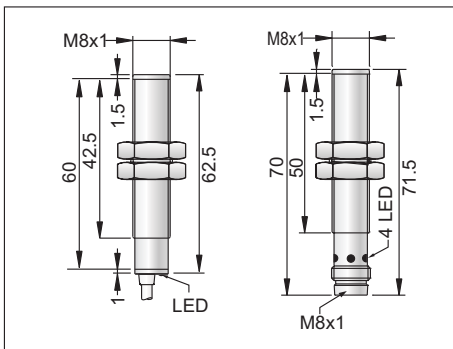
10-30VDC
≤10%
±10%Sn
10%
Infrared(880nm)
NPN or PNP
Light on or Dark on
150mA
30mA or less
≤2.5V
-
1mS
Yes
Yes
-25 ~ +55°C
35 to 85% RH
>10.000Lux
IP67
Stainless Steel or Nickel plated brass
φ8mm or more

10-30VDC
≤10%
±10%Sn
10%
Infrared(880nm)
NPN or PNP
Light on or Dark on
150mA
30mA or less
≤2.5V
-
1mS
Yes
Yes
-25 ~ +55°C
35 to 85% RH
>10.000Lux
IP67
Stainless Steel or Nickel plated brass
φ8mm or more

F1CTM080500DEI2B2 <b>A5</b>	F1CTM080500DEIPB4 <b>A6</b>
F1CTM080500NLI3A2 <b>A1</b>	F1CTM080500NLIPA4 <b>A2</b>
F1CTM080500NDI3A2 <b>A1</b>	F1CTM080500NDIPA4 <b>A2</b>
F1CTM080500PLI3A2 <b>A3</b>	F1CTM080500PLIPA4 <b>A4</b>
F1CTM080500PDI3A2 <b>A3</b>	F1CTM080500PDIPA4 <b>A4</b>
F1CTU080500DEI2B2 <b>A5</b>	F1CTU080500DEIPB4 <b>A6</b>
F1CTU080500NLI3A2 <b>A1</b>	F1CTU080500NLIPA4 <b>A2</b>
F1CTU080500NDI3A2 <b>A1</b>	F1CTU080500NDIPA4 <b>A2</b>
F1CTU080500PLI3A2 <b>A3</b>	F1CTU080500PLIPA4 <b>A4</b>
F1CTU080500PDI3A2 <b>A3</b>	F1CTU080500PDIPA4 <b>A4</b>

F1CTM081000DEI2B2 <b>A5</b>	F1CTM081000DEIPB4 <b>A6</b>
F1CTM081000NLI3A2 <b>A1</b>	F1CTM081000NLIPA4 <b>A2</b>
F1CTM081000NDI3A2 <b>A1</b>	F1CTM081000NDIPA4 <b>A2</b>
F1CTM081000PLI3A2 <b>A3</b>	F1CTM081000PLIPA4 <b>A4</b>
F1CTM081000PDI3A2 <b>A3</b>	F1CTM081000PDIPA4 <b>A4</b>
F1CTU081000DEI2B2 <b>A5</b>	F1CTU081000DEIPB4 <b>A6</b>
F1CTU081000NLI3A2 <b>A1</b>	F1CTU081000NLIPA4 <b>A2</b>
F1CTU081000NDI3A2 <b>A1</b>	F1CTU081000NDIPA4 <b>A2</b>
F1CTU081000PLI3A2 <b>A3</b>	F1CTU081000PLIPA4 <b>A4</b>
F1CTU081000PDI3A2 <b>A3</b>	F1CTU081000PDIPA4 <b>A4</b>

F1CTM083000DEI2B2 <b>A5</b>	F1CTM083000DEIPB4 <b>A6</b>
F1CTM083000NLI3A2 <b>A1</b>	F1CTM083000NLIPA4 <b>A2</b>
F1CTM083000NDI3A2 <b>A1</b>	F1CTM083000NDIPA4 <b>A2</b>
F1CTM083000PLI3A2 <b>A3</b>	F1CTM083000PLIPA4 <b>A4</b>
F1CTM083000PDI3A2 <b>A3</b>	F1CTM083000PDIPA4 <b>A4</b>
F1CTU083000DEI2B2 <b>A5</b>	F1CTU083000DEIPB4 <b>A6</b>
F1CTU083000NLI3A2 <b>A1</b>	F1CTU083000NLIPA4 <b>A2</b>
F1CTU083000NDI3A2 <b>A1</b>	F1CTU083000NDIPA4 <b>A2</b>
F1CTU083000PLI3A2 <b>A3</b>	F1CTU083000PLIPA4 <b>A4</b>
F1CTU083000PDI3A2 <b>A3</b>	F1CTU083000PDIPA4 <b>A4</b>



2m PVC (φ3x0.15mm <sup>2</sup> )	M8 Pico style
Approx.60 g	Approx.35g

2m PVC (φ3x0.15mm <sup>2</sup> )	M8 Pico style
Approx.60 g	Approx.35g

2m PVC (φ3x0.15mm <sup>2</sup> )	M8 Pico style
Approx.60 g	Approx.35g