



## SafeLine MX3+, COP mounting with 3 mm LED pictograms

\*SLMX3-COP2

**The optimal lift safety solution for projects in need of easy and quick modernization**

This version of the MX3+ is delivered in COP-execution for mounting with adhesive tape behind the car's operating panel, for use with an already existing front panel and has LED pictograms for status indication.

The MX3+ is probably the world's smallest lift telephone on the market today and is the lift telephone system from SafeLine that requires the least amount of wiring possible. With just one unit necessary to fulfil the EN81-28 – it is undoubtedly our most installation-friendly choice to date and is perfect for projects or buildings with limited, or very limited physical space as well as buildings in need of quick and easy lift safety modernization.

Simply connect the MX3+ to a power source with the provided plug-and-play cables, mount the system in the lift car and configure it easily with the SafeLine LYNX app. Easily add an additional voice station if needed (for instance car roof station) for a fuller system – all with just one unit in the car.

## Technical information

One-unit system – minimum wiring  
Mounted easily with tape behind COP  
Compact size (depth: 13 mm)  
Built-in wireless configuration  
Connect extra voice station  
Connect external pictograms  
Adjustable delay for connection of calls  
Plug-and-play cables  
Up to nine telephones on one phone line

## Technical data

### Power supply

10-30 VDC

### Current consumption

50-160 mA, 12VDC

### IP

IP43

### Inputs

10-30 VDC

### Outputs

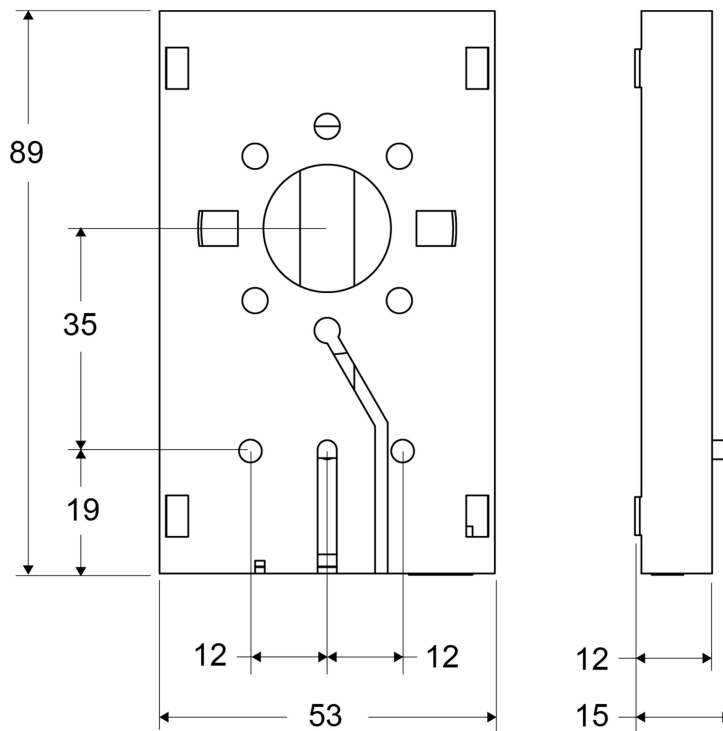
2x 12-24 VDC

### Size (HxWxD)

89 x 53 x 15 mm

### Other

Bluetooth 4.0, BLE 2,4 GHz





## SafeLine MX3+, COP mounting with pictogram lenses

\*SLMX3-COP

**The optimal lift safety solution for projects in need of easy and quick modernisation**

This version of the MX3+ is delivered in COP execution for mounting with adhesive tape behind the car's operating panel, for use with an already existing front panel.

The MX3+ is probably the world's smallest lift telephone on the market today and is the lift telephone system from SafeLine that requires the least amount of wiring possible. With just one unit necessary to fulfil the EN81-28 – it is undoubtedly our most installation-friendly choice to date and is perfect for projects or buildings with limited, or very limited physical space as well as buildings in need of quick and easy lift safety modernization.

Simply connect the MX3+ to a power source with the provided plug-and-play cables, mount the system in the lift car and configure it easily with the SafeLine LYNX app. Easily add an additional voice station if needed (for instance car roof station) for a fuller system – all with just one unit in the car.

## Technical information

One-unit system – minimum wiring  
Mounted easily with tape behind COP  
Compact size (depth: 13 mm)  
Built-in wireless configuration  
Connect extra voice station  
Connect external pictograms  
Adjustable delay for connection of calls  
Plug-and-play cables  
Up to nine telephones on one phone line

## Technical data

### Power supply

10-30 VDC

### Current consumption

50-160 mA, 12VDC

### IP

IP43

### Inputs

10-30 VDC

### Outputs

2x 12-24 VDC

### Size (HxWxD)

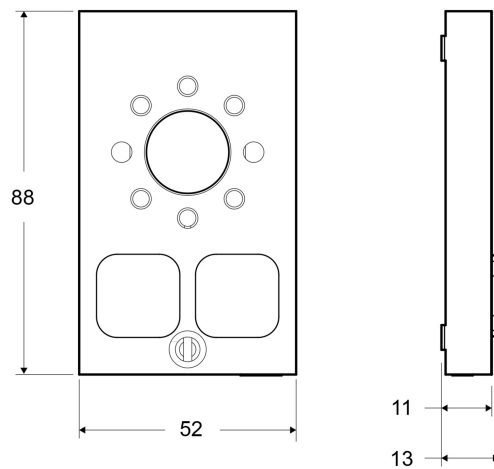
88 x 53 x 14 mm

### Weight

380 g

### Other

Bluetooth 4.0, BLE 2,4 GHz





## SafeLine MX3+, flush mounting

\*SLMX3-REC-PIC

### **The optimal lift safety solution for projects in need of easy and quick modernisation**

This version of the MX3+ is delivered with a front plate and integrated pictogram lenses for flush mounting. An integrated and discrete alternative that keeps the lift telephone safer from external damage.

The MX3+ is probably the world's smallest lift telephone on the market today and is the lift telephone system from SafeLine that requires the least amount of wiring possible. With just one unit necessary to fulfil the EN81-28 – it is undoubtedly our most installation-friendly choice to date and is perfect for projects or buildings with limited, or very limited physical space as well as buildings in need of quick and easy lift safety modernization.

Simply connect the MX3+ to a power source with the provided plug-and-play cables, mount the system in the lift car and configure it easily with the SafeLine LYNX app. Easily add an additional voice station if needed (for instance car roof station) for a fuller system – all with just one unit in the car.

## Technical information

One-unit system – minimum wiring  
Safe and discrete mounting  
Built-in wireless configuration  
Connect extra voice station  
Connect external pictograms  
Adjustable delay for connection of calls  
Plug-and-play cables  
Up to nine telephones on one phone line

## Technical data

### Power supply

10-30 VDC

### Current consumption

50-160 mA, 12VDC

### IP

IP43

### Inputs

10-30 VDC

### Outputs

2x 12-24 VDC

### Size (HxWxD)

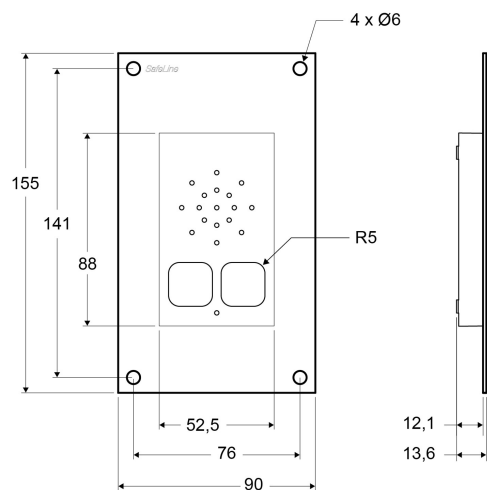
155 x 90 x 14 mm

### Weight

535 g

### Other

Bluetooth 4.0, BLE 2,4 GHz





## SafeLine MX3+, flush mounting with alarm button

\*SLMX3-REC-PICB

### **The optimal lift safety solution for projects in need of easy and quick modernisation**

This version of the MX3+ is delivered with a front plate, and an integrated alarm button for flush mounting. A discrete all-in-one alternative that keeps the lift telephone safer from external damage.

The MX3+ is probably the world's smallest lift telephone on the market today and is the lift telephone system from SafeLine that requires the least amount of wiring possible. With just one unit necessary to fulfil the EN81-28 – it is undoubtedly our most installation-friendly choice to date and is perfect for projects or buildings with limited, or very limited physical space as well as buildings in need of quick and easy lift safety modernization.

Simply connect the MX3+ to a power source with the provided plug-and-play cables, mount the system in the lift car and configure it easily with the SafeLine LYNX app. Easily add an additional voice station if needed (for instance car roof station) for a fuller system – all with just one unit in the car.

## Technical information

One-unit system – minimum wiring  
Integrated alarm button  
Safe and discrete mounting  
Built-in wireless configuration  
Connect extra voice station  
Connect external pictograms  
Adjustable delay for connection of calls  
Plug-and-play cables  
Up to nine telephones on one phone line

## Technical data

### Power supply

10-30 VDC

### Current consumption

50-160 mA, 12VDC

### Emergency signal button

10-30 VDC, 5 mA

### IP

IP43

### Inputs

10-30 VDC

### Outputs

2x 12-24 VDC

### Size (HxWxD)

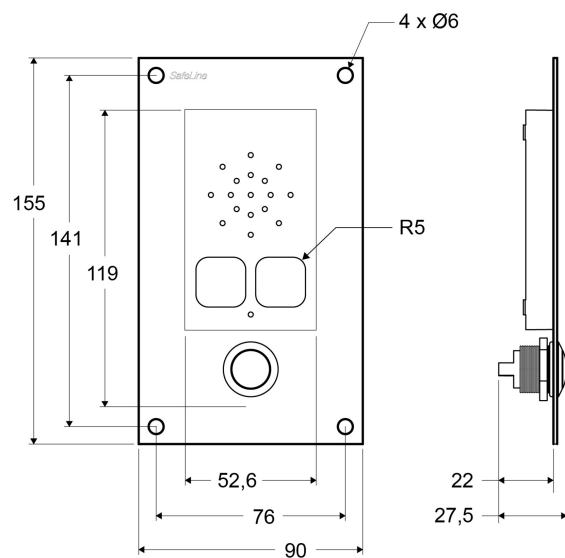
155 x 90 x 28 mm

### Weight

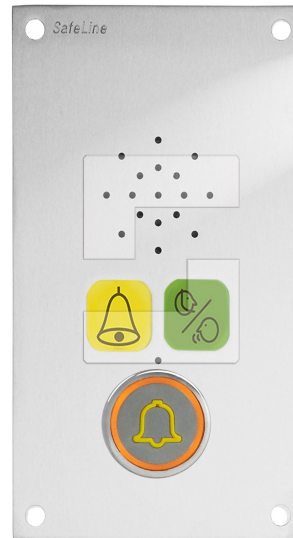
555 g

### Other

Bluetooth 4.0, BLE 2,4 GHz







## SafeLine MX3+, flush mounting with LED light button

\*SLMX3-REC-PBL

### **The optimal lift safety solution for projects in need of easy modernisation**

This version of the MX3+ is intended for flush mounting, a discrete and sleek alternative that keeps the lift telephone safer from external damage. The design features both integrated pictograms and an improved larger LED alarm button for increased safety awareness.

The MX3+ is probably the world's smallest lift telephone on the market today and is also the lift telephone system from SafeLine that requires the least amount of wiring possible. With just one unit necessary to fulfil EN 81-28, it is our most installation-friendly choice to date and is perfect for projects or buildings with limited, or very limited physical space.

Simply connect the MX3+ to a power source with the provided plug-and-play cables, mount the system in the lift car and configure it easily with the SafeLine LYNX app. Easily add an additional voice station if needed (for instance car roof station) for a fuller system – all with just one unit in the car.

Note: to light the station's LED button, an extra power source such as the GL6 or the UP2 is required

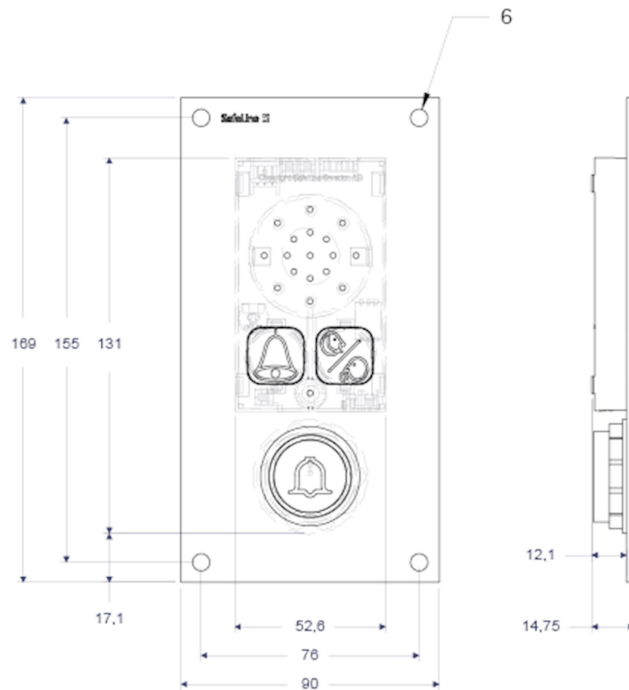
## Technical information

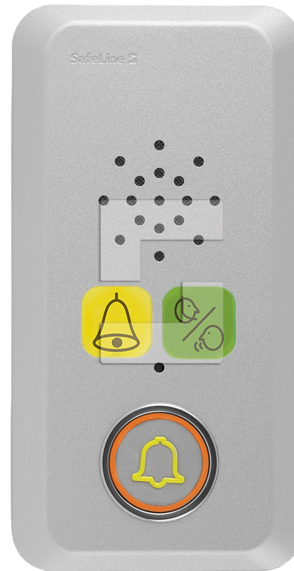
One-unit system – minimum wiring  
Compact size  
Alarm button with LED lighting  
Built-in wireless configuration  
Connect extra voice station  
Connect external pictograms  
Plug and play cables  
Up to nine telephones on one phone line

## Technical data

### Size (HxWxD)

169 x 90 x 15 mm





## SafeLine MX3+, surface mount design with LED light button

\*SLMX3-SMD-PICB

### **The optimal lift safety solution for projects in need of easy and quick modernisation**

This version of the MX3+ is intended for surface mounting, a quick mounting option with only two screws. The uniform-looking Surface Mount Design is a first of its kind and features both integrated pictograms and an improved larger LED alarm button for increased safety awareness.

The MX3+ is probably the world's smallest lift telephone on the market today and is also the lift telephone system from SafeLine that requires the least amount of wiring possible. With just one unit necessary to fulfil EN 81-28, it is our most installation-friendly choice to date and is perfect for projects or buildings with limited, or very limited physical space.

Simply connect the MX3+ to a power source with the provided plug-and-play cables, mount the system in the lift car and configure it easily with the SafeLine LYNX app. Easily add an additional voice station if needed (for instance car roof station) for a fuller system – all with just one unit in the car.

Note: to light the station's LED button, an extra power source such as the GL6 or the UP2 is required

## Technical information

One-unit system – minimum wiring  
Compact size  
LED light button  
Built-in wireless configuration  
Connect extra voice station  
Connect external pictograms  
Plug-and-play cables  
Up to nine telephones on one phone line

## Technical data

### Power supply

10-30 VDC

### Current consumption

50-160 mA at 12 VDC

### IP

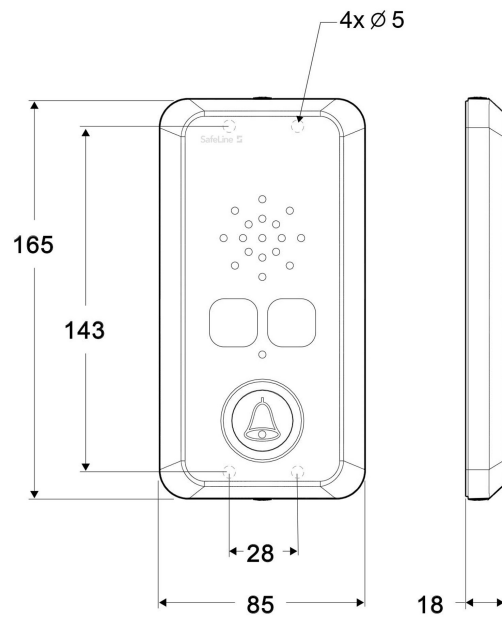
43

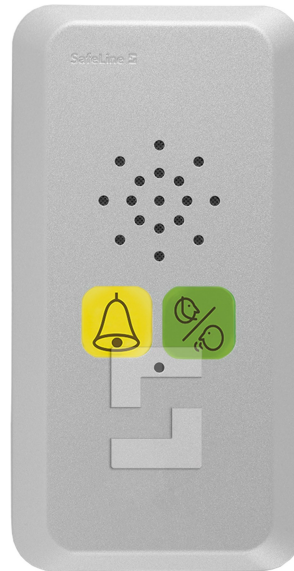
### Inputs

10-30 VDC

### Size (HxWxD)

165 x 85 x 18





## SafeLine MX3+, surface mount design with pictogram lenses

\*SLMX3-SMD-PIC

### **The optimal lift safety solution for projects in need of easy modernisation**

This version of the MX3+ is intended for surface mounting, a quick mounting option with only two screws. The uniform-looking Surface Mount Design is a first of its kind, featuring only integrated pictograms for connection with existing alarm button.

The MX3+ is probably the world's smallest lift telephone on the market today and is also the lift telephone system from SafeLine that requires the least amount of wiring possible. With just one unit necessary to fulfil EN 81-28, it is our most installation-friendly choice to date and is perfect for projects or buildings with limited, or very limited physical space.

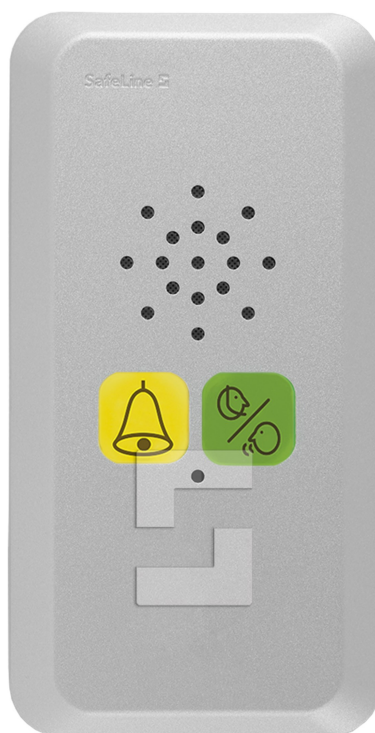
Simply connect the MX3+ to a power source with the provided plug-and-play cables, mount the system in the lift car and configure it easily with the SafeLine LYNX app. Easily add an additional voice station if needed (for instance car roof station) for a fuller system – all with just one unit in the car.

## Technical information

One-unit system – minimum wiring  
Compact size  
Built-in wireless configuration  
Connect extra voice station  
Connect external pictograms  
Plug and play cables  
Up to nine telephones on one phone line

## Technical data

**Size (HxWxD)**  
165 x 85 x 16 mm





## SafeLine MX3+, surface mounting

\*SLMX3-SM-PIC

**The optimal lift safety solution for projects in need of easy and quick modernisation**

This version of the MX3+ is delivered with a front plate and integrated pictogram lenses for surface mounting. A mounting option with only two screws that allows for a quick installation.

The MX3+ is probably the world's smallest lift telephone on the market today and is the lift telephone system from SafeLine that requires the least amount of wiring possible. With just one unit necessary to fulfil the EN81-28 – it is undoubtedly our most installation-friendly choice to date and is perfect for projects or buildings with limited, or very limited physical space as well as buildings in need of quick and easy lift safety modernization.

Simply connect the MX3+ to a power source with the provided plug-and-play cables, mount the system in the lift car and configure it easily with the SafeLine LYNX app. Easily add an additional voice station if needed (for instance car roof station) for a fuller system – all with just one unit in the car.

## Technical information

One-unit system – minimum wiring  
Quick mounting  
Built-in wireless configuration  
Connect extra voice station  
Connect external pictograms  
Adjustable delay for connection of calls  
Plug-and-play cables  
Up to nine telephones on one phone line

## Technical data

### Power supply

10-30 VDC

### Current consumption

50-160 mA, 12VDC

### IP

IP43

### Inputs

10-30 VDC

### Outputs

2x 12-24 VDC

### Size (HxWxD)

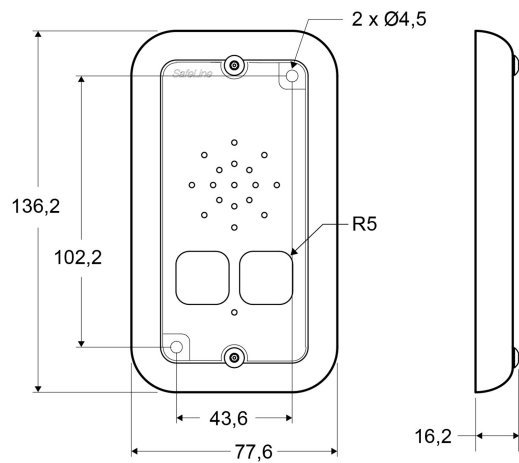
155 x 90 x 31 mm

### Weight

575 g

### Other

Bluetooth 4.0, BLE 2,4 GHz







## SafeLine MX3+, surface mounting with alarm button

\*SLMX3-SM-PICB

**The optimal lift safety solution for projects in need of easy and quick modernisation**

This version of the MX3+ is delivered with a front plate and an integrated alarm button for surface mounting. An all-in-one mounting option with only two screws that allows for a quick installation.

The MX3+ is probably the world's smallest lift telephone on the market today and is the lift telephone system from SafeLine that requires the least amount of wiring possible. With just one unit necessary to fulfil the EN81-28 – it is undoubtedly our most installation-friendly choice to date and is perfect for projects or buildings with limited, or very limited physical space as well as buildings in need of quick and easy lift safety modernization.

Simply connect the MX3+ to a power source with the provided plug-and-play cables, mount the system in the lift car and configure it easily with the SafeLine LYNX app. Easily add an additional voice station if needed (for instance car roof station) for a fuller system – all with just one unit in the car.

## Technical information

One-unit system – minimum wiring  
Integrated alarm button  
Quick mounting  
Built-in wireless configuration  
Connect extra voice station  
Connect external pictograms  
Adjustable delay for connection of calls  
Plug-and-play cables  
Up to nine telephones on one phone line

## Technical data

### Power supply

10-30 VDC

### Current consumption

50-160 mA, 12VDC

### Emergency signal button

10-30 VDC, 5 mA

### IP

IP43

### Inputs

10-30 VDC

### Outputs

2x 12-24 VDC

### Size (HxWxD)

155 x 90 x 31 mm

### Weight

575 g

### Other

Bluetooth 4.0, BLE 2,4 GHz

