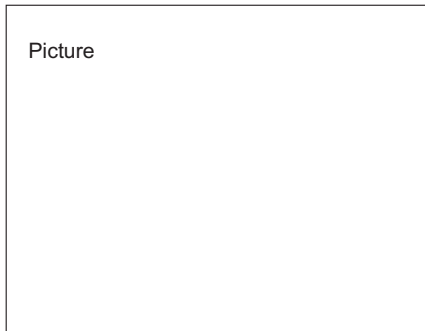
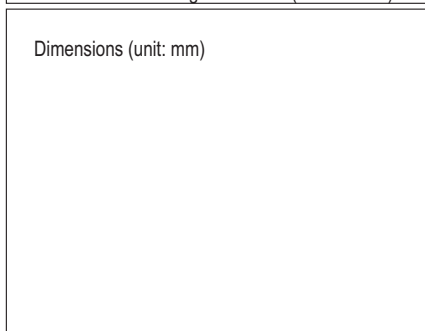


DC METAL FACE INDUCTIVE PROXIMITY SENSORS

Diameter
● Shielded ○ Non-shielded
Switching Distance Sn: mm
Housing Material
● With LED ○ Without LED



Operating Voltage	10-30VDC
Ripple	<10%
No Load Current	<10mA
Max. Load Current	200mA
Leakage Current	<0.01mA
Voltage Drop	<1.5V
Switching Frequency	2KHZ
Response Time	0.1ms/0.1ms
Switching Hysteresis	<15%(Sr)
Repeat Accuracy	<1.0%(Sr)
Protection Category	IP67
Operating Temperature	-25°C - +70 °C
Temperature Drift	<10%(Sr)
Short Circuit Protection	YES
Overload Trip Point	220mA
Material Active Face	Stainless steel
DC 3 wire 10-30V NPN N.O.	P1C1F0801N03A2 1 P1C2F0802N03A2
DC 3 wire 10-30V NPN N.C.	P1C1F0801NC3A2 2 P1C2F0802NC3A2
DC 3 wire 10-30V PNP N.O.	P1C1F0801P03A2 3 P1C2F0802P03A2
DC 3 wire 10-30V PNP N.C.	P1C1F0801PC3A2 4 P1C2F0802PC3A2
DC 4 wire 10-30V Changeover PNP (N.O. & N.C.)	
DC 4 wire 10-30V Changeover NPN (N.O. & N.C.)	
DC 2 wire 10-60V N.O.	
DC 2 wire 10-60V N.C.	
DC 3 wire 10-55V NPN N.O.	
DC 3 wire 10-55V NPN N.C.	
DC 3 wire 10-55V PNP N.O.	
DC 3 wire 10-55V PNP N.C.	
DC 3 wire 5-36V NPN N.O.	
DC 3 wire 5-36V NPN N.C.	
DC 3 wire 5-36V PNP N.O.	
DC 3 wire 5-36V PNP N.C.	
DC 4 wire 5-36V Changeover PNP (N.O. & N.C.)	
DC 4 wire 5-36V Changeover NPN (N.O. & N.C.)	



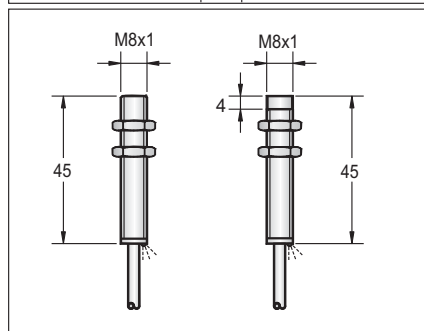
Cable 2M (PVC)	3 φ 3x0.15
Weight	Approx.47 g Approx.45 g

M8	
●	○
1mm	2mm
Stainless steel	
●	



Operating Voltage	10-30VDC
Ripple	<10%
No Load Current	<10mA
Max. Load Current	200mA
Leakage Current	<0.01mA
Voltage Drop	<1.5V
Switching Frequency	2KHZ
Response Time	0.1ms/0.1ms
Switching Hysteresis	<15%(Sr)
Repeat Accuracy	<1.0%(Sr)
Protection Category	IP67
Operating Temperature	-25°C - +70 °C
Temperature Drift	<10%(Sr)
Short Circuit Protection	YES
Overload Trip Point	220mA
Material Active Face	Stainless steel

DC 3 wire 10-30V NPN N.O.	P1C1F0801N03A2 1 P1C2F0802N03A2
DC 3 wire 10-30V NPN N.C.	P1C1F0801NC3A2 2 P1C2F0802NC3A2
DC 3 wire 10-30V PNP N.O.	P1C1F0801P03A2 3 P1C2F0802P03A2
DC 3 wire 10-30V PNP N.C.	P1C1F0801PC3A2 4 P1C2F0802PC3A2
DC 4 wire 10-30V Changeover PNP (N.O. & N.C.)	
DC 4 wire 10-30V Changeover NPN (N.O. & N.C.)	
DC 2 wire 10-60V N.O.	
DC 2 wire 10-60V N.C.	
DC 3 wire 10-55V NPN N.O.	
DC 3 wire 10-55V NPN N.C.	
DC 3 wire 10-55V PNP N.O.	
DC 3 wire 10-55V PNP N.C.	
DC 3 wire 5-36V NPN N.O.	
DC 3 wire 5-36V NPN N.C.	
DC 3 wire 5-36V PNP N.O.	
DC 3 wire 5-36V PNP N.C.	
DC 4 wire 5-36V Changeover PNP (N.O. & N.C.)	
DC 4 wire 5-36V Changeover NPN (N.O. & N.C.)	



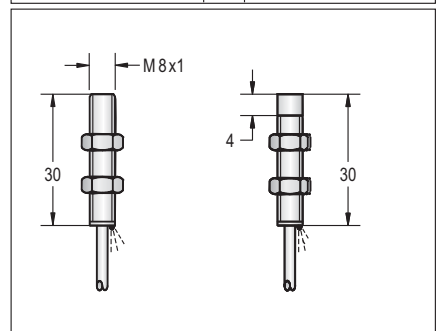
Cable 3φ 3x0.15	3 φ 3x0.15
Weight	Approx.47 g Approx.45 g

M8	
●	○
1mm	2mm
Stainless steel	
●	



Operating Voltage	10-30VDC
Ripple	<10%
No Load Current	<10mA
Max. Load Current	200mA
Leakage Current	<0.01mA
Voltage Drop	<1.5V
Switching Frequency	2KHZ
Response Time	0.1ms/0.1ms
Switching Hysteresis	<15%(Sr)
Repeat Accuracy	<1.0%(Sr)
Protection Category	IP67
Operating Temperature	-25°C - +70 °C
Temperature Drift	<10%(Sr)
Short Circuit Protection	YES
Overload Trip Point	220mA
Material Active Face	Stainless steel

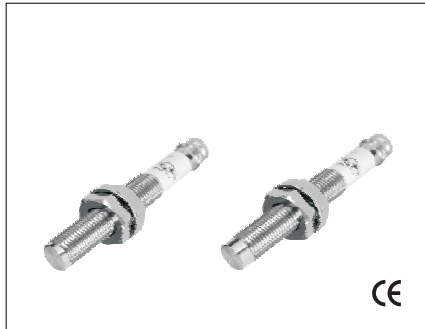
DC 3 wire 10-30V NPN N.O.	P1C1F0801N03S2 1 P1C2F0802N03S2
DC 3 wire 10-30V NPN N.C.	P1C1F0801NC3S2 2 P1C2F0802NC3S2
DC 3 wire 10-30V PNP N.O.	P1C1F0801P03S2 3 P1C2F0802P03S2
DC 3 wire 10-30V PNP N.C.	P1C1F0801PC3S2 4 P1C2F0802PC3S2
DC 4 wire 10-30V Changeover PNP (N.O. & N.C.)	
DC 4 wire 10-30V Changeover NPN (N.O. & N.C.)	
DC 2 wire 10-60V N.O.	
DC 2 wire 10-60V N.C.	
DC 3 wire 10-55V NPN N.O.	
DC 3 wire 10-55V NPN N.C.	
DC 3 wire 10-55V PNP N.O.	
DC 3 wire 10-55V PNP N.C.	
DC 3 wire 5-36V NPN N.O.	
DC 3 wire 5-36V NPN N.C.	
DC 3 wire 5-36V PNP N.O.	
DC 3 wire 5-36V PNP N.C.	
DC 4 wire 5-36V Changeover PNP (N.O. & N.C.)	
DC 4 wire 5-36V Changeover NPN (N.O. & N.C.)	



Cable 3φ 3x0.15	3 φ 3x0.15
Weight	Approx.40 g Approx.38 g

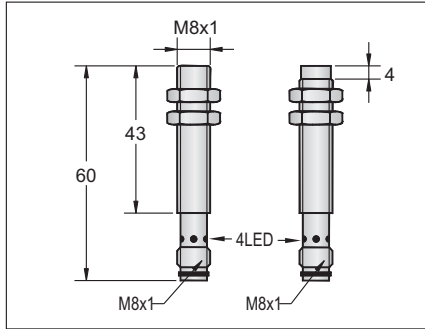
DC METAL FACE INDUCTIVE PROXIMITY SENSORS

M8	
●	○
1mm	2mm
Stainless steel	
●	



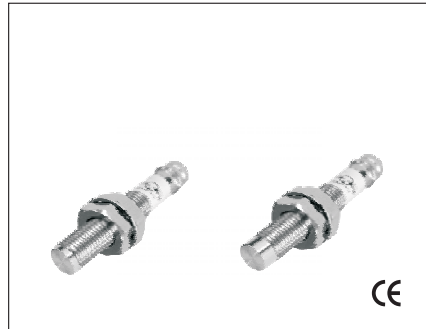
10-30VDC
<10%
<10mA
200mA
<0.01mA
<1.5V
2KHZ
0.1ms/0.1ms
<15%(Sr)
<1.0%(Sr)
IP67
-25 °C - +70 °C
<10%(Sr)
YES
220mA
Stainless steel

P1C1F0801NOPA3	25	P1C2F0802NOPA3
P1C1F0801NCPA3	25	P1C2F0802NCPA3
P1C1F0801POPA3	26	P1C2F0802POPA3
P1C1F0801PCPA3	26	P1C2F0802PCPA3



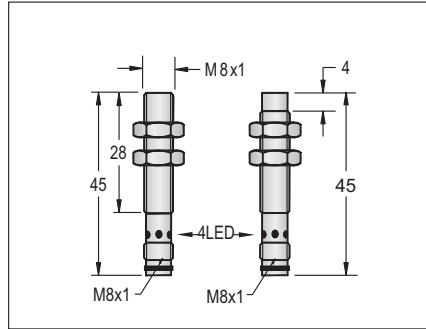
Approx. 15 g	Approx. 13 g
--------------	--------------

M8	
●	○
1 mm	2 mm
Stainless steel	
●	



10-30VDC
<10%
<10mA
200mA
<0.01mA
<1.5V
2KHZ
0.1ms/0.1ms
<15%(Sr)
<1.0%(Sr)
IP67
-25 °C - +70 °C
<10%(Sr)
YES
220mA
Stainless steel

P1C1F0801NOPS3	25	P1C2F0802NOPS3
P1C1F0801NCPS3	25	P1C2F0802NCPS3
P1C1F0801POPS3	26	P1C2F0802POPS3
P1C1F0801PCPS3	26	P1C2F0802PCPS3



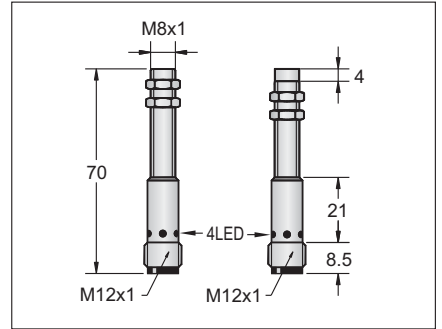
Approx. 12 g	Approx. 11 g
--------------	--------------

M8	
●	○
1mm	2mm
Stainless steel	
●	



10-30VDC
<10%
<10mA
200mA
<0.01mA
<1.5V
2KHZ
0.1ms/0.1ms
<15%(Sr)
<1.0%(Sr)
IP67
-25 °C - +70 °C
<10%(Sr)
YES
220mA
Stainless steel

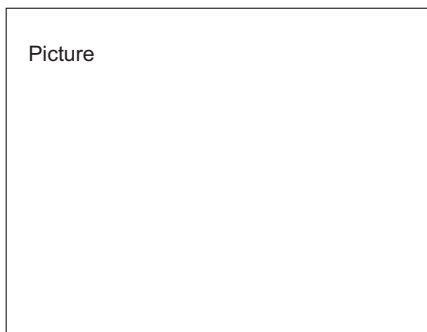
P1C1F0801NOEA4	31	P1C2F0802NOEA4
P1C1F0801NCEA4	32	P1C2F0802NCEA4
P1C1F0801POEA4	33	P1C2F0802POEA4
P1C1F0801PCEA4	34	P1C2F0802PCEA4



Approx. 22 g	Approx. 20 g
--------------	--------------

DC METAL FACE INDUCTIVE PROXIMITY SENSORS

Diameter
● Shielded ○ Non-shielded
Switching Distance Sn: mm
Housing Material
● With LED ○ Without LED



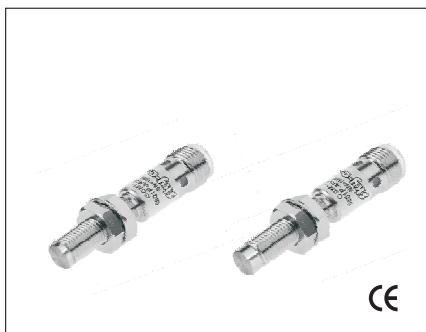
Operating Voltage
Ripple
No Load Current
Max. Load Current
Leakage Current
Voltage Drop
Switching Frequency
Response Time
Switching Hysteresis
Repeat Accuracy
Protection Category
Operating Temperature
Temperature Drift
Short Circuit Protection
Overload Trip Point
Material Active Face

DC 3 wire 10-30V NPN N.O.
DC 3 wire 10-30V NPN N.C.
DC 3 wire 10-30V PNP N.O.
DC 3 wire 10-30V PNP N.C.
DC 4 wire 10-30V Changeover PNP (N.O. & N.C.)
DC 4 wire 10-30V Changeover NPN (N.O. & N.C.)
DC 2 wire 10-60V N.O.
DC 2 wire 10-60V N.C.
DC 3 wire 10-55V NPN N.O.
DC 3 wire 10-55V NPN N.C.
DC 3 wire 10-55V PNP N.O.
DC 3 wire 10-55V PNP N.C.
DC 3 wire 5-36V NPN N.O.
DC 3 wire 5-36V NPN N.C.
DC 3 wire 5-36V PNP N.O.
DC 3 wire 5-36V PNP N.C.
DC 4 wire 5-36V Changeover PNP (N.O. & N.C.)
DC 4 wire 5-36V Changeover NPN (N.O. & N.C.)

Dimensions (unit: mm)

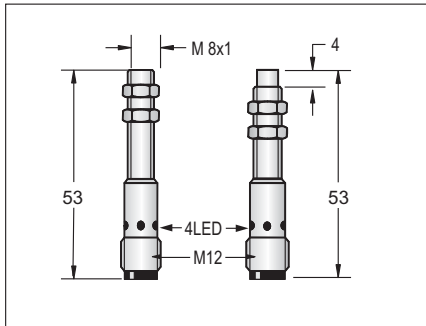
Cable 2M (PVC)
Weight

M8	
●	○
1mm	2mm
Stainless steel	
●	



10-30VDC
<10%
<10mA
200mA
<0.01mA
<1.5V
2KHZ
0.1ms/0.1ms
<15%(Sr)
<1.0%(Sr)
IP67
-25°C - +70 °C
<10%(Sr)
YES
220mA
Stainless steel

P1C1F0801NOES4	31	P1C2F0802NOES4
P1C1F0801NCES4	32	P1C2F0802NCES4
P1C1F0801POES4	33	P1C2F0802POES4
P1C1F0801PCES4	34	P1C2F0802PCES4



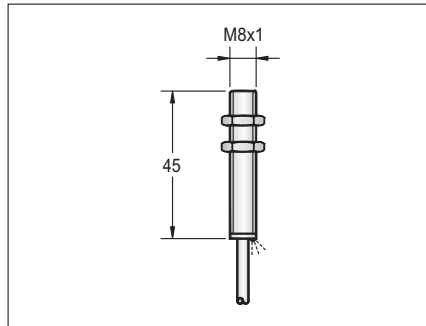
Approx.17 g	Approx.15 g
-------------	-------------

M8
●
2mm
Stainless steel
●



10-30VDC
<10%
<10mA
200mA
<0.01mA
<2.0V
2KHZ
0.1ms/0.1ms
<15%(Sr)
<1.0%(Sr)
IP67
-25°C - +70 °C
<10%(Sr)
YES
220mA
Stainless steel

P1C1F0802NO3A2	1
P1C1F0802NC3A2	2
P1C1F0802PO3A2	3
P1C1F0802PC3A2	4



3 φ 3x0.15
Approx.47 g

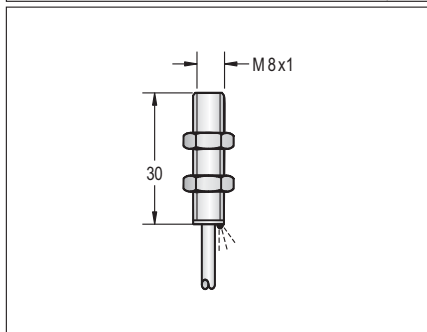
DC METAL FACE INDUCTIVE PROXIMITY SENSORS

M8
●
2mm
Stainless steel
●



10-30VDC
<10%
<10mA
200mA
<0.01mA
<2.0V
2KHZ
0.1ms/0.1ms
<15%(Sr)
<1.0%(Sr)
IP67
-25°C - +70 °C
<10%(Sr)
YES
220mA
Stainless steel

P1C1F0802NO3S2	1
P1C1F0802NC3S2	2
P1C1F0802PO3S2	3
P1C1F0802PC3S2	4



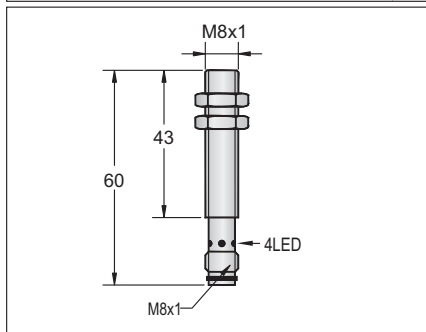
3 ϕ 3x0.15
Approx. 40 g

M8
●
2mm
Stainless steel
●



10-30VDC
<10%
<10mA
200mA
<0.01mA
<2.0V
2KHZ
0.1ms/0.1ms
<15%(Sr)
<1.0%(Sr)
IP67
-25°C - +70 °C
<10%(Sr)
YES
220mA
Stainless steel

P1C1F0802NOPA3	25
P1C1F0802NCPA3	25
P1C1F0802POPA3	26
P1C1F0802PCPA3	26



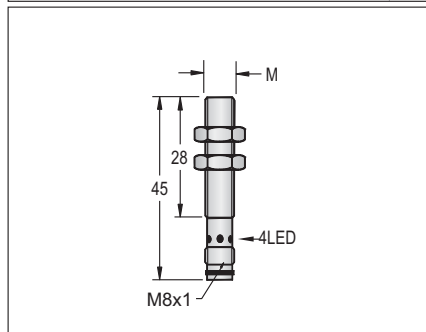
Approx. 15 g

M8
●
2 mm
Stainless steel
●



10-30VDC
<10%
<10mA
200mA
<0.01mA
<2.0V
2KHZ
0.1ms/0.1ms
<15%(Sr)
<1.0%(Sr)
IP67
-25°C - +70 °C
<10%(Sr)
YES
220mA
Stainless steel

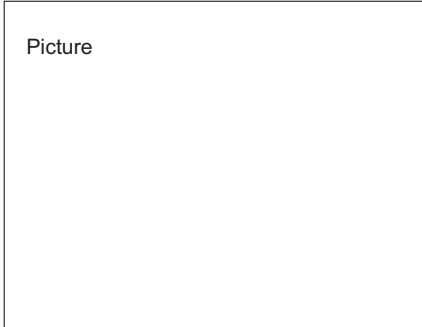
P1C1F0802NOPS3	25
P1C1F0802NCPS3	25
P1C1F0802POPS3	26
P1C1F0802PCPS3	26



Approx. 12 g

DC METAL FACE INDUCTIVE PROXIMITY SENSORS

Diameter
● Shielded ○ Non-shielded
Switching Distance Sn: mm
Housing Material
● With LED ○ Without LED



Operating Voltage
Ripple
No Load Current
Max. Load Current
Leakage Current
Voltage Drop
Switching Frequency
Response Time
Switching Hysteresis
Repeat Accuracy
Protection Category
Operating Temperature
Temperature Drift
Short Circuit Protection
Overload Trip Point
Material Active Face

DC 3 wire 10-30V NPN N.O.
DC 3 wire 10-30V NPN N.C.
DC 3 wire 10-30V PNP N.O.
DC 3 wire 10-30V PNP N.C.
DC 4 wire 10-30V Changeover PNP (N.O. & N.C.)
DC 4 wire 10-30V Changeover NPN (N.O. & N.C.)
DC 2 wire 10-60V N.O.
DC 2 wire 10-60V N.C.
DC 3 wire 10-55V NPN N.O.
DC 3 wire 10-55V NPN N.C.
DC 3 wire 10-55V PNP N.O.
DC 3 wire 10-55V PNP N.C.
DC 3 wire 5-36V NPN N.O.
DC 3 wire 5-36V NPN N.C.
DC 3 wire 5-36V PNP N.O.
DC 3 wire 5-36V PNP N.C.
DC 4 wire 5-36V Changeover PNP (N.O. & N.C.)
DC 4 wire 5-36V Changeover NPN (N.O. & N.C.)

Dimensions (unit: mm)

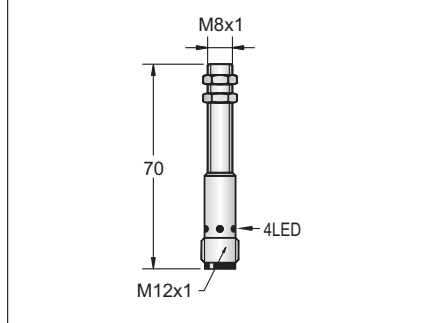
Cable 2M (PVC)
Weight

M8
●
2mm
Stainless steel
●



10-30VDC
<10%
<10mA
200mA
<0.01mA
<2.0V
2KHZ
0.1ms/0.1ms
<15%(Sr)
<1.0%(Sr)
IP67
-25 °C - +70 °C
<10%(Sr)
YES
220mA
Stainless steel

P1C1F0802NOEA4	31
P1C1F0802NCEA4	32
P1C1F0802POEA4	33
P1C1F0802PCEA4	34



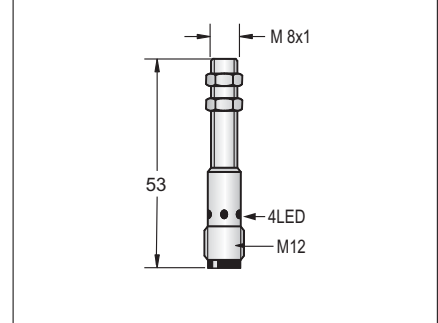
Approx.22 g

M8
●
2mm
Stainless steel
●



10-30VDC
<10%
<10mA
200mA
<0.01mA
<2.0V
2KHZ
0.1ms/0.1ms
<15%(Sr)
<1.0%(Sr)
IP67
-25 °C - +70 °C
<10%(Sr)
YES
220mA
Stainless steel

P1C1F0802NOES4	31
P1C1F0802NCES4	32
P1C1F0802POES4	33
P1C1F0802PCES4	34



Approx.17 g

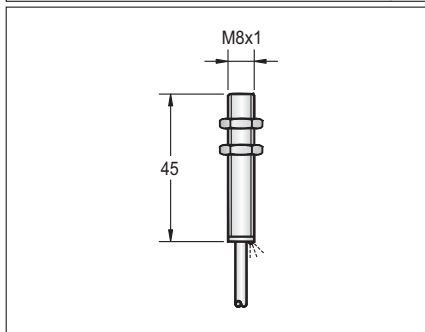
DC METAL FACE INDUCTIVE PROXIMITY SENSORS

M8
●
3mm
Stainless steel
●



10-30VDC
<10%
<10mA
200mA
<0.01mA
<2.0V
1KHZ
0.2ms/0.2ms
<15%(Sr)
<1.0%(Sr)
IP67
-25°C - +70 °C
<10%(Sr)
YES
220mA
Stainless steel

P1C1F0803NO3A2	1
P1C1F0803NC3A2	2
P1C1F0803PO3A2	3
P1C1F0803PC3A2	4



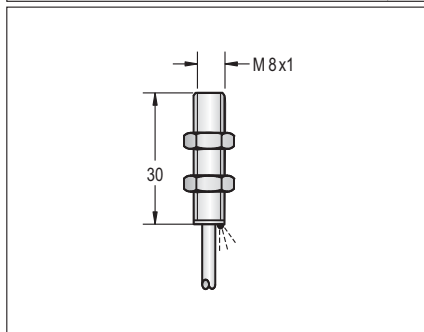
3 ϕ 3x0.15
Approx.47 g

M8
●
3mm
Stainless steel
●



10-30VDC
<10%
<10mA
200mA
<0.01mA
<2.0V
1KHZ
0.2ms/0.2ms
<15%(Sr)
<1.0%(Sr)
IP67
-25°C - +70 °C
<10%(Sr)
YES
220mA
Stainless steel

P1C1F0803NO3S2	1
P1C1F0803NC3S2	2
P1C1F0803PO3S2	3
P1C1F0803PC3S2	4



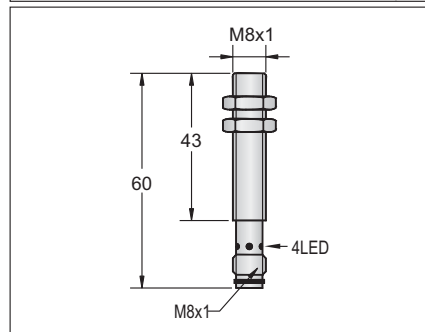
3 ϕ 3x0.15
Approx.40 g

M8
●
3mm
Stainless steel
●



10-30VDC
<10%
<10mA
200mA
<0.01mA
<2.0V
1KHZ
0.2ms/0.2ms
<15%(Sr)
<1.0%(Sr)
IP67
-25°C - +70 °C
<10%(Sr)
YES
220mA
Stainless steel

P1C1F0803NOPA3	25
P1C1F0803NCPA3	25
P1C1F0803POPA3	26
P1C1F0803PCPA3	26



Approx. 15 g

DC METAL FACE INDUCTIVE PROXIMITY SENSORS

Diameter
● Shielded ○ Non-shielded
Switching Distance Sn: mm
Housing Material
● With LED ○ Without LED

Picture

Operating Voltage	10-30VDC
Ripple	<10%
No Load Current	<10mA
Max. Load Current	200mA
Leakage Current	<0.01mA
Voltage Drop	<2.0V
Switching Frequency	1KHZ
Response Time	0.2ms/0.2ms
Switching Hysteresis	<15%(Sr)
Repeat Accuracy	<1.0%(Sr)
Protection Category	IP67
Operating Temperature	-25 °C - +70 °C
Temperature Drift	<10%(Sr)
Short Circuit Protection	YES
Overload Trip Point	220mA
Material Active Face	Stainless steel

DC 3 wire 10-30V NPN N.O.	P1C1F0803NOPS3	25
DC 3 wire 10-30V NPN N.C.	P1C1F0803NCPS3	25
DC 3 wire 10-30V PNP N.O.	P1C1F0803POPS3	26
DC 3 wire 10-30V PNP N.C.	P1C1F0803PCPS3	26
DC 4 wire 10-30V Changeover PNP (N.O. & N.C.)		
DC 4 wire 10-30V Changeover NPN (N.O. & N.C.)		
DC 2 wire 10-60V N.O. *		
DC 2 wire 10-60V N.C. *		
DC 3 wire 10-55V NPN N.O.		
DC 3 wire 10-55V NPN N.C.		
DC 3 wire 10-55V PNP N.O.		
DC 3 wire 10-55V PNP N.C.		
DC 3 wire 5-36V NPN N.O.		
DC 3 wire 5-36V NPN N.C.		
DC 3 wire 5-36V PNP N.O.		
DC 3 wire 5-36V PNP N.C.		
DC 4 wire 5-36V Changeover PNP (N.O. & N.C.)		
DC 4 wire 5-36V Changeover NPN (N.O. & N.C.)		

Dimensions (unit: mm)
<p>* : DC 2 wire 10-60V specifications see page 3-05. Other is same.</p>

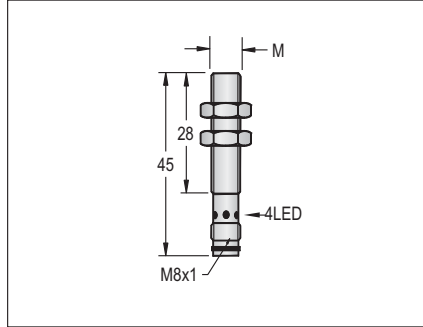
Cable 2M (PVC)
Weight

M8
●
3mm
Stainless steel
●



Operating Voltage	10-30VDC
Ripple	<10%
No Load Current	<10mA
Max. Load Current	200mA
Leakage Current	<0.01mA
Voltage Drop	<2.0V
Switching Frequency	1KHZ
Response Time	0.2ms/0.2ms
Switching Hysteresis	<15%(Sr)
Repeat Accuracy	<1.0%(Sr)
Protection Category	IP67
Operating Temperature	-25 °C - +70 °C
Temperature Drift	<10%(Sr)
Short Circuit Protection	YES
Overload Trip Point	220mA
Material Active Face	Stainless steel

DC 3 wire 10-30V NPN N.O.	P1C1F0803NOPS3	25
DC 3 wire 10-30V NPN N.C.	P1C1F0803NCPS3	25
DC 3 wire 10-30V PNP N.O.	P1C1F0803POPS3	26
DC 3 wire 10-30V PNP N.C.	P1C1F0803PCPS3	26
DC 4 wire 10-30V Changeover PNP (N.O. & N.C.)		
DC 4 wire 10-30V Changeover NPN (N.O. & N.C.)		
DC 2 wire 10-60V N.O. *		
DC 2 wire 10-60V N.C. *		
DC 3 wire 10-55V NPN N.O.		
DC 3 wire 10-55V NPN N.C.		
DC 3 wire 10-55V PNP N.O.		
DC 3 wire 10-55V PNP N.C.		
DC 3 wire 5-36V NPN N.O.		
DC 3 wire 5-36V NPN N.C.		
DC 3 wire 5-36V PNP N.O.		
DC 3 wire 5-36V PNP N.C.		
DC 4 wire 5-36V Changeover PNP (N.O. & N.C.)		
DC 4 wire 5-36V Changeover NPN (N.O. & N.C.)		



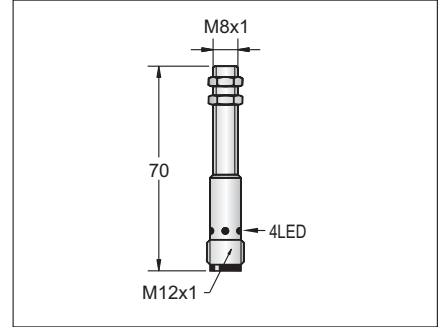
Weight	Approx.12 g
--------	-------------

M8
●
3mm
Stainless steel
●



Operating Voltage	10-30VDC
Ripple	<10%
No Load Current	<10mA
Max. Load Current	200mA
Leakage Current	<0.01mA
Voltage Drop	<2.0V
Switching Frequency	1KHZ
Response Time	0.2ms/0.2ms
Switching Hysteresis	<15%(Sr)
Repeat Accuracy	<1.0%(Sr)
Protection Category	IP67
Operating Temperature	-25 °C - +70 °C
Temperature Drift	<10%(Sr)
Short Circuit Protection	YES
Overload Trip Point	220mA
Material Active Face	Stainless steel

DC 3 wire 10-30V NPN N.O.	P1C1F0803NOEA4	31
DC 3 wire 10-30V NPN N.C.	P1C1F0803NCEA4	32
DC 3 wire 10-30V PNP N.O.	P1C1F0803POEA4	33
DC 3 wire 10-30V PNP N.C.	P1C1F0803PCEA4	34
DC 4 wire 10-30V Changeover PNP (N.O. & N.C.)		
DC 4 wire 10-30V Changeover NPN (N.O. & N.C.)		
DC 2 wire 10-60V N.O. *		
DC 2 wire 10-60V N.C. *		
DC 3 wire 10-55V NPN N.O.		
DC 3 wire 10-55V NPN N.C.		
DC 3 wire 10-55V PNP N.O.		
DC 3 wire 10-55V PNP N.C.		
DC 3 wire 5-36V NPN N.O.		
DC 3 wire 5-36V NPN N.C.		
DC 3 wire 5-36V PNP N.O.		
DC 3 wire 5-36V PNP N.C.		
DC 4 wire 5-36V Changeover PNP (N.O. & N.C.)		
DC 4 wire 5-36V Changeover NPN (N.O. & N.C.)		



Weight	Approx.22 g
--------	-------------

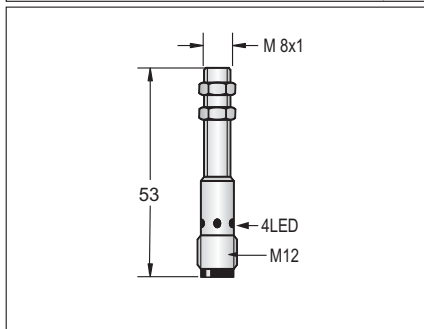
DC METAL FACE INDUCTIVE PROXIMITY SENSORS

M8
●
3mm
Stainless steel
●



10-30VDC
<10%
<10mA
200mA
<0.01mA
<2.0V
1KHZ
0.2ms/0.2ms
<15%(Sr)
<1.0%(Sr)
IP67
-25 °C - +70 °C
<10%(Sr)
YES
220mA
Stainless steel

P1C1F0803NOES4	31
P1C1F0803NCES4	32
P1C1F0803POES4	33
P1C1F0803PCES4	34



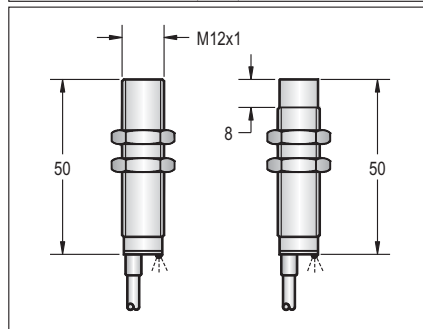
Approx. 17 g

M12	
●	○
2 mm	4 mm
Stainless steel	
●	



10-30VDC//10-55VDC/10-60VDC	
<10%	
<10mA	
200mA	
<0.01mA	
<1.5V	
2KHZ	1KHZ
0.1ms/0.1ms	0.2ms/0.2ms
<15%(Sr)	
<1.0%(Sr)	
IP67	
-25 °C - +70 °C	
<10%(Sr)	
YES	
220mA	
Stainless steel	

P1C1F1202NO3A2	1	P1C2F1204NO3A2
P1C1F1202NC3A2	2	P1C2F1204NC3A2
P1C1F1202PO3A2	3	P1C2F1204PO3A2
P1C1F1202PC3A2	4	P1C2F1204PC3A2
P4C1F1202CO2A2	7	P4C2F1204CO2A2
P4C1F1202CC2A2	8	P4C2F1204CC2A2
P3C1F1202NO3A2	1	P3C2F1204NO3A2
P3C1F1202NC3A2	2	P3C2F1204NC3A2
P3C1F1202PO3A2	3	P3C2F1204PO3A2
P3C1F1202PC3A2	4	P3C2F1204PC3A2



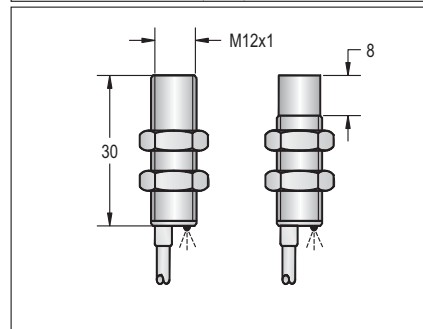
4 φ 3x0.15	
Approx. 67 g	Approx. 65 g

M12	
●	○
2 mm	4 mm
Stainless steel	
●	



10-30VDC/10-60VDC	
<10%	
<10mA	
200mA	
<0.01mA	
<1.5V	
2KHZ	1KHZ
0.1ms/0.1ms	0.2ms/0.2ms
<15%(Sr)	
<1.0%(Sr)	
IP67	
-25 °C - +70 °C	
<10%(Sr)	
YES	
220mA	
Stainless steel	

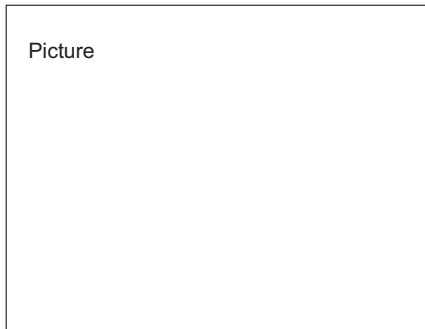
P1C1F1202NO3S2	1	P1C2F1204NO3S2
P1C1F1202NC3S2	2	P1C2F1204NC3S2
P1C1F1202PO3S2	3	P1C2F1204PO3S2
P1C1F1202PC3S2	4	P1C2F1204PC3S2
P4C1F1202CO2S2	7	P4C2F1204CO2S2
P4C1F1202CC2S2	8	P4C2F1204CC2S2



4 φ 3x0.15	
Approx. 62 g	Approx. 60 g

DC METAL FACE INDUCTIVE PROXIMITY SENSORS

Diameter
● Shielded ○ Non-shielded
Switching Distance Sn: mm
Housing Material
● With LED ○ Without LED



Operating Voltage	10-30VDC
Ripple	<10%
No Load Current	<10mA
Max. Load Current	200mA
Leakage Current	<0.01mA
Voltage Drop	<1.5V
Switching Frequency	2KHZ 1KHZ
Response Time	0.1ms/0.1ms 0.2ms/0.2ms
Switching Hysteresis	<15%(Sr)
Repeat Accuracy	<1.0%(Sr)
Protection Category	IP67
Operating Temperature	-25°C - +70°C
Temperature Drift	<10%(Sr)
Short Circuit Protection	YES
Overload Trip Point	220mA
Material Active Face	Stainless steel

DC 3 wire 10-30V NPN N.O.	P1C1F1202NOEA4	31	P1C2F1204NOEA4
DC 3 wire 10-30V NPN N.C.	P1C1F1202NCEA4	32	P1C2F1204NCEA4
DC 3 wire 10-30V PNP N.O.	P1C1F1202POEA4	33	P1C2F1204POEA4
DC 3 wire 10-30V PNP N.C.	P1C1F1202PCEA4	34	P1C2F1204PCEA4
DC 4 wire 10-30V Changeover PNP (N.O. & N.C.)			
DC 4 wire 10-30V Changeover NPN (N.O. & N.C.)			
DC 2 wire 10-60V N.O. *	P4C1F1202COEA4	37	P4C2F1204COEA4
DC 2 wire 10-60V N.C. *	P4C1F1202CCEA4	38	P4C2F1204CCEA4
DC 3 wire 10-55V NPN N.O.	P3C1F1202NOEA4	31	P3C2F1204NOEA4
DC 3 wire 10-55V NPN N.C.	P3C1F1202NCEA4	32	P3C2F1204NCEA4
DC 3 wire 10-55V PNP N.O.	P3C1F1202POEA4	33	P3C2F1204POEA4
DC 3 wire 10-55V PNP N.C.	P3C1F1202PCEA4	34	P3C2F1204PCEA4
DC 3 wire 5-36V NPN N.O.			
DC 3 wire 5-36V NPN N.C.			
DC 3 wire 5-36V PNP N.O.			
DC 3 wire 5-36V PNP N.C.			
DC 4 wire 5-36V Changeover PNP (N.O. & N.C.)			
DC 4 wire 5-36V Changeover NPN (N.O. & N.C.)			

Dimensions (unit: mm)

* : DC 2 wire 10-60V specifications see page 3-05. Other is same.

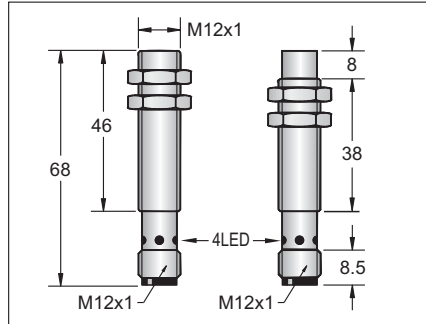
Cable 2M (PVC)
Weight

M12	
●	○
2 mm	4 mm
Stainless steel	
●	



Operating Voltage	10-30VDC
Ripple	<10%
No Load Current	<10mA
Max. Load Current	200mA
Leakage Current	<0.01mA
Voltage Drop	<1.5V
Switching Frequency	2KHZ 1KHZ
Response Time	0.1ms/0.1ms 0.2ms/0.2ms
Switching Hysteresis	<15%(Sr)
Repeat Accuracy	<1.0%(Sr)
Protection Category	IP67
Operating Temperature	-25°C - +70°C
Temperature Drift	<10%(Sr)
Short Circuit Protection	YES
Overload Trip Point	220mA
Material Active Face	Stainless steel

DC 3 wire 10-30V NPN N.O.	P1C1F1202NOEA4	31	P1C2F1204NOEA4
DC 3 wire 10-30V NPN N.C.	P1C1F1202NCEA4	32	P1C2F1204NCEA4
DC 3 wire 10-30V PNP N.O.	P1C1F1202POEA4	33	P1C2F1204POEA4
DC 3 wire 10-30V PNP N.C.	P1C1F1202PCEA4	34	P1C2F1204PCEA4
DC 4 wire 10-30V Changeover PNP (N.O. & N.C.)			
DC 4 wire 10-30V Changeover NPN (N.O. & N.C.)			
DC 2 wire 10-60V N.O. *	P4C1F1202COEA4	37	P4C2F1204COEA4
DC 2 wire 10-60V N.C. *	P4C1F1202CCEA4	38	P4C2F1204CCEA4
DC 3 wire 10-55V NPN N.O.	P3C1F1202NOEA4	31	P3C2F1204NOEA4
DC 3 wire 10-55V NPN N.C.	P3C1F1202NCEA4	32	P3C2F1204NCEA4
DC 3 wire 10-55V PNP N.O.	P3C1F1202POEA4	33	P3C2F1204POEA4
DC 3 wire 10-55V PNP N.C.	P3C1F1202PCEA4	34	P3C2F1204PCEA4
DC 3 wire 5-36V NPN N.O.			
DC 3 wire 5-36V NPN N.C.			
DC 3 wire 5-36V PNP N.O.			
DC 3 wire 5-36V PNP N.C.			
DC 4 wire 5-36V Changeover PNP (N.O. & N.C.)			
DC 4 wire 5-36V Changeover NPN (N.O. & N.C.)			



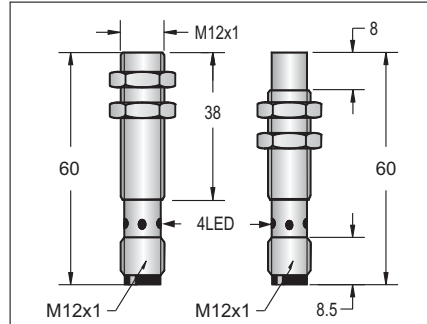
Cable 2M (PVC)
Weight

M12	
●	○
2 mm	4 mm
Stainless steel	
●	



Operating Voltage	10-30VDC
Ripple	<10%
No Load Current	<10mA
Max. Load Current	200mA
Leakage Current	<0.01mA
Voltage Drop	<1.5V
Switching Frequency	2KHZ 1KHZ
Response Time	0.1ms/0.1ms 0.2ms/0.2ms
Switching Hysteresis	<15%(Sr)
Repeat Accuracy	<1.0%(Sr)
Protection Category	IP67
Operating Temperature	-25°C - +70°C
Temperature Drift	<10%(Sr)
Short Circuit Protection	YES
Overload Trip Point	220mA
Material Active Face	Stainless steel

DC 3 wire 10-30V NPN N.O.	P1C1F1202NOER4	31	P1C2F1204NOER4
DC 3 wire 10-30V NPN N.C.	P1C1F1202NCER4	32	P1C2F1204NCER4
DC 3 wire 10-30V PNP N.O.	P1C1F1202POER4	33	P1C2F1204POER4
DC 3 wire 10-30V PNP N.C.	P1C1F1202PCER4	34	P1C2F1204PCER4
DC 4 wire 10-30V Changeover PNP (N.O. & N.C.)			
DC 4 wire 10-30V Changeover NPN (N.O. & N.C.)			
DC 2 wire 10-60V N.O. *			
DC 2 wire 10-60V N.C. *			
DC 3 wire 10-55V NPN N.O.			
DC 3 wire 10-55V NPN N.C.			
DC 3 wire 10-55V PNP N.O.			
DC 3 wire 10-55V PNP N.C.			
DC 3 wire 5-36V NPN N.O.			
DC 3 wire 5-36V NPN N.C.			
DC 3 wire 5-36V PNP N.O.			
DC 3 wire 5-36V PNP N.C.			
DC 4 wire 5-36V Changeover PNP (N.O. & N.C.)			
DC 4 wire 5-36V Changeover NPN (N.O. & N.C.)			



Cable 2M (PVC)
Weight

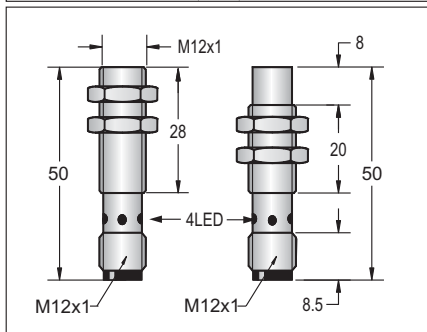
DC METAL FACE INDUCTIVE PROXIMITY SENSORS

M12	
●	○
2 mm	4 mm
Stainless steel	
●	



10-30VDC	
<10%	
<10mA	
200mA	
<0.01mA	
<1.5V	
2KHZ	1KHZ
0.1ms/0.1ms	0.2ms/0.2ms
<15%(Sr)	
<1.0%(Sr)	
IP67	
-25°C - +70°C	
<10%(Sr)	
YES	
220mA	
Stainless steel	

P1C1F1202NOES4	31	P1C2F1204NOES4
P1C1F1202NCES4	32	P1C2F1204NCES4
P1C1F1202POES4	33	P1C2F1204POES4
P1C1F1202PCES4	34	P1C2F1204PCES4



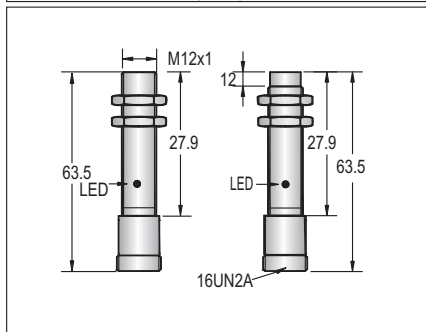
Approx.23 g	Approx.20 g
-------------	-------------

M12	
●	○
2 mm	4 mm
Stainless steel	
●	



10-30VDC	
<10%	
<10mA	
200mA	
<0.01mA	
<1.5V	
2KHZ	1KHZ
0.1ms/0.1ms	0.2ms/0.2ms
<15%(Sr)	
<1.0%(Sr)	
IP67	
-25°C - +70°C	
<10%(Sr)	
YES	
220mA	
Stainless steel	

P1C1F1202NOZA4	43	P1C2F1204NOZA4
P1C1F1202NCZA4	44	P1C2F1204NCZA4
P1C1F1202POZA4	45	P1C2F1204POZA4
P1C1F1202PCZA4	46	P1C2F1204PCZA4



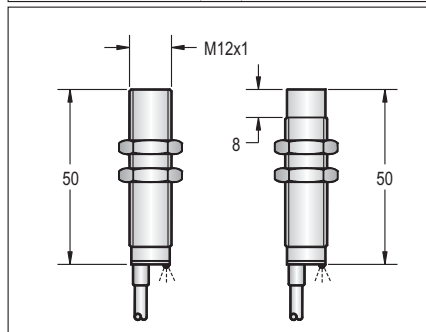
Approx.34 g	Approx.32 g
-------------	-------------

M12	
●	○
4 mm	8 mm
Stainless steel	
●	



10-30VDC	
<10%	
<10mA	
200mA	
<0.01mA	
<1.5V	
<1.5V	<2.0V
1KHZ	500HZ
0.2ms/0.2ms	0.5ms/0.5ms
<15%(Sr)	
<1.0%(Sr)	
IP67	
-25°C - +70°C	
<10%(Sr)	
YES	
220mA	
Stainless steel	

P1C1F1204NO3A2	1	P1C2F1208NO3A2
P1C1F1204NC3A2	2	P1C2F1208NC3A2
P1C1F1204PO3A2	3	P1C2F1208PO3A2
P1C1F1204PC3A2	4	P1C2F1208PC3A2



Approx.67 g	Approx.65 g
-------------	-------------

DC METAL FACE INDUCTIVE PROXIMITY SENSORS

Diameter

● Shielded ○ Non-shielded

Switching Distance Sn: mm

Housing Material

● With LED ○ Without LED

Picture

M12

●
4 mm
Stainless steel
●



M12	
-----	--

●	○
4 mm	8 mm
Stainless steel	
●	



Operating Voltage
Ripple
No Load Current
Max. Load Current
Leakage Current
Voltage Drop
Switching Frequency
Response Time
Switching Hysteresis
Repeat Accuracy
Protection Category
Operating Temperature
Temperature Drift
Short Circuit Protection
Overload Trip Point
Material Active Face

10-30VDC
<10%
<10mA
200mA
<0.01mA
<1.5V
1KHZ
0.2ms/0.2ms
<15%(Sr)
<1.0%(Sr)
IP67
-25°C - +70°C
<10%(Sr)
YES
220mA
Stainless steel

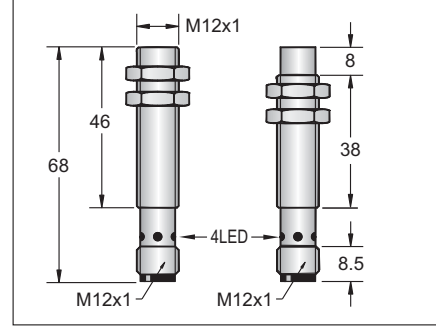
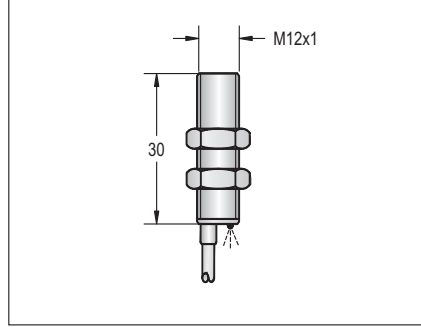
10-30VDC	
<10%	
<10mA	
200mA	
<0.01mA	
<1.5V	<2.0V
1KHZ	500HZ
0.2ms/0.2ms	0.5ms/0.5ms
<15%(Sr)	
<1.0%(Sr)	
IP67	
-25°C - +70°C	
<10%(Sr)	
YES	
220mA	
Stainless steel	

DC 3 wire 10-30V NPN N.O.
DC 3 wire 10-30V NPN N.C.
DC 3 wire 10-30V PNP N.O.
DC 3 wire 10-30V PNP N.C.
DC 4 wire 10-30V Changeover PNP (N.O. & N.C.)
DC 4 wire 10-30V Changeover NPN (N.O. & N.C.)
DC 2 wire 10-60V N.O.
DC 2 wire 10-60V N.C.
DC 3 wire 10-55V NPN N.O.
DC 3 wire 10-55V NPN N.C.
DC 3 wire 10-55V PNP N.O.
DC 3 wire 10-55V PNP N.C.
DC 3 wire 5-36V NPN N.O.
DC 3 wire 5-36V NPN N.C.
DC 3 wire 5-36V PNP N.O.
DC 3 wire 5-36V PNP N.C.
DC 4 wire 5-36V Changeover PNP (N.O. & N.C.)
DC 4 wire 5-36V Changeover NPN (N.O. & N.C.)

P1C1F1204N03S2	1
P1C1F1204NC3S2	2
P1C1F1204PO3S2	3
P1C1F1204PC3S2	4

P1C1F1204NOEA4	31	P1C2F1208NOEA4
P1C1F1204NCEA4	32	P1C2F1208NCEA4
P1C1F1204POEA4	33	P1C2F1208POEA4
P1C1F1204PCEA4	34	P1C2F1208PCEA4

Dimensions (unit: mm)



Cable 2M (PVC)
Weight

4 φ 3x0.15
Approx.62 g

Approx.31 g	Approx.30 g
-------------	-------------

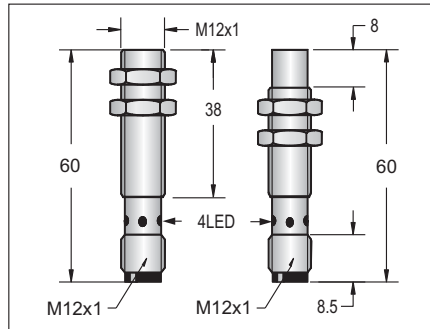
DC METAL FACE INDUCTIVE PROXIMITY SENSORS

M12	
●	○
4 mm	8 mm
Stainless steel	
●	



10-30VDC	
<10%	
<10mA	
200mA	
<0.01mA	
<1.5V	<2.0V
1KHZ	500HZ
0.2ms/0.2ms	0.5ms/0.5ms
<15%(Sr)	
<1.0%(Sr)	
IP67	
-25°C - +70°C	
<10%(Sr)	
YES	
220mA	
Stainless steel	

P1C1F1204NOER4	31	P1C2F1208NOER4	
P1C1F1204NCER4	32	P1C2F1208NCER4	
P1C1F1204POER4	33	P1C2F1208POER4	
P1C1F1204PCER4	34	P1C2F1208PCER4	



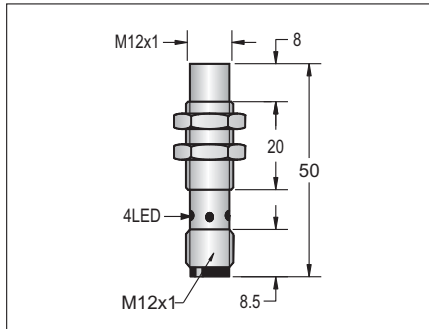
Approx.25 g	Approx.23 g
-------------	-------------

M12	
●	
4 mm	
Stainless steel	
●	



10-30VDC	
<10%	
<10mA	
200mA	
<0.01mA	
<1.5V	<2.0V
1KHZ	500HZ
0.2ms/0.2ms	0.5ms/0.5ms
<15%(Sr)	
<1.0%(Sr)	
IP67	
-25°C - +70°C	
<10%(Sr)	
YES	
220mA	
Stainless steel	

P1C1F1204NOES4	31
P1C1F1204NCES4	32
P1C1F1204POES4	33
P1C1F1204PCES4	34



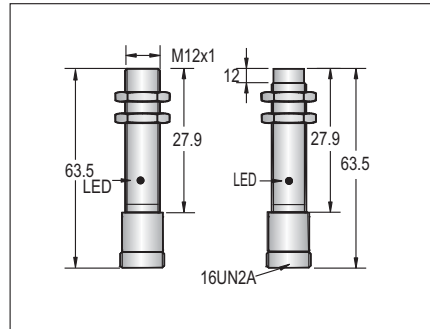
Approx.25 g

M12	
●	○
4 mm	8 mm
Stainless steel	
●	



10-30VDC	
<10%	
<10mA	
200mA	
<0.01mA	
<1.5V	<2.0V
1KHZ	500HZ
0.2ms/0.2ms	0.5ms/0.5ms
<15%(Sr)	
<1.0%(Sr)	
IP67	
-25°C - +70°C	
<10%(Sr)	
YES	
220mA	
Stainless steel	

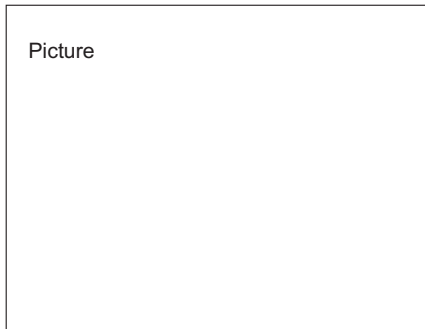
P1C1F1204NOZA4	43	P1C2F1208NOZA4
P1C1F1204NCZA4	44	P1C2F1208NCZA4
P1C1F1204POZA4	45	P1C2F1208POZA4
P1C1F1204PCZA4	46	P1C2F1208PCZA4



Approx.34 g	Approx.32 g
-------------	-------------

DC METAL FACE INDUCTIVE PROXIMITY SENSORS

Diameter
● Shielded ○ Non-shielded
Switching Distance Sn: mm
Housing Material
● With LED ○ Without LED



Operating Voltage
Ripple
No Load Current
Max. Load Current
Leakage Current
Voltage Drop
Switching Frequency
Response Time
Switching Hysteresis
Repeat Accuracy
Protection Category
Operating Temperature
Temperature Drift
Short Circuit Protection
Overload Trip Point
Material Active Face

DC 3 wire 10-30V NPN N.O.
DC 3 wire 10-30V NPN N.C.
DC 3 wire 10-30V PNP N.O.
DC 3 wire 10-30V PNP N.C.
DC 4 wire 10-30V Changeover PNP (N.O. & N.C.)
DC 4 wire 10-30V Changeover NPN (N.O. & N.C.)
DC 2 wire 10-60V N.O. *
DC 2 wire 10-60V N.C. *
DC 3 wire 10-55V NPN N.O.
DC 3 wire 10-55V NPN N.C.
DC 3 wire 10-55V PNP N.O.
DC 3 wire 10-55V PNP N.C.
DC 3 wire 5-36V NPN N.O.
DC 3 wire 5-36V NPN N.C.
DC 3 wire 5-36V PNP N.O.
DC 3 wire 5-36V PNP N.C.
DC 4 wire 5-36V Changeover PNP (N.O. & N.C.)
DC 4 wire 5-36V Changeover NPN (N.O. & N.C.)

Dimensions (unit: mm)

* : DC 2wire 10-60V specifications see page 3-05. Other is same.

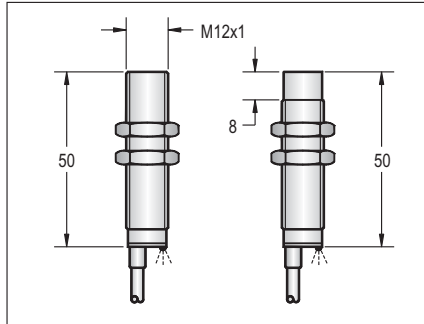
Cable 2M (PVC)
Weight

M12
● ○
6 mm 10 mm
Stainless steel
●



10-30VDC
<10%
<10mA
200mA
<0.01mA
<2.0V
800HZ 400HZ
0.2ms/0.2ms 0.3ms/0.3ms
<15%(Sr)
<1.0%(Sr)
IP67
-25°C - +70°C
<10%(Sr)
YES
220mA
Stainless steel

P1C1F1206NO3A2	1	P1C2F1210NO3A2
P1C1F1206NC3A2	2	P1C2F1210NC3A2
P1C1F1206PO3A2	3	P1C2F1210PO3A2
P1C1F1206PC3A2	4	P1C2F1210PC3A2



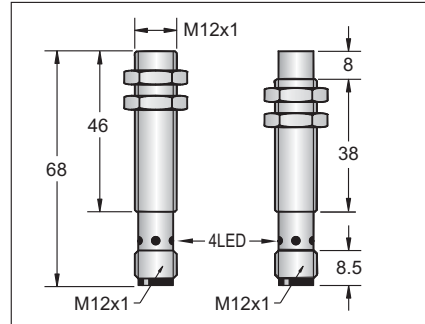
4 φ3x0.15	
Approx.67 g	Approx.65 g

M12
● ○
6 mm 10 mm
Stainless steel
●



10-30VDC
<10%
<10mA
200mA
<0.01mA
<2.0V
800HZ 400HZ
0.2ms/0.2ms 0.3ms/0.3ms
<15%(Sr)
<1.0%(Sr)
IP67
-25°C - +70°C
<10%(Sr)
YES
220mA
Stainless steel

P1C1F1206NOEA4	31	P1C2F1210NOEA4
P1C1F1206NCEA4	32	P1C2F1210NCEA4
P1C1F1206POEA4	33	P1C2F1210POEA4
P1C1F1206PCEA4	34	P1C2F1210PCEA4



Approx.31 g	Approx.30 g
-------------	-------------

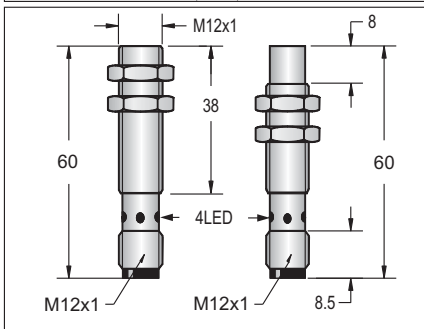
DC METAL FACE INDUCTIVE PROXIMITY SENSORS

M12	
●	○
6 mm	10 mm
Stainless steel	
●	



10-30VDC
<10%
<10mA
200mA
<0.01mA
<2.0V
800HZ
400HZ
0.2ms/0.2ms
0.3ms/0.3ms
<15%(Sr)
<1.0%(Sr)
IP67
-25°C - +70°C
<10%(Sr)
YES
220mA
Stainless steel

P1C1F1206NOER4	31	P1C2F1210NOER4
P1C1F1206NCER4	32	P1C2F1210NCER4
P1C1F1206POER4	33	P1C2F1210POER4
P1C1F1206PCER4	34	P1C2F1210PCER4



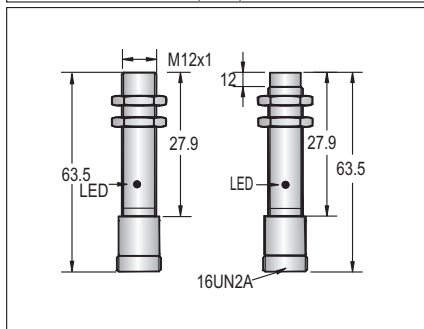
Approx.29 g	Approx.28 g
-------------	-------------

M12	
●	○
6 mm	10 mm
Stainless steel	
●	



10-30VDC
<10%
<10mA
200mA
<0.01mA
<2.0V
800HZ
400HZ
0.2ms/0.2ms
0.3ms/0.3ms
<15%(Sr)
<1.0%(Sr)
IP67
-25°C - +70°C
<10%(Sr)
YES
220mA
Stainless steel

P1C1F1206NOZA4	43	P1C2F1210NOZA4
P1C1F1206NCZA4	44	P1C2F1210NCZA4
P1C1F1206POZA4	45	P1C2F1210POZA4
P1C1F1206PCZA4	46	P1C2F1210PCZA4



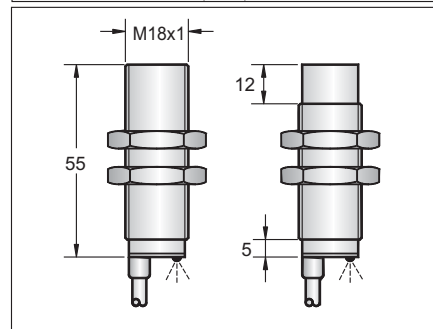
Approx.34 g	Approx.32 g
-------------	-------------

M18	
●	○
5 mm	8 mm
Stainless steel	
●	



10-30VDC / 10-55VDC / 10-60VDC
<10%
<10mA
200mA
<0.01mA
<1.5V
1KHZ
500HZ
0.2ms/0.2ms
0.5ms/0.5ms
<15%(Sr)
<1.0%(Sr)
IP67
-25°C - +70°C
<10%(Sr)
YES
220mA
Stainless steel

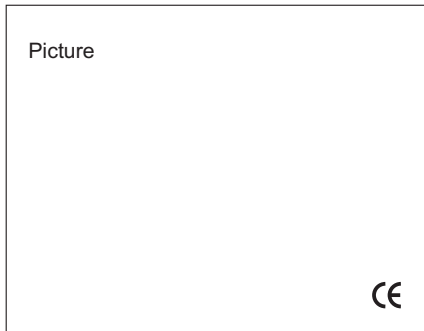
P1C1F1805NO3A2	1	P1C2F1808NO3A2
P1C1F1805NC3A2	2	P1C2F1808NC3A2
P1C1F1805PO3A2	3	P1C2F1808PO3A2
P1C1F1805PC3A2	4	P1C2F1808PC3A2



4 Ø3x0.34	
Approx.161 g	Approx.160 g

DC METAL FACE INDUCTIVE PROXIMITY SENSORS

Diameter
● Shielded ○ Non-shielded
Switching Distance Sn: mm
Housing Material
● With LED ○ Without LED



Operating Voltage	10-30VDC / 10-55VDC / 10-60VDC
Ripple	<10%
No Load Current	<10mA
Max. Load Current	200mA
Leakage Current	<0.01mA
Voltage Drop	<1.5V
Switching Frequency	1KHZ 500HZ
Response Time	0.2ms/0.2ms 0.5ms/0.5ms
Switching Hysteresis	<15%(Sr)
Repeat Accuracy	<1.0%(Sr)
Protection Category	IP67
Operating Temperature	-25°C - +70°C
Temperature Drift	<10%(Sr)
Short Circuit Protection	YES
Overload Trip Point	220mA
Material Active Face	Stainless steel

DC 3 wire 10-30V NPN N.O.	P1C1F1805N03R2	1	P1C2F1808N03R2
DC 3 wire 10-30V NPN N.C.	P1C1F1805NC3R2	2	P1C2F1808NC3R2
DC 3 wire 10-30V PNP N.O.	P1C1F1805PO3R2	3	P1C2F1808PO3R2
DC 3 wire 10-30V PNP N.C.	P1C1F1805PC3R2	4	P1C2F1808PC3R2
DC 4 wire 10-30V Changeover PNP (N.O. & N.C.)			
DC 4 wire 10-30V Changeover NPN (N.O. & N.C.)			
DC 2 wire 10-60V N.O. *	P4C1F1805CO2R2	7	P4C2F1808CO2R2
DC 2 wire 10-60V N.C. *	P4C1F1805CC2R2	8	P4C2F1808CC2R2
DC 3 wire 10-55V NPN N.O.	P3C1F1805N03R2	1	P3C2F1808N03R2
DC 3 wire 10-55V NPN N.C.	P3C1F1805NC3R2	2	P3C2F1808NC3R2
DC 3 wire 10-55V PNP N.O.	P3C1F1805PO3R2	3	P3C2F1808PO3R2
DC 3 wire 10-55V PNP N.C.	P3C1F1805PC3R2	4	P3C2F1808PC3R2
DC 3 wire 5-36V NPN N.O.			
DC 3 wire 5-36V NPN N.C.			
DC 3 wire 5-36V PNP N.O.			
DC 3 wire 5-36V PNP N.C.			
DC 4 wire 5-36V Changeover PNP (N.O. & N.C.)			
DC 4 wire 5-36V Changeover NPN (N.O. & N.C.)			

Dimensions (unit: mm)

* : DC 2 wire 10-60V specifications see page 3-05. Other is same.

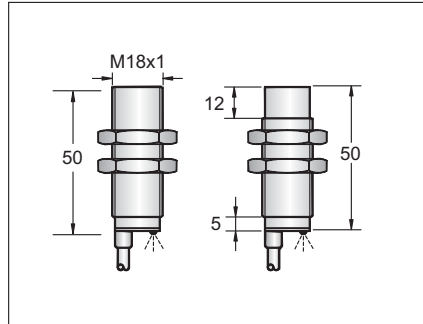
Cable 2M (PVC)	4 φ 3x0.34
Weight	Approx.150 g

M18	
●	○
5 mm	8 mm
Stainless steel	
●	



Operating Voltage	10-30VDC / 10-55VDC / 10-60VDC
Ripple	<10%
No Load Current	<10mA
Max. Load Current	200mA
Leakage Current	<0.01mA
Voltage Drop	<1.5V
Switching Frequency	1KHZ 500HZ
Response Time	0.2ms/0.2ms 0.5ms/0.5ms
Switching Hysteresis	<15%(Sr)
Repeat Accuracy	<1.0%(Sr)
Protection Category	IP67
Operating Temperature	-25°C - +70°C
Temperature Drift	<10%(Sr)
Short Circuit Protection	YES
Overload Trip Point	220mA
Material Active Face	Stainless steel

DC 3 wire 10-30V NPN N.O.	P1C1F1805N03S2	1	P1C2F1808N03S2
DC 3 wire 10-30V NPN N.C.	P1C1F1805NC3S2	2	P1C2F1808NC3S2
DC 3 wire 10-30V PNP N.O.	P1C1F1805PO3S2	3	P1C2F1808PO3S2
DC 3 wire 10-30V PNP N.C.	P1C1F1805PC3S2	4	P1C2F1808PC3S2
DC 4 wire 10-30V Changeover PNP (N.O. & N.C.)			
DC 4 wire 10-30V Changeover NPN (N.O. & N.C.)			
DC 2 wire 10-60V N.O. *	P4C1F1805CO2S2	7	P4C2F1808CO2S2
DC 2 wire 10-60V N.C. *	P4C1F1805CC2S2	8	P4C2F1808CC2S2
DC 3 wire 10-55V NPN N.O.	P3C1F1805N03S2	1	P3C2F1808N03S2
DC 3 wire 10-55V NPN N.C.	P3C1F1805NC3S2	2	P3C2F1808NC3S2
DC 3 wire 10-55V PNP N.O.	P3C1F1805PO3S2	3	P3C2F1808PO3S2
DC 3 wire 10-55V PNP N.C.	P3C1F1805PC3S2	4	P3C2F1808PC3S2
DC 3 wire 5-36V NPN N.O.			
DC 3 wire 5-36V NPN N.C.			
DC 3 wire 5-36V PNP N.O.			
DC 3 wire 5-36V PNP N.C.			
DC 4 wire 5-36V Changeover PNP (N.O. & N.C.)			
DC 4 wire 5-36V Changeover NPN (N.O. & N.C.)			



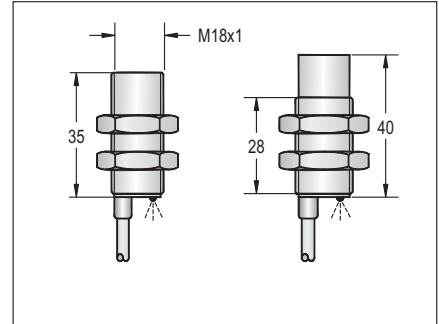
Cable 2M (PVC)	4 φ 3x0.34
Weight	Approx.140 g

M18	
●	○
5 mm	8 mm
Stainless steel	
●	



Operating Voltage	10-30VDC / 10-55VDC / 10-60VDC
Ripple	<10%
No Load Current	<10mA
Max. Load Current	200mA
Leakage Current	<0.01mA
Voltage Drop	<1.5V
Switching Frequency	1KHZ 500HZ
Response Time	0.2ms/0.2ms 0.5ms/0.5ms
Switching Hysteresis	<15%(Sr)
Repeat Accuracy	<1.0%(Sr)
Protection Category	IP67
Operating Temperature	-25°C - +70°C
Temperature Drift	<10%(Sr)
Short Circuit Protection	YES
Overload Trip Point	220mA
Material Active Face	Stainless steel

DC 3 wire 10-30V NPN N.O.	P1C1F1805N03S2	1	P1C2F1808N03S2
DC 3 wire 10-30V NPN N.C.	P1C1F1805NC3S2	2	P1C2F1808NC3S2
DC 3 wire 10-30V PNP N.O.	P1C1F1805PO3S2	3	P1C2F1808PO3S2
DC 3 wire 10-30V PNP N.C.	P1C1F1805PC3S2	4	P1C2F1808PC3S2
DC 4 wire 10-30V Changeover PNP (N.O. & N.C.)			
DC 4 wire 10-30V Changeover NPN (N.O. & N.C.)			
DC 2 wire 10-60V N.O. *	P4C1F1805CO2S2	7	P4C2F1808CO2S2
DC 2 wire 10-60V N.C. *	P4C1F1805CC2S2	8	P4C2F1808CC2S2
DC 3 wire 10-55V NPN N.O.	P3C1F1805N03S2	1	P3C2F1808N03S2
DC 3 wire 10-55V NPN N.C.	P3C1F1805NC3S2	2	P3C2F1808NC3S2
DC 3 wire 10-55V PNP N.O.	P3C1F1805PO3S2	3	P3C2F1808PO3S2
DC 3 wire 10-55V PNP N.C.	P3C1F1805PC3S2	4	P3C2F1808PC3S2
DC 3 wire 5-36V NPN N.O.			
DC 3 wire 5-36V NPN N.C.			
DC 3 wire 5-36V PNP N.O.			
DC 3 wire 5-36V PNP N.C.			
DC 4 wire 5-36V Changeover PNP (N.O. & N.C.)			
DC 4 wire 5-36V Changeover NPN (N.O. & N.C.)			



Cable 2M (PVC)	4 φ 3x0.34
Weight	Approx.132 g

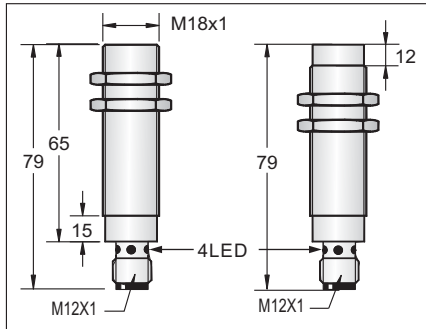
DC METAL FACE INDUCTIVE PROXIMITY SENSORS

M18	
●	○
5 mm	8 mm
Stainless steel	
●	



10-30VDC / 10-55VDC / 10-60VDC	
<10%	
<10mA	
200mA	
<0.01mA	
<1.5V	
1KHZ	500HZ
0.2ms/0.2ms	0.5ms/0.5ms
<15%(Sr)	
<1.0%(Sr)	
IP67	
-25°C - +70°C	
<10%(Sr)	
YES	
220mA	
Stainless steel	

P1C1F1805NOEA4	31	P1C2F1808NOEA4
P1C1F1805NCEA4	32	P1C2F1808NCEA4
P1C1F1805POEA4	33	P1C2F1808POEA4
P1C1F1805PCEA4	34	P1C2F1808PCEA4
P4C1F1805COEA4	37	P4C2F1808COEA4
P4C1F1805CCEA4	38	P4C2F1808CCEA4
P3C1F1805NOEA4	31	P3C2F1808NOEA4
P3C1F1805NCEA4	32	P3C2F1808NCEA4
P3C1F1805POEA4	33	P3C2F1808POEA4
P3C1F1805PCEA4	34	P3C2F1808PCEA4



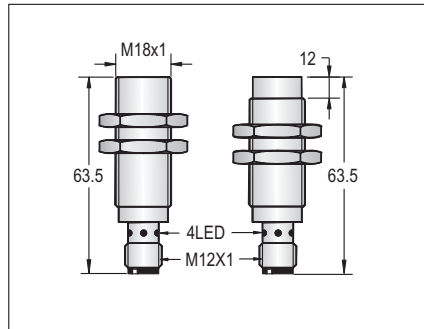
Approx.84 g	Approx.80 g
-------------	-------------

M18	
●	○
5 mm	8 mm
Stainless steel	
●	



10-30VDC / 10-55VDC / 10-60VDC	
<10%	
<10mA	
200mA	
<0.01mA	
<1.5V	
1KHZ	500HZ
0.2ms/0.2ms	0.5ms/0.5ms
<15%(Sr)	
<1.0%(Sr)	
IP67	
-25°C - +70°C	
<10%(Sr)	
YES	
220mA	
Stainless steel	

P1C1F1805NOER4	31	P1C2F1808NOER4
P1C1F1805NCER4	32	P1C2F1808NCER4
P1C1F1805POER4	33	P1C2F1808POER4
P1C1F1805PCER4	34	P1C2F1808PCER4
P4C1F1805COER4	37	P4C2F1808COER4
P4C1F1805CCER4	38	P4C2F1808CCER4
P3C1F1805NOER4	31	P3C2F1808NOER4
P3C1F1805NCER4	32	P3C2F1808NCER4
P3C1F1805POER4	33	P3C2F1808POER4
P3C1F1805PCER4	34	P3C2F1808PCER4



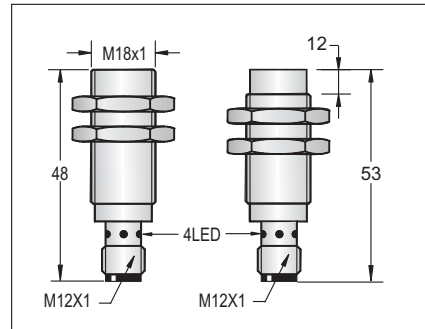
Approx.68 g	Approx.65 g
-------------	-------------

M18	
●	○
5 mm	8 mm
Stainless steel	
●	



10-30VDC / 10-55VDC / 10-60VDC	
<10%	
<10mA	
200mA	
<0.01mA	
<1.5V	
1KHZ	500HZ
0.2ms/0.2ms	0.5ms/0.5ms
<15%(Sr)	
<1.0%(Sr)	
IP67	
-25°C - +70°C	
<10%(Sr)	
YES	
220mA	
Stainless steel	

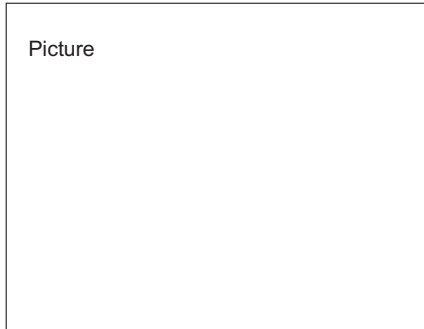
P1C1F1805NOES4	31	P1C2F1808NOES4
P1C1F1805NCES4	32	P1C2F1808NCES4
P1C1F1805POES4	33	P1C2F1808POES4
P1C1F1805PCES4	34	P1C2F1808PCES4
P4C1F1805COES4	37	P4C2F1808COES4
P4C1F1805CCES4	38	P4C2F1808CCES4
P3C1F1805NOES4	31	P3C2F1808NOES4
P3C1F1805NCES4	32	P3C2F1808NCES4
P3C1F1805POES4	33	P3C2F1808POES4
P3C1F1805PCES4	34	P3C2F1808PCES4



Approx.50 g	Approx.54 g
-------------	-------------

DC METAL FACE INDUCTIVE PROXIMITY SENSORS

Diameter
● Shielded ○ Non-shielded
Switching Distance Sn: mm
Housing Material
● With LED ○ Without LED



Operating Voltage	10-30VDC / 10-55VDC / 10-60VDC
Ripple	<10%
No Load Current	<10mA
Max. Load Current	200mA
Leakage Current	<0.01mA
Voltage Drop	<1.5V
Switching Frequency	1KHZ 500HZ
Response Time	0.2ms/0.2ms 0.5ms/0.5ms
Switching Hysteresis	<15%(Sr)
Repeat Accuracy	<1.0%(Sr)
Protection Category	IP67
Operating Temperature	-25 °C - +70 °C
Temperature Drift	<10%(Sr)
Short Circuit Protection	YES
Overload Trip Point	220mA
Material Active Face	Stainless steel

DC 3 wire 10-30V NPN N.O.	P1C1F1805NOZA4	43	P1C2F1808NOZA4
DC 3 wire 10-30V NPN N.C.	P1C1F1805NCZA4	44	P1C2F1808NCZA4
DC 3 wire 10-30V PNP N.O.	P1C1F1805POZA4	45	P1C2F1808POZA4
DC 3 wire 10-30V PNP N.C.	P1C1F1805PCZA4	46	P1C2F1808PCZA4
DC 4 wire 10-30V Changeover PNP (N.O. & N.C.)			
DC 4 wire 10-30V Changeover NPN (N.O. & N.C.)			
DC 2 wire 10-60V N.O. *	P4C1F1805COZA4	49	P4C2F1808COZA4
DC 2 wire 10-60V N.C. *	P4C1F1805CCZA4	50	P4C2F1808CCZA4
DC 3 wire 10-55V NPN N.O.	P3C1F1805NOZA4	43	P3C2F1808NOZA4
DC 3 wire 10-55V NPN N.C.	P3C1F1805NCZA4	44	P3C2F1808NCZA4
DC 3 wire 10-55V PNP N.O.	P3C1F1805POZA4	45	P3C2F1808POZA4
DC 3 wire 10-55V PNP N.C.	P3C1F1805PCZA4	46	P3C2F1808PCZA4
DC 3 wire 5-36V NPN N.O.			
DC 3 wire 5-36V NPN N.C.			
DC 3 wire 5-36V PNP N.O.			
DC 3 wire 5-36V PNP N.C.			
DC 4 wire 5-36V Changeover PNP (N.O. & N.C.)			
DC 4 wire 5-36V Changeover NPN (N.O. & N.C.)			

Dimensions (unit: mm)

* : DC 2 wire 10-60V specifications see page 3-05. Other is same.

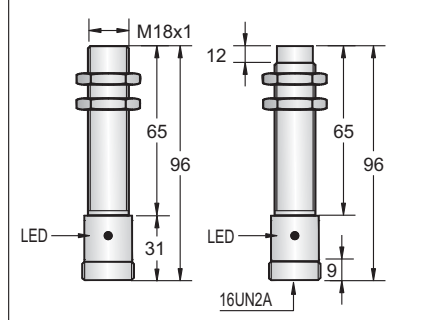
Cable 2M (PVC)
Weight

M18	
●	○
5 mm	8 mm
Stainless steel	
●	



Operating Voltage	10-30VDC / 10-55VDC / 10-60VDC
Ripple	<10%
No Load Current	<10mA
Max. Load Current	200mA
Leakage Current	<0.01mA
Voltage Drop	<1.5V
Switching Frequency	1KHZ 500HZ
Response Time	0.2ms/0.2ms 0.5ms/0.5ms
Switching Hysteresis	<15%(Sr)
Repeat Accuracy	<1.0%(Sr)
Protection Category	IP67
Operating Temperature	-25 °C - +70 °C
Temperature Drift	<10%(Sr)
Short Circuit Protection	YES
Overload Trip Point	220mA
Material Active Face	Stainless steel

DC 3 wire 10-30V NPN N.O.	P1C1F1805NOZA4	43	P1C2F1808NOZA4
DC 3 wire 10-30V NPN N.C.	P1C1F1805NCZA4	44	P1C2F1808NCZA4
DC 3 wire 10-30V PNP N.O.	P1C1F1805POZA4	45	P1C2F1808POZA4
DC 3 wire 10-30V PNP N.C.	P1C1F1805PCZA4	46	P1C2F1808PCZA4
DC 4 wire 10-30V Changeover PNP (N.O. & N.C.)			
DC 4 wire 10-30V Changeover NPN (N.O. & N.C.)			
DC 2 wire 10-60V N.O. *	P4C1F1805COZA4	49	P4C2F1808COZA4
DC 2 wire 10-60V N.C. *	P4C1F1805CCZA4	50	P4C2F1808CCZA4
DC 3 wire 10-55V NPN N.O.	P3C1F1805NOZA4	43	P3C2F1808NOZA4
DC 3 wire 10-55V NPN N.C.	P3C1F1805NCZA4	44	P3C2F1808NCZA4
DC 3 wire 10-55V PNP N.O.	P3C1F1805POZA4	45	P3C2F1808POZA4
DC 3 wire 10-55V PNP N.C.	P3C1F1805PCZA4	46	P3C2F1808PCZA4
DC 3 wire 5-36V NPN N.O.			
DC 3 wire 5-36V NPN N.C.			
DC 3 wire 5-36V PNP N.O.			
DC 3 wire 5-36V PNP N.C.			
DC 4 wire 5-36V Changeover PNP (N.O. & N.C.)			
DC 4 wire 5-36V Changeover NPN (N.O. & N.C.)			



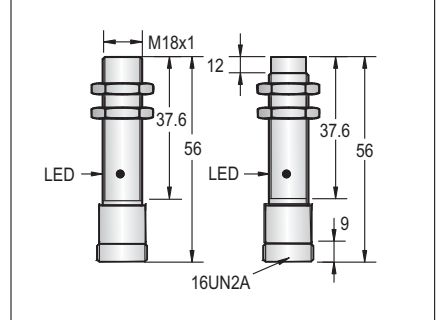
Weight	Approx.94 g	Approx.91 g
--------	-------------	-------------

M18	
●	○
5 mm	8 mm
Stainless steel	
●	



Operating Voltage	10-30VDC / 10-55VDC / 10-60VDC
Ripple	<10%
No Load Current	<10mA
Max. Load Current	200mA
Leakage Current	<0.01mA
Voltage Drop	<1.5V
Switching Frequency	1KHZ 500HZ
Response Time	0.2ms/0.2ms 0.5ms/0.5ms
Switching Hysteresis	<15%(Sr)
Repeat Accuracy	<1.0%(Sr)
Protection Category	IP67
Operating Temperature	-25 °C - +70 °C
Temperature Drift	<10%(Sr)
Short Circuit Protection	YES
Overload Trip Point	220mA
Material Active Face	Stainless steel

DC 3 wire 10-30V NPN N.O.	P1C1F1805NOZR4	43	P1C2F1808NOZR4
DC 3 wire 10-30V NPN N.C.	P1C1F1805NCZR4	44	P1C2F1808NCZR4
DC 3 wire 10-30V PNP N.O.	P1C1F1805POZR4	45	P1C2F1808POZR4
DC 3 wire 10-30V PNP N.C.	P1C1F1805PCZR4	46	P1C2F1808PCZR4
DC 4 wire 10-30V Changeover PNP (N.O. & N.C.)			
DC 4 wire 10-30V Changeover NPN (N.O. & N.C.)			
DC 2 wire 10-60V N.O. *	P4C1F1805COZR4	49	P4C2F1808COZR4
DC 2 wire 10-60V N.C. *	P4C1F1805CCZR4	50	P4C2F1808CCZR4
DC 3 wire 10-55V NPN N.O.	P3C1F1805NOZR4	43	P3C2F1808NOZR4
DC 3 wire 10-55V NPN N.C.	P3C1F1805NCZR4	44	P3C2F1808NCZR4
DC 3 wire 10-55V PNP N.O.	P3C1F1805POZR4	45	P3C2F1808POZR4
DC 3 wire 10-55V PNP N.C.	P3C1F1805PCZR4	46	P3C2F1808PCZR4
DC 3 wire 5-36V NPN N.O.			
DC 3 wire 5-36V NPN N.C.			
DC 3 wire 5-36V PNP N.O.			
DC 3 wire 5-36V PNP N.C.			
DC 4 wire 5-36V Changeover PNP (N.O. & N.C.)			
DC 4 wire 5-36V Changeover NPN (N.O. & N.C.)			



Weight	Approx.68 g	Approx.65 g
--------	-------------	-------------

DC METAL FACE INDUCTIVE PROXIMITY SENSORS

M18

8 mm 16 mm

Stainless steel



10-30VDC
 <10%
 <10mA
 200mA
 <0.01mA

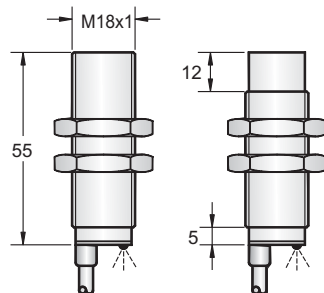
<1.5V <2.0V
 500HZ 150HZ
 0.5ms/0.5ms 1ms/1ms

<15%(Sr)
 <1.0%(Sr)
 IP67
 -25°C - +70°C

<10%(Sr)
 YES
 220mA

Stainless steel

P1C1F1808NO3A2	1	P1C2F1816NO3A2
P1C1F1808NC3A2	2	P1C2F1816NC3A2
P1C1F1808PO3A2	3	P1C2F1816PO3A2
P1C1F1808PC3A2	4	P1C2F1816PC3A2



4 ϕ 3x0.34
 Approx. 161 g Approx. 160 g

M18

8 mm 16 mm

Stainless steel



10-30VDC
 <10%
 <10mA
 200mA
 <0.01mA

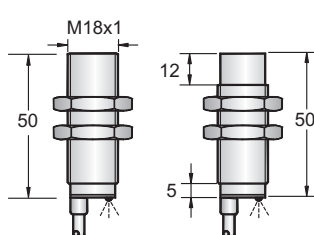
<1.5V <2.0V
 500HZ 150HZ
 0.5ms/0.5ms 1ms/1ms

<15%(Sr)
 <1.0%(Sr)
 IP67
 -25°C - +70°C

<10%(Sr)
 YES
 220mA

Stainless steel

P1C1F1808NO3R2	1	P1C2F1816NO3R2
P1C1F1808NC3R2	2	P1C2F1816NC3R2
P1C1F1808PO3R2	3	P1C2F1816PO3R2
P1C1F1808PC3R2	4	P1C2F1816PC3R2



4 ϕ 3x0.34
 Approx. 150 g Approx. 140 g

M18

8mm

Stainless steel



10-30VDC
 <10%
 <10mA
 200mA
 <0.01mA

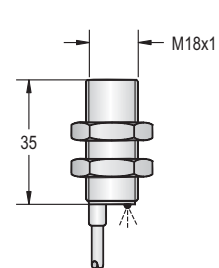
<1.5V
 500HZ
 0.5ms/0.5ms

<15%(Sr)
 <1.0%(Sr)
 IP67
 -25°C - +70°C

<10%(Sr)
 YES
 220mA

Stainless steel

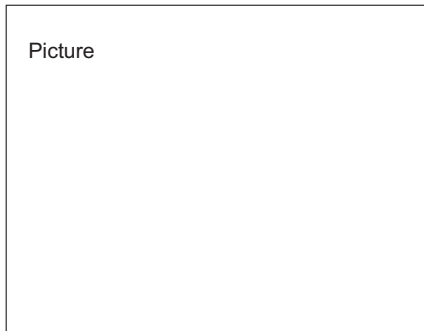
P1C1F1808NO3S2	1
P1C1F1808NC3S2	2
P1C1F1808PO3S2	3
P1C1F1808PC3S2	4



4 ϕ 3x0.34
 Approx. 132 g

DC METAL FACE INDUCTIVE PROXIMITY SENSORS

Diameter
● Shielded ○ Non-shielded
Switching Distance Sn: mm
Housing Material
● With LED ○ Without LED



Operating Voltage	10-30VDC	
Ripple	<10%	
No Load Current	<10mA	
Max. Load Current	200mA	
Leakage Current	<0.01mA	
Voltage Drop	<1.5V	<2.0V
Switching Frequency	500HZ	150HZ
Response Time	0.5ms/0.5ms	1ms/1ms
Switching Hysteresis	<15%(Sr)	
Repeat Accuracy	<1.0%(Sr)	
Protection Category	IP67	
Operating Temperature	-25°C - +70°C	
Temperature Drift	<10%(Sr)	
Short Circuit Protection	YES	
Overload Trip Point	220mA	
Material Active Face	Stainless steel	

DC 3 wire 10-30V NPN N.O.	P1C1F1808NOEA4	31	P1C2F1816NOEA4
DC 3 wire 10-30V NPN N.C.	P1C1F1808NCEA4	32	P1C2F1816NCEA4
DC 3 wire 10-30V PNP N.O.	P1C1F1808POEA4	33	P1C2F1816POEA4
DC 3 wire 10-30V PNP N.C.	P1C1F1808PCEA4	34	P1C2F1816PCEA4
DC 4 wire 10-30V Changeover PNP (N.O. & N.C.)			
DC 4 wire 10-30V Changeover NPN (N.O. & N.C.)			
DC 2 wire 10-60V N.O.			
DC 2 wire 10-60V N.C.			
DC 3 wire 10-55V NPN N.O.			
DC 3 wire 10-55V NPN N.C.			
DC 3 wire 10-55V PNP N.O.			
DC 3 wire 10-55V PNP N.C.			
DC 3 wire 5-36V NPN N.O.			
DC 3 wire 5-36V NPN N.C.			
DC 3 wire 5-36V PNP N.O.			
DC 3 wire 5-36V PNP N.C.			
DC 4 wire 5-36V Changeover PNP (N.O. & N.C.)			
DC 4 wire 5-36V Changeover NPN (N.O. & N.C.)			

Dimensions (unit: mm)

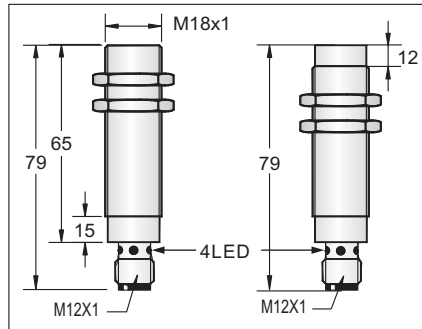
Cable 2M (PVC)
Weight

M18	
●	○
8 mm	16 mm
Stainless steel	
●	



Operating Voltage	10-30VDC	
Ripple	<10%	
No Load Current	<10mA	
Max. Load Current	200mA	
Leakage Current	<0.01mA	
Voltage Drop	<1.5V	<2.0V
Switching Frequency	500HZ	150HZ
Response Time	0.5ms/0.5ms	1ms/1ms
Switching Hysteresis	<15%(Sr)	
Repeat Accuracy	<1.0%(Sr)	
Protection Category	IP67	
Operating Temperature	-25°C - +70°C	
Temperature Drift	<10%(Sr)	
Short Circuit Protection	YES	
Overload Trip Point	220mA	
Material Active Face	Stainless steel	

DC 3 wire 10-30V NPN N.O.	P1C1F1808NOEA4	31	P1C2F1816NOEA4
DC 3 wire 10-30V NPN N.C.	P1C1F1808NCEA4	32	P1C2F1816NCEA4
DC 3 wire 10-30V PNP N.O.	P1C1F1808POEA4	33	P1C2F1816POEA4
DC 3 wire 10-30V PNP N.C.	P1C1F1808PCEA4	34	P1C2F1816PCEA4
DC 4 wire 10-30V Changeover PNP (N.O. & N.C.)			
DC 4 wire 10-30V Changeover NPN (N.O. & N.C.)			
DC 2 wire 10-60V N.O.			
DC 2 wire 10-60V N.C.			
DC 3 wire 10-55V NPN N.O.			
DC 3 wire 10-55V NPN N.C.			
DC 3 wire 10-55V PNP N.O.			
DC 3 wire 10-55V PNP N.C.			
DC 3 wire 5-36V NPN N.O.			
DC 3 wire 5-36V NPN N.C.			
DC 3 wire 5-36V PNP N.O.			
DC 3 wire 5-36V PNP N.C.			
DC 4 wire 5-36V Changeover PNP (N.O. & N.C.)			
DC 4 wire 5-36V Changeover NPN (N.O. & N.C.)			



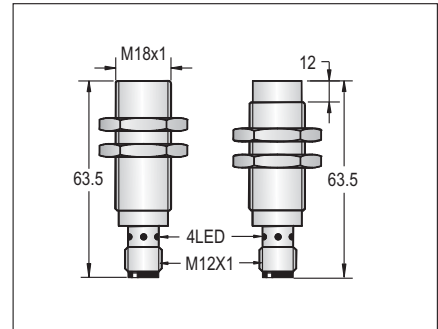
Weight	Approx.84 g	Approx.80 g
--------	-------------	-------------

M18	
●	○
8 mm	16 mm
Stainless steel	
●	



Operating Voltage	10-30VDC	
Ripple	<10%	
No Load Current	<10mA	
Max. Load Current	200mA	
Leakage Current	<0.01mA	
Voltage Drop	<1.5V	<2.0V
Switching Frequency	500HZ	150HZ
Response Time	0.5ms/0.5ms	1ms/1ms
Switching Hysteresis	<15%(Sr)	
Repeat Accuracy	<1.0%(Sr)	
Protection Category	IP67	
Operating Temperature	-25°C - +70°C	
Temperature Drift	<10%(Sr)	
Short Circuit Protection	YES	
Overload Trip Point	220mA	
Material Active Face	Stainless steel	

DC 3 wire 10-30V NPN N.O.	P1C1F1808NOER4	31	P1C2F1816NOER4
DC 3 wire 10-30V NPN N.C.	P1C1F1808NCER4	32	P1C2F1816NCER4
DC 3 wire 10-30V PNP N.O.	P1C1F1808POER4	33	P1C2F1816POER4
DC 3 wire 10-30V PNP N.C.	P1C1F1808PCER4	34	P1C2F1816PCER4
DC 4 wire 10-30V Changeover PNP (N.O. & N.C.)			
DC 4 wire 10-30V Changeover NPN (N.O. & N.C.)			
DC 2 wire 10-60V N.O.			
DC 2 wire 10-60V N.C.			
DC 3 wire 10-55V NPN N.O.			
DC 3 wire 10-55V NPN N.C.			
DC 3 wire 10-55V PNP N.O.			
DC 3 wire 10-55V PNP N.C.			
DC 3 wire 5-36V NPN N.O.			
DC 3 wire 5-36V NPN N.C.			
DC 3 wire 5-36V PNP N.O.			
DC 3 wire 5-36V PNP N.C.			
DC 4 wire 5-36V Changeover PNP (N.O. & N.C.)			
DC 4 wire 5-36V Changeover NPN (N.O. & N.C.)			



Weight	Approx.68 g	Approx.65 g
--------	-------------	-------------

DC METAL FACE INDUCTIVE PROXIMITY SENSORS

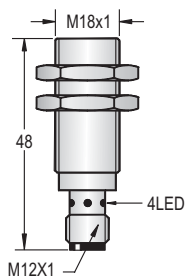
M18
●
8 mm
Stainless steel
●



CE

10-30VDC
<10%
<10mA
200mA
<0.01mA
<1.5V
500HZ
0.5ms/0.5ms
<15%(Sr)
<1.0%(Sr)
IP67
-25°C - +70°C
<10%(Sr)
YES
220mA
Stainless steel

P1C1F1808NOES4	31
P1C1F1808NCES4	32
P1C1F1808POES4	33
P1C1F1808PCES4	34



Approx.50 g

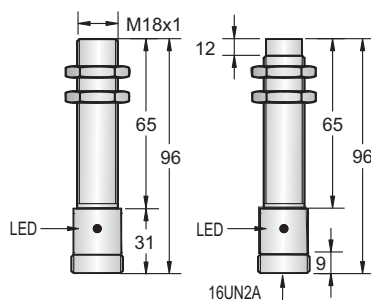
M18	
●	○
8 mm	16 mm
Stainless steel	
●	



CE

10-30VDC	
<10%	
<10mA	
200mA	
<0.01mA	
<1.5V	<2.0V
500HZ	150HZ
0.5ms/0.5ms	1ms/1ms
<15%(Sr)	
<1.0%(Sr)	
IP67	
-25°C - +70°C	
<10%(Sr)	
YES	
220mA	
Stainless steel	

P1C1F1808NOZA4	43	P1C2F1816NOZA4
P1C1F1808NCZA4	44	P1C2F1816NCZA4
P1C1F1808POZA4	45	P1C2F1816POZA4
P1C1F1808PCZA4	46	P1C2F1816PCZA4



Approx.94 g

Approx.91 g

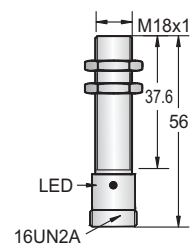
M18
●
8 mm
Stainless steel
●



CE

10-30VDC
<10%
<10mA
200mA
<0.01mA
<1.5V
500HZ
0.5ms/0.5ms
<15%(Sr)
<1.0%(Sr)
IP67
-25°C - +70°C
<10%(Sr)
YES
220mA
Stainless steel

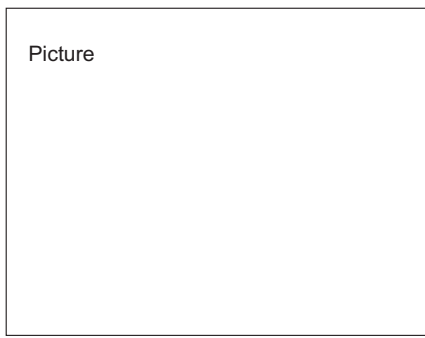
P1C1F1808NOZR4	43
P1C1F1808NCZR4	44
P1C1F1808POZR4	45
P1C1F1808PCZR4	46



Approx.68 g

DC METAL FACE INDUCTIVE PROXIMITY SENSORS

Diameter
● Shielded ○ Non-shielded
Switching Distance Sn: mm
Housing Material
● With LED ○ Without LED

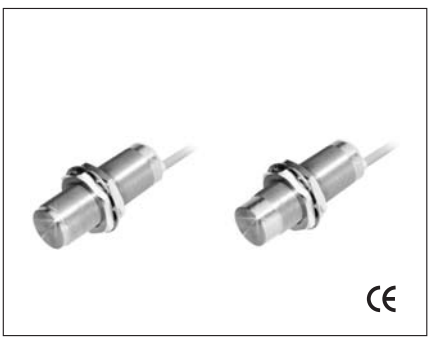


Operating Voltage	10-30VDC
Ripple	<10%
No Load Current	<10mA
Max. Load Current	200mA
Leakage Current	<0.01mA
Voltage Drop	<2.0V
Switching Frequency	300HZ 100HZ
Response Time	0.5ms/0.5ms 1ms/1ms
Switching Hysteresis	<15%(Sr)
Repeat Accuracy	<1.0%(Sr)
Protection Category	IP67
Operating Temperature	-25°C - +70°C
Temperature Drift	<10%(Sr)
Short Circuit Protection	YES
Overload Trip Point	220mA
Material Active Face	Stainless steel
DC 3 wire 10-30V NPN N.O.	P1C1F1812NO3A2 1 P1C2F1820NO3A2
DC 3 wire 10-30V NPN N.C.	P1C1F1812NC3A2 2 P1C2F1820NC3A2
DC 3 wire 10-30V PNP N.O.	P1C1F1812PO3A2 3 P1C2F1820PO3A2
DC 3 wire 10-30V PNP N.C.	P1C1F1812PC3A2 4 P1C2F1820PC3A2
DC 4 wire 10-30V Changeover PNP (N.O. & N.C.)	
DC 4 wire 10-30V Changeover NPN (N.O. & N.C.)	
DC 2 wire 10-60V N.O.	
DC 2 wire 10-60V N.C.	
DC 3 wire 10-55V NPN N.O.	
DC 3 wire 10-55V NPN N.C.	
DC 3 wire 10-55V PNP N.O.	
DC 3 wire 10-55V PNP N.C.	
DC 3 wire 5-36V NPN N.O.	
DC 3 wire 5-36V NPN N.C.	
DC 3 wire 5-36V PNP N.O.	
DC 3 wire 5-36V PNP N.C.	
DC 4 wire 5-36V Changeover PNP (N.O. & N.C.)	
DC 4 wire 5-36V Changeover NPN (N.O. & N.C.)	

Dimensions (unit: mm)

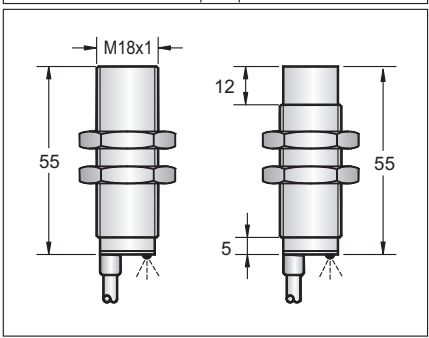
Cable 2M (PVC)
Weight

M18	
●	○
12 mm	20 mm
Stainless steel	
●	



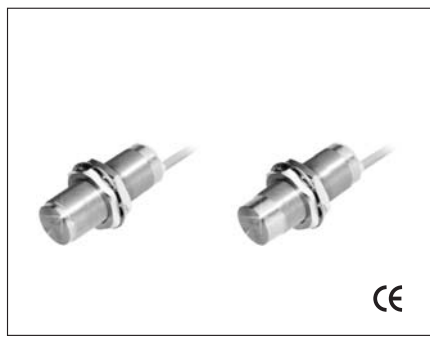
Operating Voltage	10-30VDC
Ripple	<10%
No Load Current	<10mA
Max. Load Current	200mA
Leakage Current	<0.01mA
Voltage Drop	<2.0V
Switching Frequency	300HZ 100HZ
Response Time	0.5ms/0.5ms 1ms/1ms
Switching Hysteresis	<15%(Sr)
Repeat Accuracy	<1.0%(Sr)
Protection Category	IP67
Operating Temperature	-25°C - +70°C
Temperature Drift	<10%(Sr)
Short Circuit Protection	YES
Overload Trip Point	220mA
Material Active Face	Stainless steel

DC 3 wire 10-30V NPN N.O.	P1C1F1812NO3A2 1 P1C2F1820NO3A2
DC 3 wire 10-30V NPN N.C.	P1C1F1812NC3A2 2 P1C2F1820NC3A2
DC 3 wire 10-30V PNP N.O.	P1C1F1812PO3A2 3 P1C2F1820PO3A2
DC 3 wire 10-30V PNP N.C.	P1C1F1812PC3A2 4 P1C2F1820PC3A2
DC 4 wire 10-30V Changeover PNP (N.O. & N.C.)	
DC 4 wire 10-30V Changeover NPN (N.O. & N.C.)	
DC 2 wire 10-60V N.O.	
DC 2 wire 10-60V N.C.	
DC 3 wire 10-55V NPN N.O.	
DC 3 wire 10-55V NPN N.C.	
DC 3 wire 10-55V PNP N.O.	
DC 3 wire 10-55V PNP N.C.	
DC 3 wire 5-36V NPN N.O.	
DC 3 wire 5-36V NPN N.C.	
DC 3 wire 5-36V PNP N.O.	
DC 3 wire 5-36V PNP N.C.	
DC 4 wire 5-36V Changeover PNP (N.O. & N.C.)	
DC 4 wire 5-36V Changeover NPN (N.O. & N.C.)	



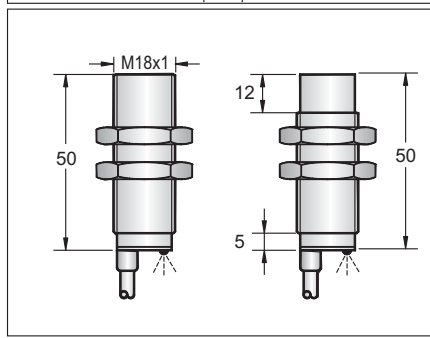
4 φ3x0.34	
Approx.161 g	Approx.160 g

M18	
●	○
12 mm	20 mm
Stainless steel	
●	



Operating Voltage	10-30VDC
Ripple	<10%
No Load Current	<10mA
Max. Load Current	200mA
Leakage Current	<0.01mA
Voltage Drop	<2.0V
Switching Frequency	300HZ 100HZ
Response Time	0.5ms/0.5ms 1ms/1ms
Switching Hysteresis	<15%(Sr)
Repeat Accuracy	<1.0%(Sr)
Protection Category	IP67
Operating Temperature	-25°C - +70°C
Temperature Drift	<10%(Sr)
Short Circuit Protection	YES
Overload Trip Point	220mA
Material Active Face	Stainless steel

DC 3 wire 10-30V NPN N.O.	P1C1F1812NO3R2 1 P1C2F1820NO3R2
DC 3 wire 10-30V NPN N.C.	P1C1F1812NC3R2 2 P1C2F1820NC3R2
DC 3 wire 10-30V PNP N.O.	P1C1F1812PO3R2 3 P1C2F1820PO3R2
DC 3 wire 10-30V PNP N.C.	P1C1F1812PC3R2 4 P1C2F1820PC3R2
DC 4 wire 10-30V Changeover PNP (N.O. & N.C.)	
DC 4 wire 10-30V Changeover NPN (N.O. & N.C.)	
DC 2 wire 10-60V N.O.	
DC 2 wire 10-60V N.C.	
DC 3 wire 10-55V NPN N.O.	
DC 3 wire 10-55V NPN N.C.	
DC 3 wire 10-55V PNP N.O.	
DC 3 wire 10-55V PNP N.C.	
DC 3 wire 5-36V NPN N.O.	
DC 3 wire 5-36V NPN N.C.	
DC 3 wire 5-36V PNP N.O.	
DC 3 wire 5-36V PNP N.C.	
DC 4 wire 5-36V Changeover PNP (N.O. & N.C.)	
DC 4 wire 5-36V Changeover NPN (N.O. & N.C.)	



4 φ3x0.34	
Approx.150 g	Approx.140g

DC METAL FACE INDUCTIVE PROXIMITY SENSORS

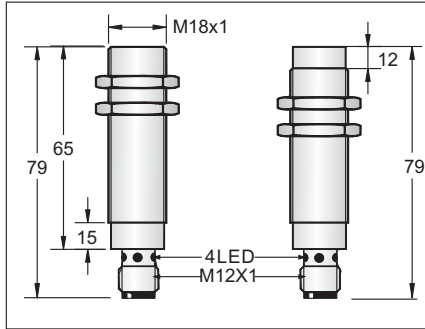
M18	
●	○
12 mm	20 mm
Stainless steel	
●	



CE

10-30VDC	
<10%	
<10mA	
200mA	
<0.01mA	
<2.0V	
300HZ	100HZ
0.5ms/0.5ms	1ms/1ms
<15%(Sr)	
<1.0%(Sr)	
IP67	
-25°C - +70°C	
<10%(Sr)	
YES	
220mA	
Stainless steel	

P1C1F1812NOEA4	31	P1C2F1820NOEA4
P1C1F1812NCEA4	32	P1C2F1820NCEA4
P1C1F1812POEA4	33	P1C2F1820POEA4
P1C1F1812PCEA4	34	P1C2F1820PCEA4



Approx.84g	Approx.80g
------------	------------

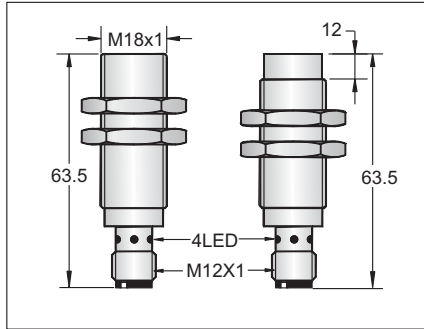
M18	
●	○
12 mm	20 mm
Stainless steel	
●	



CE

10-30VDC	
<10%	
<10mA	
200mA	
<0.01mA	
<2.0V	
300HZ	100HZ
0.5ms/0.5ms	1ms/1ms
<15%(Sr)	
<1.0%(Sr)	
IP67	
-25°C - +70°C	
<10%(Sr)	
YES	
220mA	
Stainless steel	

P1C1F1812NOER4	31	P1C2F1820NOER4
P1C1F1812NCER4	32	P1C2F1820NCER4
P1C1F1812POER4	33	P1C2F1820POER4
P1C1F1812PCER4	34	P1C2F1820PCER4



Approx.68g	Approx.65g
------------	------------

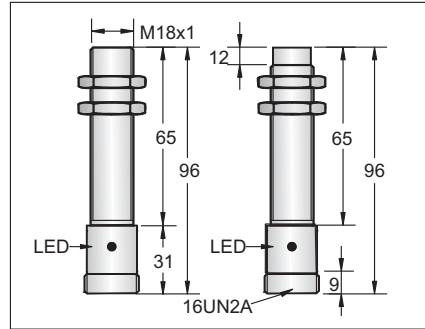
M18	
●	○
12 mm	20 mm
Stainless steel	
●	



CE

10-30VDC	
<10%	
<10mA	
200mA	
<0.01mA	
<2.0V	
300HZ	100HZ
0.5ms/0.5ms	1ms/1ms
<15%(Sr)	
<1.0%(Sr)	
IP67	
-25°C - +70°C	
<10%(Sr)	
YES	
220mA	
Stainless steel	

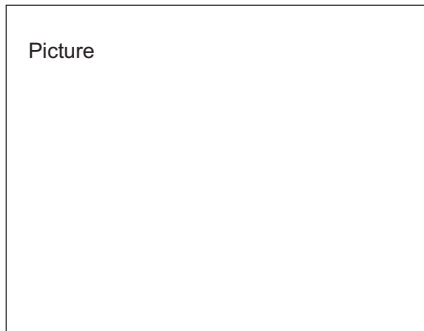
P1C1F1812NOZA4	43	P1C2F1820NOZA4
P1C1F1812NCZA4	44	P1C2F1820NCZA4
P1C1F1812POZA4	45	P1C2F1820POZA4
P1C1F1812PCZA4	46	P1C2F1820PCZA4



Approx.94g	Approx.91g
------------	------------

DC METAL FACE INDUCTIVE PROXIMITY SENSORS

Diameter
● Shielded ○ Non-shielded
Switching Distance Sn: mm
Housing Material
● With LED ○ Without LED



Operating Voltage	10-30VDC / 10-55VDC / 10-60VDC
Ripple	<10%
No Load Current	<10mA
Max. Load Current	200mA
Leakage Current	<0.01mA
Voltage Drop	<1.5V
Switching Frequency	300HZ 150HZ
Response Time	0.5ms/0.5ms 1ms/1ms
Switching Hysteresis	<15%(Sr)
Repeat Accuracy	<1.0%(Sr)
Protection Category	IP67
Operating Temperature	-25°C - +70°C
Temperature Drift	<10%(Sr)
Short Circuit Protection	YES
Overload Trip Point	220mA
Material Active Face	Stainless steel

DC 3 wire 10-30V NPN N.O.	P1C1F3010NO3L2	1	P1C2F3015NO3L2
DC 3 wire 10-30V NPN N.C.	P1C1F3010NC3L2	2	P1C2F3015NC3L2
DC 3 wire 10-30V PNP N.O.	P1C1F3010PO3L2	3	P1C2F3015PO3L2
DC 3 wire 10-30V PNP N.C.	P1C1F3010PC3L2	4	P1C2F3015PC3L2
DC 4 wire 10-30V Changeover PNP (N.O. & N.C.)			
DC 4 wire 10-30V Changeover NPN (N.O. & N.C.)			
DC 2 wire 10-60V N.O. *	P4C1F3010CO2L2	7	P4C2F3015CO2L2
DC 2 wire 10-60V N.C. *	P4C1F3010CC2L2	8	P4C2F3015CC2L2
DC 3 wire 10-55V NPN N.O.	P3C1F3010NO3L2	1	P3C2F3015NO3L2
DC 3 wire 10-55V NPN N.C.	P3C1F3010NC3L2	2	P3C2F3015NC3L2
DC 3 wire 10-55V PNP N.O.	P3C1F3010PO3L2	3	P3C2F3015PO3L2
DC 3 wire 10-55V PNP N.C.	P3C1F3010PC3L2	4	P3C2F3015PC3L2
DC 3 wire 5-36V NPN N.O.			
DC 3 wire 5-36V NPN N.C.			
DC 3 wire 5-36V PNP N.O.			
DC 3 wire 5-36V PNP N.C.			
DC 4 wire 5-36V Changeover PNP (N.O. & N.C.)			
DC 4 wire 5-36V Changeover NPN (N.O. & N.C.)			

Dimensions (unit: mm)

* : DC 2wire 10-60V specifications see page 3-05. Other is same.

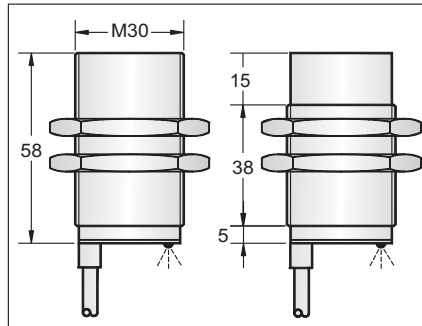
Cable 2M (PVC)	5-8 ϕ 3x0.5
Weight	Approx.217 g Approx.207 g

M30	
●	○
10 mm	15 mm
Stainless steel	
●	



Operating Voltage	10-30VDC / 10-55VDC / 10-60VDC
Ripple	<10%
No Load Current	<10mA
Max. Load Current	200mA
Leakage Current	<0.01mA
Voltage Drop	<1.5V
Switching Frequency	300HZ 150HZ
Response Time	0.5ms/0.5ms 1ms/1ms
Switching Hysteresis	<15%(Sr)
Repeat Accuracy	<1.0%(Sr)
Protection Category	IP67
Operating Temperature	-25°C - +70°C
Temperature Drift	<10%(Sr)
Short Circuit Protection	YES
Overload Trip Point	220mA
Material Active Face	Stainless steel

DC 3 wire 10-30V NPN N.O.	P1C1F3010NO3L2	1	P1C2F3015NO3L2
DC 3 wire 10-30V NPN N.C.	P1C1F3010NC3L2	2	P1C2F3015NC3L2
DC 3 wire 10-30V PNP N.O.	P1C1F3010PO3L2	3	P1C2F3015PO3L2
DC 3 wire 10-30V PNP N.C.	P1C1F3010PC3L2	4	P1C2F3015PC3L2
DC 4 wire 10-30V Changeover PNP (N.O. & N.C.)			
DC 4 wire 10-30V Changeover NPN (N.O. & N.C.)			
DC 2 wire 10-60V N.O. *	P4C1F3010CO2L2	7	P4C2F3015CO2L2
DC 2 wire 10-60V N.C. *	P4C1F3010CC2L2	8	P4C2F3015CC2L2
DC 3 wire 10-55V NPN N.O.	P3C1F3010NO3L2	1	P3C2F3015NO3L2
DC 3 wire 10-55V NPN N.C.	P3C1F3010NC3L2	2	P3C2F3015NC3L2
DC 3 wire 10-55V PNP N.O.	P3C1F3010PO3L2	3	P3C2F3015PO3L2
DC 3 wire 10-55V PNP N.C.	P3C1F3010PC3L2	4	P3C2F3015PC3L2
DC 3 wire 5-36V NPN N.O.			
DC 3 wire 5-36V NPN N.C.			
DC 3 wire 5-36V PNP N.O.			
DC 3 wire 5-36V PNP N.C.			
DC 4 wire 5-36V Changeover PNP (N.O. & N.C.)			
DC 4 wire 5-36V Changeover NPN (N.O. & N.C.)			



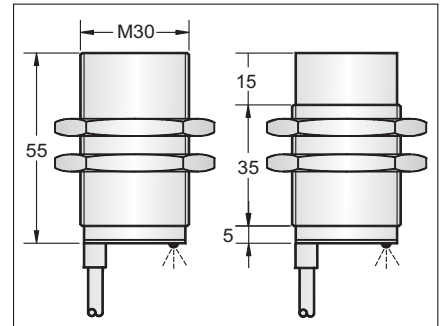
Cable 2M (PVC)	5-8 ϕ 3x0.5
Weight	Approx.217 g Approx.207 g

M30	
●	○
10 mm	15 mm
Stainless steel	
●	



Operating Voltage	10-30VDC / 10-55VDC / 10-60VDC
Ripple	<10%
No Load Current	<10mA
Max. Load Current	200mA
Leakage Current	<0.01mA
Voltage Drop	<1.5V
Switching Frequency	300HZ 150HZ
Response Time	0.5ms/0.5ms 1ms/1ms
Switching Hysteresis	<15%(Sr)
Repeat Accuracy	<1.0%(Sr)
Protection Category	IP67
Operating Temperature	-25°C - +70°C
Temperature Drift	<10%(Sr)
Short Circuit Protection	YES
Overload Trip Point	220mA
Material Active Face	Stainless steel

DC 3 wire 10-30V NPN N.O.	P1C1F3010NO3A2	1	P1C2F3015NO3A2
DC 3 wire 10-30V NPN N.C.	P1C1F3010NC3A2	2	P1C2F3015NC3A2
DC 3 wire 10-30V PNP N.O.	P1C1F3010PO3A2	3	P1C2F3015PO3A2
DC 3 wire 10-30V PNP N.C.	P1C1F3010PC3A2	4	P1C2F3015PC3A2
DC 4 wire 10-30V Changeover PNP (N.O. & N.C.)			
DC 4 wire 10-30V Changeover NPN (N.O. & N.C.)			
DC 2 wire 10-60V N.O. *	P4C1F3010CO2A2	7	P4C2F3015CO2A2
DC 2 wire 10-60V N.C. *	P4C1F3010CC2A2	8	P4C2F3015CC2A2
DC 3 wire 10-55V NPN N.O.	P3C1F3010NO3A2	1	P3C2F3015NO3A2
DC 3 wire 10-55V NPN N.C.	P3C1F3010NC3A2	2	P3C2F3015NC3A2
DC 3 wire 10-55V PNP N.O.	P3C1F3010PO3A2	3	P3C2F3015PO3A2
DC 3 wire 10-55V PNP N.C.	P3C1F3010PC3A2	4	P3C2F3015PC3A2
DC 3 wire 5-36V NPN N.O.			
DC 3 wire 5-36V NPN N.C.			
DC 3 wire 5-36V PNP N.O.			
DC 3 wire 5-36V PNP N.C.			
DC 4 wire 5-36V Changeover PNP (N.O. & N.C.)			
DC 4 wire 5-36V Changeover NPN (N.O. & N.C.)			



Cable 2M (PVC)	5-8 ϕ 3x0.5
Weight	Approx.210 g Approx.200 g

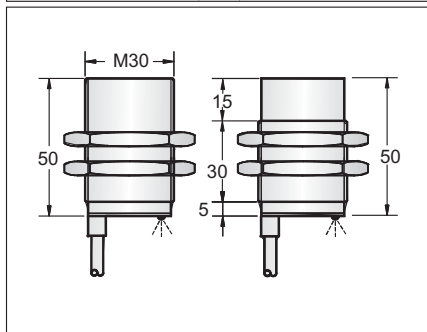
DC METAL FACE INDUCTIVE PROXIMITY SENSORS

M30	
●	○
10 mm	15 mm
Stainless steel	
●	



10-30VDC / 10-55VDC / 10-60VDC	
<10%	
<10mA	
200mA	
<0.01mA	
<1.5V	
300HZ	150HZ
0.5ms/0.5ms	1ms/1ms
<15%(Sr)	
<1.0%(Sr)	
IP67	
-25°C - +70°C	
<10%(Sr)	
YES	
220mA	
stainless steel	

P1C1F3010NO3R2	1	P1C2F3015NO3R2
P1C1F3010NC3R2	2	P1C2F3015NC3R2
P1C1F3010PO3R2	3	P1C2F3015PO3R2
P1C1F3010PC3R2	4	P1C2F3015PC3R2
P4C1F3010CO2R2	7	P4C2F3015CO2R2
P4C1F3010CC2R2	8	P4C2F3015CC2R2
P3C1F3010NO3R2	1	P3C2F3015NO3R2
P3C1F3010NC3R2	2	P3C2F3015NC3R2
P3C1F3010PO3R2	3	P3C2F3015PO3R2
P3C1F3010PC3R2	4	P3C2F3015PC3R2



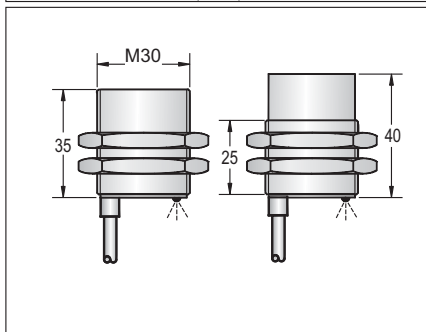
5.8 ϕ 3x0.5	
Approx. 195g	Approx. 190g

M30	
●	○
10 mm	15 mm
Stainless steel	
●	



10-30VDC / 10-55VDC / 10-60VDC	
<10%	
<10mA	
200mA	
<0.01mA	
<1.5V	
300HZ	150HZ
0.5ms/0.5ms	1ms/1ms
<15%(Sr)	
<1.0%(Sr)	
IP67	
-25°C - +70°C	
<10%(Sr)	
YES	
220mA	
stainless steel	

P1C1F3010NO3S2	1	P1C2F3015NO3S2
P1C1F3010NC3S2	2	P1C2F3015NC3S2
P1C1F3010PO3S2	3	P1C2F3015PO3S2
P1C1F3010PC3S2	4	P1C2F3015PC3S2
P4C1F3010CO2S2	7	P4C2F3015CO2S2
P4C1F3010CC2S2	8	P4C2F3015CC2S2
P3C1F3010NO3S2	1	P3C2F3015NO3S2
P3C1F3010NC3S2	2	P3C2F3015NC3S2
P3C1F3010PO3S2	3	P3C2F3015PO3S2
P3C1F3010PC3S2	4	P3C2F3015PC3S2



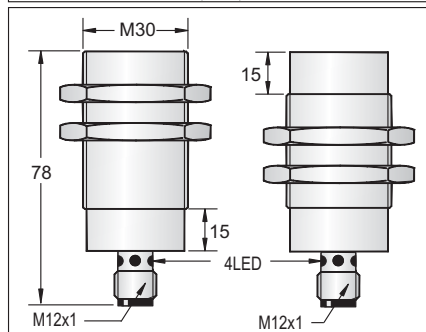
5.8 ϕ 3x0.5	
Approx. 180 g	Approx. 182 g

M30	
●	○
10 mm	15 mm
Stainless steel	
●	



10-30VDC / 10-55VDC / 10-60VDC	
<10%	
<10mA	
200mA	
<0.01mA	
<1.5V	
300HZ	150HZ
0.5ms/0.5ms	1ms/1ms
<15%(Sr)	
<1.0%(Sr)	
IP67	
-25°C - +70°C	
<10%(Sr)	
YES	
220mA	
stainless steel	

P1C1F3010NOEA4	31	P1C2F3015NOEA4
P1C1F3010NCEA4	32	P1C2F3015NCEA4
P1C1F3010POEA4	33	P1C2F3015POEA4
P1C1F3010PCEA4	34	P1C2F3015PCEA4
P4C1F3010COEA4	37	P4C2F3015COEA4
P4C1F3010CCEA4	38	P4C2F3015CCEA4
P3C1F3010NOEA4	31	P3C2F3015NOEA4
P3C1F3010NCEA4	32	P3C2F3015NCEA4
P3C1F3010POEA4	33	P3C2F3015POEA4
P3C1F3010PCEA4	34	P3C2F3015PCEA4



5.8 ϕ 3x0.5	
Approx. 200 g	Approx. 190 g

DC METAL FACE INDUCTIVE PROXIMITY SENSORS

Diameter
● Shielded ○ Non-shielded
Switching Distance Sn: mm
Housing Material
● With LED ○ Without LED



Operating Voltage	10-30VDC / 10-55VDC / 10-60VDC
Ripple	<10%
No Load Current	<10mA
Max. Load Current	200mA
Leakage Current	<0.01mA
Voltage Drop	<1.5V
Switching Frequency	300HZ 150HZ
Response Time	0.5ms/0.5ms 1ms/1ms
Switching Hysteresis	<15%(Sr)
Repeat Accuracy	<1.0%(Sr)
Protection Category	IP67
Operating Temperature	-25°C - +70°C
Temperature Drift	<10%(Sr)
Short Circuit Protection	YES
Overload Trip Point	220mA
Material Active Face	stainless steel

DC 3 wire 10-30V NPN N.O.	P1C1F3010NOEM4	31	P1C2F3015NOEM4
DC 3 wire 10-30V NPN N.C.	P1C1F3010NCEM4	32	P1C2F3015NCEM4
DC 3 wire 10-30V PNP N.O.	P1C1F3010POEM4	33	P1C2F3015POEM4
DC 3 wire 10-30V PNP N.C.	P1C1F3010PCEM4	34	P1C2F3015PCEM4
DC 4 wire 10-30V Changeover PNP (N.O. & N.C.)			
DC 4 wire 10-30V Changeover NPN (N.O. & N.C.)			
DC 2 wire 10-60V N.O. *	P4C1F3010COEM4	37	P4C2F3015COEM4
DC 2 wire 10-60V N.C. *	P4C1F3010CCEM4	38	P4C2F3015CCEM4
DC 3 wire 10-55V NPN N.O.	P3C1F3010NOEM4	31	P3C2F3015NOEM4
DC 3 wire 10-55V NPN N.C.	P3C1F3010NCEM4	32	P3C2F3015NCEM4
DC 3 wire 10-55V PNP N.O.	P3C1F3010POEM4	33	P3C2F3015POEM4
DC 3 wire 10-55V PNP N.C.	P3C1F3010PCEM4	34	P3C2F3015PCEM4
DC 3 wire 5-36V NPN N.O.			
DC 3 wire 5-36V NPN N.C.			
DC 3 wire 5-36V PNP N.O.			
DC 3 wire 5-36V PNP N.C.			
DC 4 wire 5-36V Changeover PNP (N.O. & N.C.)			
DC 4 wire 5-36V Changeover NPN (N.O. & N.C.)			

Dimensions (unit: mm)

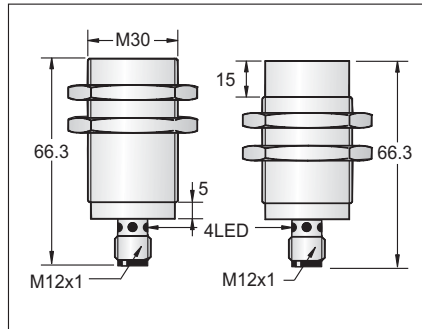
* : DC 2 wire 10-60V specifications see page 3-05. Other is same.

M30	
●	○
10 mm	15 mm
Stainless steel	
●	



Operating Voltage	10-30VDC / 10-55VDC / 10-60VDC
Ripple	<10%
No Load Current	<10mA
Max. Load Current	200mA
Leakage Current	<0.01mA
Voltage Drop	<1.5V
Switching Frequency	300HZ 150HZ
Response Time	0.5ms/0.5ms 1ms/1ms
Switching Hysteresis	<15%(Sr)
Repeat Accuracy	<1.0%(Sr)
Protection Category	IP67
Operating Temperature	-25°C - +70°C
Temperature Drift	<10%(Sr)
Short Circuit Protection	YES
Overload Trip Point	220mA
Material Active Face	stainless steel

DC 3 wire 10-30V NPN N.O.	P1C1F3010NOEM4	31	P1C2F3015NOEM4
DC 3 wire 10-30V NPN N.C.	P1C1F3010NCEM4	32	P1C2F3015NCEM4
DC 3 wire 10-30V PNP N.O.	P1C1F3010POEM4	33	P1C2F3015POEM4
DC 3 wire 10-30V PNP N.C.	P1C1F3010PCEM4	34	P1C2F3015PCEM4
DC 4 wire 10-30V Changeover PNP (N.O. & N.C.)			
DC 4 wire 10-30V Changeover NPN (N.O. & N.C.)			
DC 2 wire 10-60V N.O. *	P4C1F3010COEM4	37	P4C2F3015COEM4
DC 2 wire 10-60V N.C. *	P4C1F3010CCEM4	38	P4C2F3015CCEM4
DC 3 wire 10-55V NPN N.O.	P3C1F3010NOEM4	31	P3C2F3015NOEM4
DC 3 wire 10-55V NPN N.C.	P3C1F3010NCEM4	32	P3C2F3015NCEM4
DC 3 wire 10-55V PNP N.O.	P3C1F3010POEM4	33	P3C2F3015POEM4
DC 3 wire 10-55V PNP N.C.	P3C1F3010PCEM4	34	P3C2F3015PCEM4
DC 3 wire 5-36V NPN N.O.			
DC 3 wire 5-36V NPN N.C.			
DC 3 wire 5-36V PNP N.O.			
DC 3 wire 5-36V PNP N.C.			
DC 4 wire 5-36V Changeover PNP (N.O. & N.C.)			
DC 4 wire 5-36V Changeover NPN (N.O. & N.C.)			



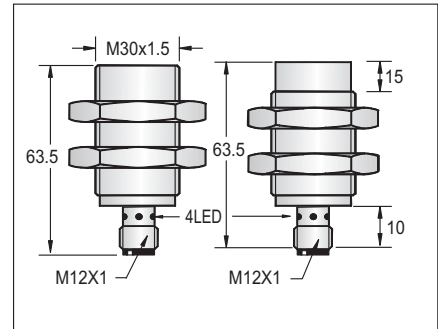
Cable 2M (PVC)	
Weight	Approx.168 g

M30	
●	○
10 mm	15 mm
Stainless steel	
●	



Operating Voltage	10-30VDC / 10-55VDC / 10-60VDC
Ripple	<10%
No Load Current	<10mA
Max. Load Current	200mA
Leakage Current	<0.01mA
Voltage Drop	<1.5V
Switching Frequency	300HZ 150HZ
Response Time	0.5ms/0.5ms 1ms/1ms
Switching Hysteresis	<15%(Sr)
Repeat Accuracy	<1.0%(Sr)
Protection Category	IP67
Operating Temperature	-25°C - +70°C
Temperature Drift	<10%(Sr)
Short Circuit Protection	YES
Overload Trip Point	220mA
Material Active Face	stainless steel

DC 3 wire 10-30V NPN N.O.	P1C1F3010NOER4	31	P1C2F3015NOER4
DC 3 wire 10-30V NPN N.C.	P1C1F3010NCER4	32	P1C2F3015NCER4
DC 3 wire 10-30V PNP N.O.	P1C1F3010POER4	33	P1C2F3015POER4
DC 3 wire 10-30V PNP N.C.	P1C1F3010PCER4	34	P1C2F3015PCER4
DC 4 wire 10-30V Changeover PNP (N.O. & N.C.)			
DC 4 wire 10-30V Changeover NPN (N.O. & N.C.)			
DC 2 wire 10-60V N.O. *	P4C1F3010COER4	37	P4C2F3015COER4
DC 2 wire 10-60V N.C. *	P4C1F3010CCER4	38	P4C2F3015CCER4
DC 3 wire 10-55V NPN N.O.	P3C1F3010NOER4	31	P3C2F3015NOER4
DC 3 wire 10-55V NPN N.C.	P3C1F3010NCER4	32	P3C2F3015NCER4
DC 3 wire 10-55V PNP N.O.	P3C1F3010POER4	33	P3C2F3015POER4
DC 3 wire 10-55V PNP N.C.	P3C1F3010PCER4	34	P3C2F3015PCER4
DC 3 wire 5-36V NPN N.O.			
DC 3 wire 5-36V NPN N.C.			
DC 3 wire 5-36V PNP N.O.			
DC 3 wire 5-36V PNP N.C.			
DC 4 wire 5-36V Changeover PNP (N.O. & N.C.)			
DC 4 wire 5-36V Changeover NPN (N.O. & N.C.)			



Cable 2M (PVC)	
Weight	Approx.160 g

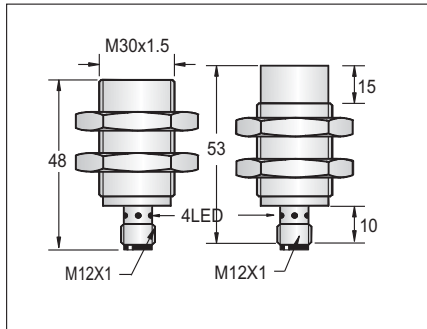
DC METAL FACE INDUCTIVE PROXIMITY SENSORS

M30	
●	○
10 mm	15 mm
Stainless Steel	
●	



10-30VDC / 10-55VDC / 10-60VDC	
<10%	
<10mA	
200mA	
<0.01mA	
<1.5V	
300HZ	150HZ
0.5ms/0.5ms	1ms/1ms
<15%(Sr)	
<1.0%(Sr)	
IP67	
-25°C - +70°C	
<10%(Sr)	
YES	
220mA	
stainless steel	

P1C1F3010NOES4	31	P1C2F3015NOES4
P1C1F3010NCES4	32	P1C2F3015NCES4
P1C1F3010POES4	33	P1C2F3015POES4
P1C1F3010PCES4	34	P1C2F3015PCES4
P4C1F3010COES4	37	P4C2F3015COES4
P4C1F3010CCES4	38	P4C2F3015CCES4
P3C1F3010NOES4	31	P3C2F3015NOES4
P3C1F3010NCES4	32	P3C2F3015NCES4
P3C1F3010POES4	33	P3C2F3015POES4
P3C1F3010PCES4	34	P3C2F3015PCES4



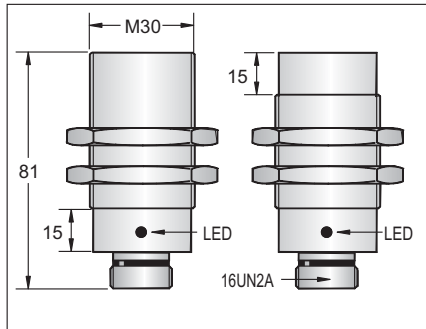
Approx. 155 g	Approx. 145 g
---------------	---------------

M30	
●	○
10 mm	15 mm
Stainless Steel	
●	



10-30VDC / 10-55VDC / 10-60VDC	
<10%	
<10mA	
200mA	
<0.01mA	
<1.5V	
300HZ	150HZ
0.5ms/0.5ms	1ms/1ms
<15%(Sr)	
<1.0%(Sr)	
IP67	
-25°C - +70°C	
<10%(Sr)	
YES	
220mA	
stainless steel	

P1C1F3010NOZA4	43	P1C2F3015NOZA4
P1C1F3010NCZA4	44	P1C2F3015NCZA4
P1C1F3010POZA4	45	P1C2F3015POZA4
P1C1F3010PCZA4	46	P1C2F3015PCZA4
P4C1F3010COZA4	49	P4C2F3015COZA4
P4C1F3010CCZA4	50	P4C2F3015CCZA4
P3C1F3010NOZA4	43	P3C2F3015NOZA4
P3C1F3010NCZA4	44	P3C2F3015NCZA4
P3C1F3010POZA4	45	P3C2F3015POZA4
P3C1F3010PCZA4	46	P3C2F3015PCZA4



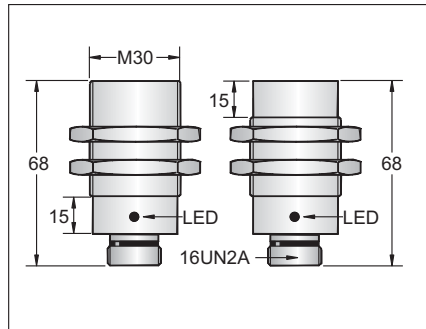
Approx. 210 g	Approx. 200 g
---------------	---------------

M30	
●	○
10 mm	15 mm
Stainless Steel	
●	



10-30VDC / 10-55VDC / 10-60VDC	
<10%	
<10mA	
200mA	
<0.01mA	
<1.5V	
300HZ	150HZ
0.5ms/0.5ms	1ms/1ms
<15%(Sr)	
<1.0%(Sr)	
IP67	
-25°C - +70°C	
<10%(Sr)	
YES	
220mA	
stainless steel	

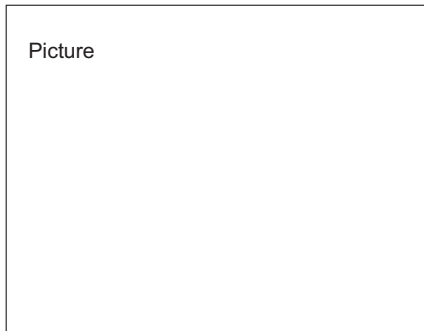
P1C1F3010NOZR4	43	P1C2F3015NOZR4
P1C1F3010NCZR4	44	P1C2F3015NCZR4
P1C1F3010POZR4	45	P1C2F3015POZR4
P1C1F3010PCZR4	46	P1C2F3015PCZR4
P4C1F3010COZR4	49	P4C2F3015COZR4
P4C1F3010CCZR4	50	P4C2F3015CCZR4
P3C1F3010NOZR4	43	P3C2F3015NOZR4
P3C1F3010NCZR4	44	P3C2F3015NCZR4
P3C1F3010POZR4	45	P3C2F3015POZR4
P3C1F3010PCZR4	46	P3C2F3015PCZR4



Approx. 187 g	Approx. 179 g
---------------	---------------

DC METAL FACE INDUCTIVE PROXIMITY SENSORS

Diameter
● Shielded ○ Non-shielded
Switching Distance Sn: mm
Housing Material
● With LED ○ Without LED



Operating Voltage
Ripple
No Load Current
Max. Load Current
Leakage Current
Voltage Drop
Switching Frequency
Response Time
Switching Hysteresis
Repeat Accuracy
Protection Category
Operating Temperature
Temperature Drift
Short Circuit Protection
Overload Trip Point
Material Active Face

DC 3 wire 10-30V NPN N.O.
DC 3 wire 10-30V NPN N.C.
DC 3 wire 10-30V PNP N.O.
DC 3 wire 10-30V PNP N.C.
DC 4 wire 10-30V Changeover PNP (N.O. & N.C.)
DC 4 wire 10-30V Changeover NPN (N.O. & N.C.)
DC 2 wire 10-60V N.O.
DC 2 wire 10-60V N.C.
DC 3 wire 10-55V NPN N.O.
DC 3 wire 10-55V NPN N.C.
DC 3 wire 10-55V PNP N.O.
DC 3 wire 10-55V PNP N.C.
DC 3 wire 5-36V NPN N.O.
DC 3 wire 5-36V NPN N.C.
DC 3 wire 5-36V PNP N.O.
DC 3 wire 5-36V PNP N.C.
DC 4 wire 5-36V Changeover PNP (N.O. & N.C.)
DC 4 wire 5-36V Changeover NPN (N.O. & N.C.)

Dimensions (unit: mm)

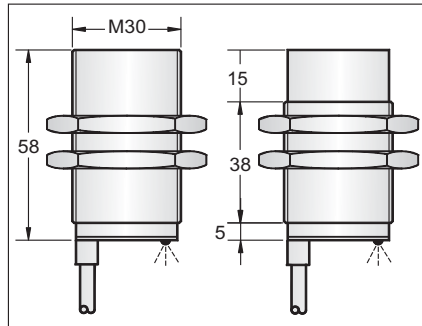
Cable 2M (PVC)
Weight

M30	
●	○
16 mm	25 mm
Stainless Steel	
●	



10-30VDC
<10%
<10mA
200mA
<0.01mA
<2.0V
150HZ
100HZ
1ms/1ms
1ms/1ms
<15%(Sr)
<1.0%(Sr)
IP67
-25°C - +70°C
<10%(Sr)
YES
220mA
Stainless steel

P1C1F3016NO3L2	1	P1C2F3025NO3L2
P1C1F3016NC3L2	2	P1C2F3025NC3L2
P1C1F3016PO3L2	3	P1C2F3025PO3L2
P1C1F3016PC3L2	4	P1C2F3025PC3L2



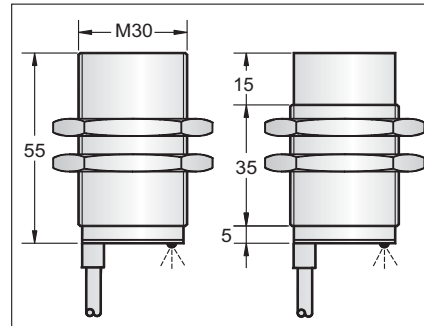
5.8φ 3x0.5
Approx.217 g
Approx.207 g

M30	
●	○
16 mm	25 mm
Stainless Steel	
●	



10-30VDC
<10%
<10mA
200mA
<0.01mA
<2.0V
150HZ
100HZ
1ms/1ms
1ms/1ms
<15%(Sr)
<1.0%(Sr)
IP67
-25°C - +70°C
<10%(Sr)
YES
220mA
Stainless steel

P1C1F3016NO3A2	1	P1C2F3025NO3A2
P1C1F3016NC3A2	2	P1C2F3025NC3A2
P1C1F3016PO3A2	3	P1C2F3025PO3A2
P1C1F3016PC3A2	4	P1C2F3025PC3A2



5.8φ 3x0.5
Approx.210 g
Approx.200 g

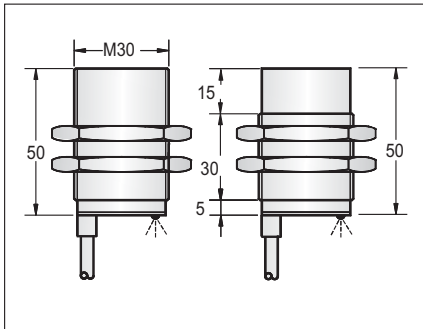
DC METAL FACE INDUCTIVE PROXIMITY SENSORS

M30	
●	○
16 mm	25 mm
stainless steel	
●	



10-30VDC	
<10%	
<10mA	
200mA	
<0.01mA	
<2.0V	
150HZ	100HZ
1ms/1ms	1ms/1ms
<15%(Sr)	
<1.0%(Sr)	
IP67	
-25°C - +70°C	
<10%(Sr)	
YES	
220mA	
Stainless steel	

P1C1F3016NO3R2	1	P1C2F3025NO3R2
P1C1F3016NC3R2	2	P1C2F3025NC3R2
P1C1F3016PO3R2	3	P1C2F3025PO3R2
P1C1F3016PC3R2	4	P1C2F3025PC3R2



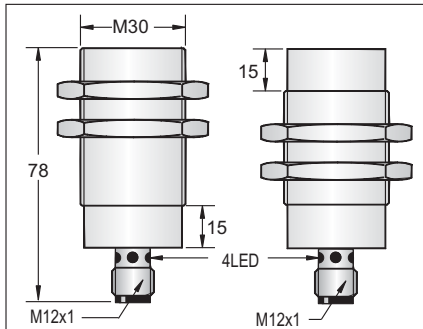
5.8φ 3x0.5	
Approx.195g	Approx.190g

M30	
●	○
16 mm	25 mm
stainless steel	
●	



10-30VDC	
<10%	
<10mA	
200mA	
<0.01mA	
<2.0V	
150HZ	100HZ
1ms/1ms	1ms/1ms
<15%(Sr)	
<1.0%(Sr)	
IP67	
-25°C - +70°C	
<10%(Sr)	
YES	
220mA	
Stainless steel	

P1C1F3016NOEA4	31	P1C2F3025NOEA4
P1C1F3016NCEA4	32	P1C2F3025NCEA4
P1C1F3016POEA4	33	P1C2F3025POEA4
P1C1F3016PCEA4	34	P1C2F3025PCEA4



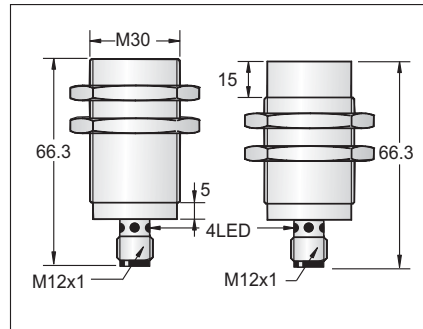
Approx.200 g	Approx.190 g
--------------	--------------

M30	
●	○
16 mm	25 mm
stainless steel	
●	



10-30VDC	
<10%	
<10mA	
200mA	
<0.01mA	
<2.0V	
150HZ	100HZ
1ms/1ms	1ms/1ms
<15%(Sr)	
<1.0%(Sr)	
IP67	
-25°C - +70°C	
<10%(Sr)	
YES	
220mA	
Stainless steel	

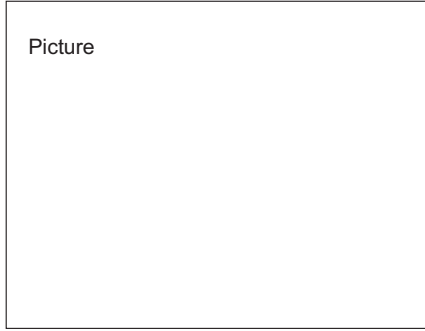
P1C1F3016NOEM4	31	P1C2F3025NOEM4
P1C1F3016NCEM4	32	P1C2F3025NCEM4
P1C1F3016POEM4	33	P1C2F3025POEM4
P1C1F3016PEM4	34	P1C2F3025PEM4



Approx.168 g	Approx.165 g
--------------	--------------

DC METAL FACE INDUCTIVE PROXIMITY SENSORS

Diameter
● Shielded ○ Non-shielded
Switching Distance Sn: mm
Housing Material
● With LED ○ Without LED



Operating Voltage	10-30VDC	
Ripple	<10%	
No Load Current	<10mA	
Max. Load Current	200mA	
Leakage Current	<0.01mA	
Voltage Drop	<2.0V	
Switching Frequency	150HZ	100HZ
Response Time	1ms/1ms	1ms/1ms
Switching Hysteresis	<15%(Sr)	
Repeat Accuracy	<1.0%(Sr)	
Protection Category	IP67	
Operating Temperature	-25°C - +70°C	
Temperature Drift	<10%(Sr)	
Short Circuit Protection	YES	
Overload Trip Point	220mA	
Material Active Face	stainless steel	

DC 3 wire 10-30V NPN N.O.
DC 3 wire 10-30V NPN N.C.
DC 3 wire 10-30V PNP N.O.
DC 3 wire 10-30V PNP N.C.
DC 4 wire 10-30V Changeover PNP (N.O. & N.C.)
DC 4 wire 10-30V Changeover NPN (N.O. & N.C.)
DC 2 wire 10-60V N.O.
DC 2 wire 10-60V N.C.
DC 3 wire 10-55V NPN N.O.
DC 3 wire 10-55V NPN N.C.
DC 3 wire 10-55V PNP N.O.
DC 3 wire 10-55V PNP N.C.
DC 3 wire 5-36V NPN N.O.
DC 3 wire 5-36V NPN N.C.
DC 3 wire 5-36V PNP N.O.
DC 3 wire 5-36V PNP N.C.
DC 4 wire 5-36V Changeover PNP (N.O. & N.C.)
DC 4 wire 5-36V Changeover NPN (N.O. & N.C.)

Dimensions (unit: mm)

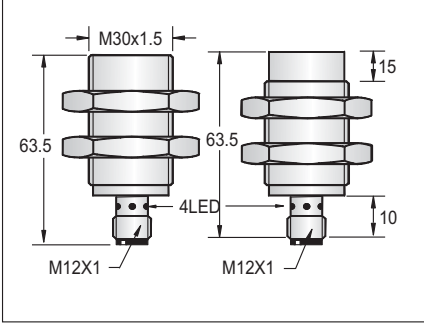
Cable 2M (PVC)
Weight

M30	
●	○
16 mm	25 mm
Stainless steel	
●	



Operating Voltage	10-30VDC	
Ripple	<10%	
No Load Current	<10mA	
Max. Load Current	200mA	
Leakage Current	<0.01mA	
Voltage Drop	<2.0V	
Switching Frequency	150HZ	100HZ
Response Time	1ms/1ms	1ms/1ms
Switching Hysteresis	<15%(Sr)	
Repeat Accuracy	<1.0%(Sr)	
Protection Category	IP67	
Operating Temperature	-25°C - +70°C	
Temperature Drift	<10%(Sr)	
Short Circuit Protection	YES	
Overload Trip Point	220mA	
Material Active Face	stainless steel	

P1C1F3016NOER4	31	P1C2F3025NOER4
P1C1F3016NCER4	32	P1C2F3025NCER4
P1C1F3016POER4	33	P1C2F3025POER4
P1C1F3016PCER4	34	P1C2F3025PCER4



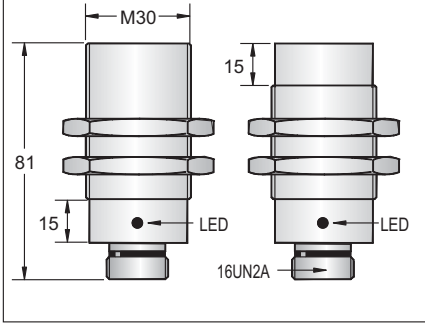
Approx.160 g	Approx.155 g
--------------	--------------

M30	
●	○
16 mm	25 mm
Stainless steel	
●	






Operating Voltage	10-30VDC	
Ripple	<10%	
No Load Current	<10mA	
Max. Load Current	200mA	
Leakage Current	<0.01mA	
Voltage Drop	<2.0V	
Switching Frequency	150HZ	100HZ
Response Time	1ms/1ms	1ms/1ms
Switching Hysteresis	<15%(Sr)	
Repeat Accuracy	<1.0%(Sr)	
Protection Category	IP67	
Operating Temperature	-25°C - +70°C	
Temperature Drift	<10%(Sr)	
Short Circuit Protection	YES	
Overload Trip Point	220mA	
Material Active Face	stainless steel	

P1C1F3016NOZA4	43	P1C2F3025NOZA4
P1C1F3016NCZA4	44	P1C2F3025NCZA4
P1C1F3016POZA4	45	P1C2F3025POZA4
P1C1F3016PCZA4	46	P1C2F3025PCZA4



Approx.210 g	Approx.200 g
--------------	--------------

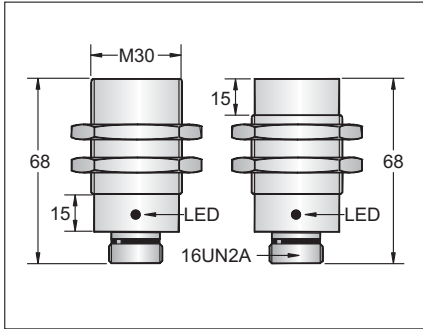
DC METAL FACE INDUCTIVE PROXIMITY SENSORS

M 30	
	
16 mm	25 mm
Stainless steel	
	






10-30VDC	
<10%	
<10mA	
200mA	
<0.01mA	
<2.0V	
150HZ	100HZ
1ms/1ms	1ms/1ms
<15%(Sr)	
<1.0%(Sr)	
IP67	
-25 °C - +70 °C	
<10%(Sr)	
YES	
220mA	
stainless steel	

P1C1F3016NOZR4	43	P1C2F3025NOZR4
P1C1F3016NCZR4	44	P1C2F3025NCZR4
P1C1F3016POZR4	45	P1C2F3025POZR4
P1C1F3016PCZR4	46	P1C2F3025PCZR4



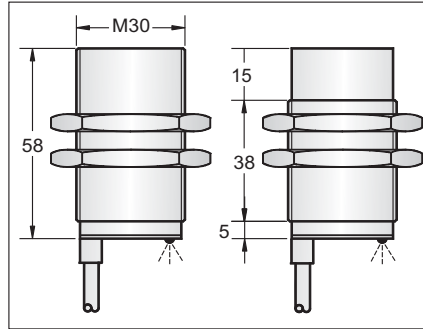
5.8 ϕ 3x0.5	
Approx.187 g	Approx.179 g

M30	
	
22 mm	40 mm
Stainless steel	
	


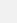



10-30VDC	
<10%	
<10mA	
200mA	
<0.01mA	
<2.0V	
150HZ	100HZ
0.5ms/0.5ms	1ms/1ms
<15%(Sr)	
<1.0%(Sr)	
IP67	
-25 °C - +70 °C	
<10%(Sr)	
YES	
220mA	
Stainless steel	

P1C1F3022NO3L2	1	P1C2F3040NO3L2
P1C1F3022NC3L2	2	P1C2F3040NC3L2
P1C1F3022PO3L2	3	P1C2F3040PO3L2
P1C1F3022PC3L2	4	P1C2F3040PC3L2



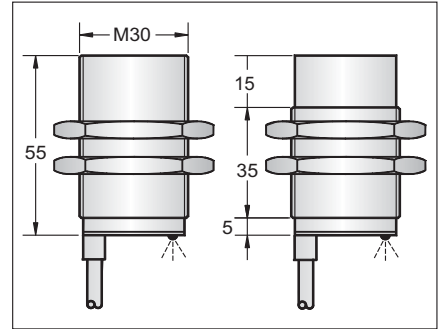
5.8 ϕ 3x0.5	
Approx.217 g	Approx.207 g

M30	
	
22 mm	40 mm
Stainless steel	
	



10-30VDC	
<10%	
<10mA	
200mA	
<0.01mA	
<2.0V	
150HZ	100HZ
0.5ms/0.5ms	1ms/1ms
<15%(Sr)	
<1.0%(Sr)	
IP67	
-25 °C - +70 °C	
<10%(Sr)	
YES	
220mA	
Stainless steel	

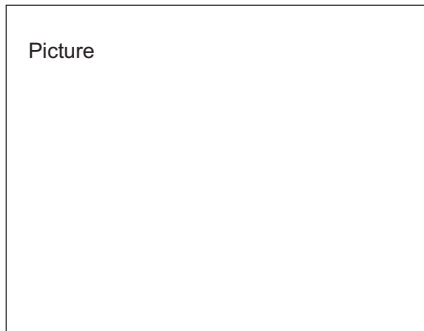
P1C1F3022NO3A2	1	P1C2F3040NO3A2
P1C1F3022NC3A2	2	P1C2F3040NC3A2
P1C1F3022PO3A2	3	P1C2F3040PO3A2
P1C1F3022PC3A2	4	P1C2F3040PC3A2



5.8 ϕ 3x0.5	
Approx.210 g	Approx.200 g

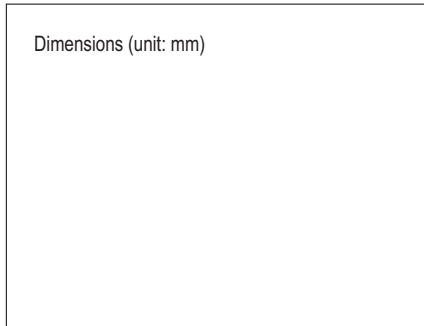
DC METAL FACE INDUCTIVE PROXIMITY SENSORS

Diameter
● Shielded ○ Non-shielded
Switching Distance Sn: mm
Housing Material
● With LED ○ Without LED



Operating Voltage
Ripple
No Load Current
Max. Load Current
Leakage Current
Voltage Drop
Switching Frequency
Response Time
Switching Hysteresis
Repeat Accuracy
Protection Category
Operating Temperature
Temperature Drift
Short Circuit Protection
Overload Trip Point
Material Active Face

DC 3 wire 10-30V NPN N.O.
DC 3 wire 10-30V NPN N.C.
DC 3 wire 10-30V PNP N.O.
DC 3 wire 10-30V PNP N.C.
DC 4 wire 10-30V Changeover PNP (N.O. & N.C.)
DC 4 wire 10-30V Changeover NPN (N.O. & N.C.)
DC 2 wire 10-60V N.O.
DC 2 wire 10-60V N.C.
DC 3 wire 10-55V NPN N.O.
DC 3 wire 10-55V NPN N.C.
DC 3 wire 10-55V PNP N.O.
DC 3 wire 10-55V PNP N.C.
DC 3 wire 5-36V NPN N.O.
DC 3 wire 5-36V NPN N.C.
DC 3 wire 5-36V PNP N.O.
DC 3 wire 5-36V PNP N.C.
DC 4 wire 5-36V Changeover PNP (N.O. & N.C.)
DC 4 wire 5-36V Changeover NPN (N.O. & N.C.)



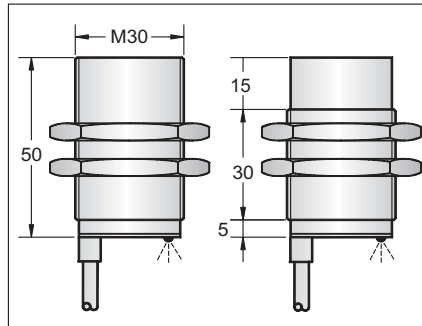
Cable 2M (PVC)
Weight

M30
● ○
22 mm 40 mm
Stainless steel
●



10-30VDC
<10%
<10mA
200mA
<0.01mA
<2.0V
150HZ 100HZ
0.5ms/0.5ms 1ms/1ms
<15%(Sr)
<1.0%(Sr)
IP67
-25 °C - +70 °C
<10%(Sr)
YES
220mA
Stainless steel

P1C1F3022NO3R2	1	P1C2F3040NO3R2
P1C1F3022NC3R2	2	P1C2F3040NC3R2
P1C1F3022PO3R2	3	P1C2F3040PO3R2
P1C1F3022PC3R2	4	P1C2F3040PC3R2



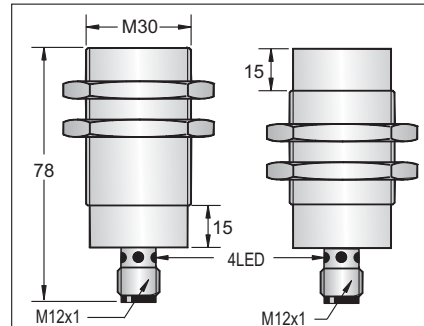
5.8∅3x0.5	
Approx.210 g	Approx.200 g

M30
● ○
22 mm 40 mm
Stainless steel
●



10-30VDC
<10%
<10mA
200mA
<0.01mA
<2.0V
150HZ 100HZ
0.5ms/0.5ms 1ms/1ms
<15%(Sr)
<1.0%(Sr)
IP67
-25 °C - +70 °C
<10%(Sr)
YES
220mA
Stainless steel

P1C1F3022NOEA4	31	P1C2F3040NOEA4
P1C1F3022NCEA4	32	P1C2F3040NCEA4
P1C1F3022POEA4	33	P1C2F3040POEA4
P1C1F3022PCEA4	34	P1C2F3040PCEA4



Approx.200 g	Approx.190 g
--------------	--------------

DC METAL FACE INDUCTIVE PROXIMITY SENSORS

M30	
●	○
22 mm	40 mm
Stainless steel	
●	

M30	
●	○
22 mm	40 mm
Stainless steel	
●	

M30	
●	○
22 mm	40 mm
Stainless steel	
●	



10-30VDC	
<10%	
<10mA	
200mA	
<0.01mA	
<2.0V	
150HZ	100HZ
0.5ms/0.5ms	1ms/1ms
<15%(Sr)	
<1.0%(Sr)	
IP67	
-25 °C - +70°C	
<10%(Sr)	
YES	
220mA	
Stainless steel	

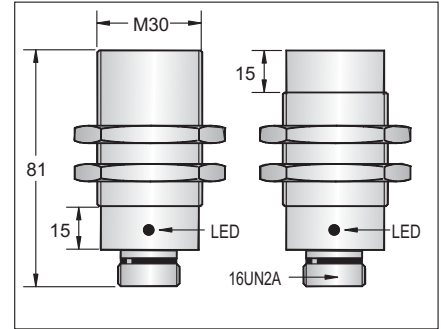
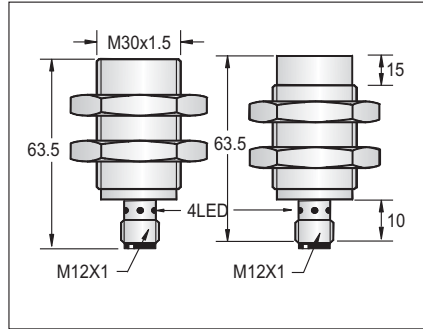
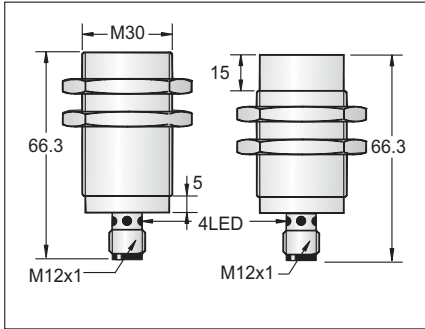
10-30VDC	
<10%	
<10mA	
200mA	
<0.01mA	
<2.0V	
150HZ	100HZ
0.5ms/0.5ms	1ms/1ms
<15%(Sr)	
<1.0%(Sr)	
IP67	
-25 °C - +70°C	
<10%(Sr)	
YES	
220mA	
Stainless steel	

10-30VDC	
<10%	
<10mA	
200mA	
<0.01mA	
<2.0V	
150HZ	100HZ
0.5ms/0.5ms	1ms/1ms
<15%(Sr)	
<1.0%(Sr)	
IP67	
-25 °C - +70°C	
<10%(Sr)	
YES	
220mA	
Stainless steel	

P1C1F3022NOEM4	31	P1C2F3040NOEM4	
P1C1F3022NCEM4	32	P1C2F3040NCEM4	
P1C1F3022POEM4	33	P1C2F3040POEM4	
P1C1F3022PCEM4	34	P1C2F3040PCEM4	

P1C1F3022NOER4	31	P1C2F3040NOER4	
P1C1F3022NCER4	32	P1C2F3040NCER4	
P1C1F3022POER4	33	P1C2F3040POER4	
P1C1F3022PCER4	34	P1C2F3040PCER4	

P1C1F3022NOZA4	43	P1C2F3040NOZA4	
P1C1F3022NCZA4	44	P1C2F3040NCZA4	
P1C1F3022POZA4	45	P1C2F3040POZA4	
P1C1F3022PCZA4	46	P1C2F3040PCZA4	



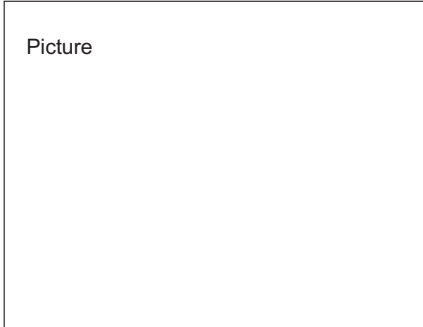
Approx. 168 g	Approx. 165 g
---------------	---------------

Approx. 160 g	Approx. 155 g
---------------	---------------

Approx. 210 g	Approx. 200 g
---------------	---------------

DC METAL FACE INDUCTIVE PROXIMITY SENSORS

Diameter
● Shielded ○ Non-shielded
Switching Distance Sn: mm
Housing Material
● With LED ○ Without LED



Operating Voltage
Ripple
No Load Current
Max. Load Current
Leakage Current
Voltage Drop
Switching Frequency
Response Time
Switching Hysteresis
Repeat Accuracy
Protection Category
Operating Temperature
Temperature Drift
Short Circuit Protection
Overload Trip Point
Material Active Face

DC 3 wire 10-30V NPN N.O.
DC 3 wire 10-30V NPN N.C.
DC 3 wire 10-30V PNP N.O.
DC 3 wire 10-30V PNP N.C.
DC 4 wire 10-30V Changeover PNP (N.O. & N.C.)
DC 4 wire 10-30V Changeover NPN (N.O. & N.C.)
DC 2 wire 10-60V N.O.
DC 2 wire 10-60V N.C.
DC 3 wire 10-55V NPN N.O.
DC 3 wire 10-55V NPN N.C.
DC 3 wire 10-55V PNP N.O.
DC 3 wire 10-55V PNP N.C.
DC 3 wire 5-36V NPN N.O.
DC 3 wire 5-36V NPN N.C.
DC 3 wire 5-36V PNP N.O.
DC 3 wire 5-36V PNP N.C.
DC 4 wire 5-36V Changeover PNP (N.O. & N.C.)
DC 4 wire 5-36V Changeover NPN (N.O. & N.C.)

Dimensions (unit: mm)

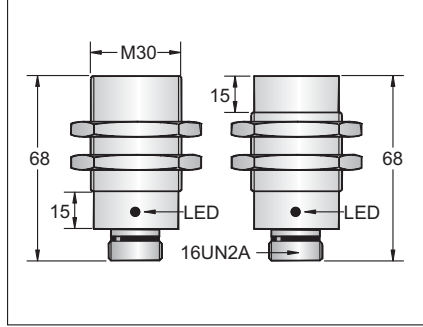
Cable 2M (PVC)
Weight

M30
● ○
22 mm 40mm
Stainless steel
●



10-30VDC
<10%
<10mA
200mA
<0.01mA
<2.0V
150HZ 100HZ
0.5ms/0.5ms 1ms/1ms
<15%(Sr)
<1.0%(Sr)
IP67
-25 °C - +70 °C
<10%(Sr)
YES
220mA
Stainless steel

P1C1F3022NOZR4	43	P1C2F3040NOZR4
P1C1F3022NCZR4	44	P1C2F3040NCZR4
P1C1F3022POZR4	45	P1C2F3040POZR4
P1C1F3022PCZR4	46	P1C2F3040PCZR4



Approx.187 g	Approx.179 g
--------------	--------------

AC METAL FACE INDUCTIVE PROXIMITY SENSORS

Diameter
● Shielded ○ Non-shielded
Switching Distance Sn: mm
Housing Material
● With LED ○ Without LED

M12	
●	○
2 mm	4 mm
Stainless steel	
●	

M12	
●	○
2 mm	4 mm
Stainless steel	
●	

Picture



Operating Voltage
No Load Current
Max. Load Current
Leakage Current
Surge Current
Min. Load Current
Voltage Drop
Switching Frequency
Response Time
Switching Hysteresis
Repeat Accuracy
Protection Category
Operating Temperature
Temperature Drift
Short Circuit Protection
Material Active Face

20-250VAC
<1.8mA
400mA
<1.8mA
5A(20ms)
5mA
<8VAC AT 400mA
<25HZ
10ms/10ms
<15%(Sr)
<1.0%(Sr)
IP67
-25 °C - +70 °C
<10%(Sr)
NO
Stainless steel

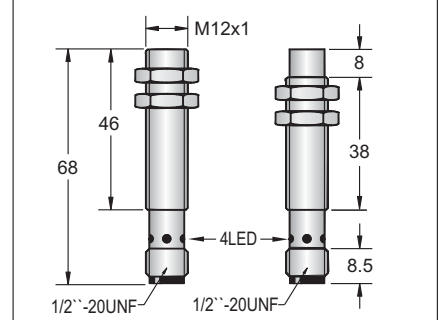
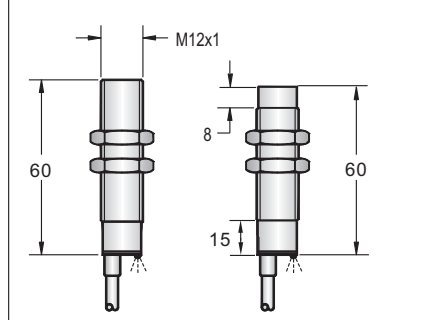
20-250VAC
<1.8mA
400mA
<1.8mA
5A(20ms)
5mA
<8VAC AT 400mA
<25HZ
10ms/10ms
<15%(Sr)
<1.0%(Sr)
IP67
-25 °C - +70 °C
<10%(Sr)
NO
Stainless steel

DC 3 wire 10-30V NPN N.O.
DC 3 wire 10-30V NPN N.C.
DC 3 wire 10-30V PNP N.O.
DC 3 wire 10-30V PNP N.C.
DC 4 wire 10-30V Changeover PNP (N.O. & N.C.)
DC 4 wire 10-30V Changeover NPN (N.O. & N.C.)
DC 2 wire 10-60V N.O.
DC 2 wire 10-60V N.C.
DC 3 wire 10-55V NPN N.O.
DC 3 wire 10-55V NPN N.C.
DC 3 wire 10-55V PNP N.O.
DC 3 wire 10-55V PNP N.C.
AC 2 wire 20-250V N.O.
AC 2 wire 20-250V N.C.
AC 2 wire 20-250V N.O. or N.C. Changeable
AC/DC 2 wire 20-250V N.O.
AC/DC 2 wire 20-250V N.C.
AC/DC 2 wire 20-250V N.O. or N.C. Changeable

P7C1F1202AO3B2	11	P7C2F1204AO3B2
P7C1F1202AC3B2	12	P7C2F1204AC3B2

P7C1F1202AOMB3	51	P7C2F1204AOMB3
P7C1F1202ACMB3	51	P7C2F1204ACMB3

Dimensions (unit: mm)



Cable 2M (PVC)
Weight

4 φ 3x0.34	
Approx.77g	Approx.76g

Approx.31g	Approx.30g
------------	------------

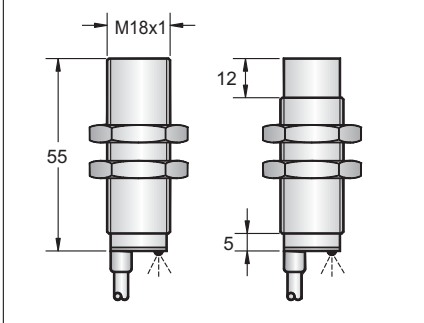
AC METAL FACE INDUCTIVE PROXIMITY SENSORS

M18	
●	○
5 mm	8 mm
Stainless steel	
●	



20-250VAC
<1.8mA
400mA
<1.8mA
5A(20ms)
5mA
<8VAC AT 400MA
<25HZ
10ms/10ms
<15%(Sr)
<1.0%(Sr)
IP67
-25 °C - +70 °C
<10%(Sr)
NO
Stainless steel

P7C1F1805AO3B2	11	P7C2F1808AO3B2
P7C1F1805AC3B2	12	P7C2F1808AC3B2



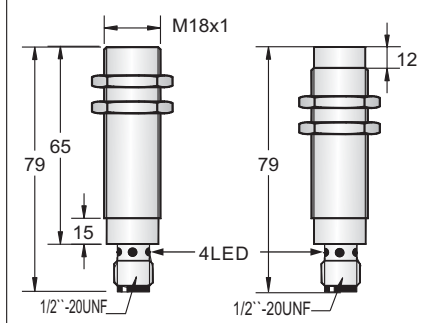
5.8 ϕ 3x0.5	
Approx.161g	Approx.160g

M18	
●	○
5 mm	8 mm
Stainless steel	
●	



20-250VAC
<1.8mA
400mA
<1.8mA
5A(20ms)
5mA
<8VAC AT 400MA
<25HZ
10ms/10ms
<15%(Sr)
<1.0%(Sr)
IP67
-25 °C - +70 °C
<10%(Sr)
NO
Stainless steel

P7C1F1805AOMB3	51	P7C2F1808AOMB3
P7C1F1805ACMB3	51	P7C2F1808ACMB3



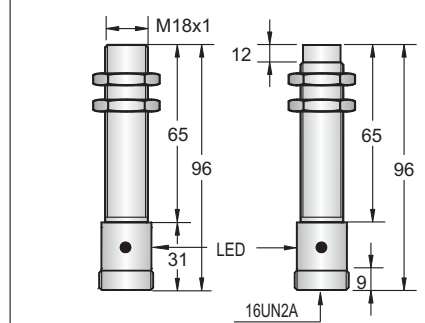
Approx.84 g	
Approx.84 g	Approx.80 g

M18	
●	○
5 mm	8 mm
Stainless steel	
●	



20-250VAC
<1.8mA
400mA
<1.8mA
5A(20ms)
5mA
<8VAC AT 400MA
<25HZ
10ms/10ms
<15%(Sr)
<1.0%(Sr)
IP67
-25 °C - +70 °C
<10%(Sr)
NO
Stainless steel

P7C1F1805AOZB3	55	P7C2F1808AOZB3
P7C1F1805ACZB3	55	P7C2F1808ACZB3



Approx.94g	
Approx.94g	Approx.91g

AC METAL FACE INDUCTIVE PROXIMITY SENSORS

Diameter
● Shielded ○ Non-shielded
Switching Distance Sn: mm
Housing Material
● With LED ○ Without LED

Picture

Operating Voltage
No Load Current
Max. Load Current
Leakage Current
Surge Current
Min. Load Current
Voltage Drop
Switching Frequency
Response Time
Switching Hysteresis
Repeat Accuracy
Protection Category
Operating Temperature
Temperature Drift
Short Circuit Protection
Material Active Face

DC 3 wire 10-30V NPN N.O.
DC 3 wire 10-30V NPN N.C.
DC 3 wire 10-30V PNP N.O.
DC 3 wire 10-30V PNP N.C.
DC 4 wire 10-30V Changeover PNP (N.O. & N.C.)
DC 4 wire 10-30V Changeover NPN (N.O. & N.C.)
DC 2 wire 10-60V N.O.
DC 2 wire 10-60V N.C.
DC 3 wire 10-55V NPN N.O.
DC 3 wire 10-55V NPN N.C.
DC 3 wire 10-55V PNP N.O.
DC 3 wire 10-55V PNP N.C.
AC 2 wire 20-250V N.O.
AC 2 wire 20-250V N.C.
AC 2 wire 20-250V N.O. or N.C. Changeable
AC/DC 2 wire 20-250V N.O.
AC/DC 2 wire 20-250V N.C.
AC/DC 2 wire 20-250V N.O. or N.C. Changeable

Dimensions (unit: mm)

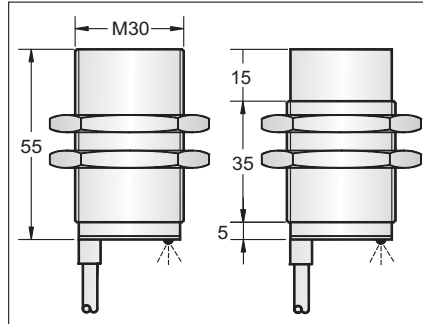
Cable 2M (PVC)
Weight

M30	
●	○
10 mm	15mm
Stainless steel	
●	



20-250VAC
<1.8mA
400mA
<1.8mA
5A(20ms)
5mA
<8VAC at 400MA
<25HZ
10ms/10ms
<15%(Sr)
<1.0%(Sr)
IP67
-25 °C - +70 °C
<10%(Sr)
NO
Stainless steel

P7C1F3010AO3B2	11	P7C2F3015AO3B2
P7C1F3010AC3B2	12	P7C2F3015AC3B2



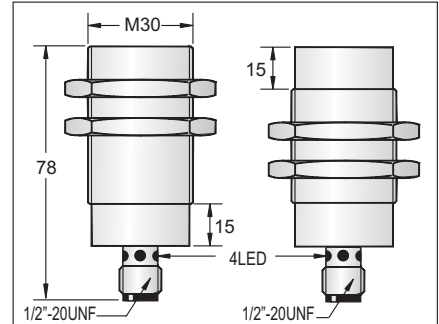
5.8 φ3x0.5	
Approx.217g	Approx.207g

M30	
●	○
10 mm	15 mm
Stainless steel	
●	



20-250VAC
<1.8mA
400mA
<1.8mA
5A(20ms)
5mA
<8VAC at 400MA
<25HZ
10ms/10ms
<15%(Sr)
<1.0%(Sr)
IP67
-25 °C - +70 °C
<10%(Sr)
NO
Stainless steel

P7C1F3010AOMB3	51	P7C2F3015AOMB3
P7C1F3010ACMB3	51	P7C2F3015ACMB3



Approx.200g	Approx.190g
-------------	-------------

AC/DC METAL FACE INDUCTIVE PROXIMITY SENSORS

Diameter
● Shielded ○ Non-shielded
Switching Distance Sn: mm
Housing Material
● With LED ○ Without LED

M12	
● 2 mm	○ 4 mm
Stainless steel	
●	

M12	
● 2 mm	○ 4 mm
Stainless steel	
●	

Picture



CE



CE

Operating Voltage
No Load Current
Max. Load Current
Leakage Current
Surge Current
Min. Load Current
Voltage Drop
Switching Frequency
Response Time
Switching Hysteresis
Repeat Accuracy
Protection Category
Operating Temperature
Temperature Drift
Short Circuit Protection
Material Active Face

20-250 VAC, 50-60 Hz; 20-250 VDC
<2.5mA
100mA
<2.5mA
2.2A for 20ms
5mA
<=10 VAC :<=8 VDC
25HZ AC; 40 Hz DC
10ms/10ms
<15%(Sr)
<1.0% (Sr)
IP67
-25°C-+70°C
<10% (Sr)
NO
Stainless steel

20-250 VAC, 50-60 Hz; 20-250 VDC
<2.5mA
100mA
<2.5mA
2.2A for 20ms
5mA
<=10 VAC :<=8 VDC
25HZ AC; 40 Hz DC
10ms/10ms
<15%(Sr)
<1.0% (Sr)
IP67
-25°C-+70°C
<10% (Sr)
NO
Stainless steel

DC 3 wire 10-30V NPN N.O.
DC 3 wire 10-30V NPN N.C.
DC 3 wire 10-30V PNP N.O.
DC 3 wire 10-30V PNP N.C.
DC 4 wire 10-30V Changeover PNP (N.O. & N.C.)
DC 4 wire 10-30V Changeover NPN (N.O. & N.C.)
DC 2 wire 10-60V N.O.
DC 2 wire 10-60V N.C.
DC 3 wire 10-55V NPN N.O.
DC 3 wire 10-55V NPN N.C.
DC 3 wire 10-55V PNP N.O.
DC 3 wire 10-55V PNP N.C.
AC 2 wire 20-250V N.O.
AC 2 wire 20-250V N.C.
AC 2 wire 20-250V N.O. or N.C. Changeable
AC/DC 2 wire 20-250V N.O.
AC/DC 2 wire 20-250V N.C.
AC/DC 2 wire 20-250V N.O. or N.C. Changeable

P8C1F1202UO3B2	15	P8C2F1204UO3B2	
P8C1F1202UC3B2	16	P8C2F1204UC3B2	

P8C1F1202UOMB3	53	P8C2F1204UOMB3	
P8C1F1202UCMB3	53	P8C2F1204UCMB3	

Dimensions (unit: mm)
Cable 2M (PVC)
Weight

4 φ 3x0.34	
Approx.77g	Approx.76g

Approx.31g	
Approx.30 g	

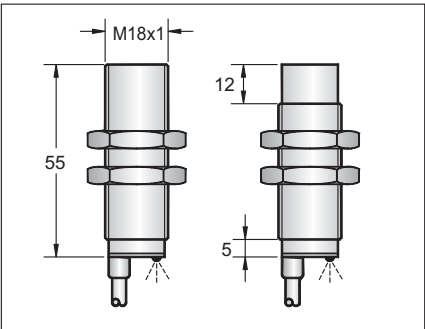
AC/DC METAL FACE INDUCTIVE PROXIMITY SENSORS

M18	
●	○
5 mm	8 mm
Stainless steel	
●	



20-250 VAC, 50-60 Hz; 20-250 VDC
<2.5mA
200mA
<2.5mA
2.2A for 20ms
5mA
<=10 VAC :<=8 VDC
25HZ AC; 40 Hz DC
10ms/10ms
<15%(Sr)
<1.0% (Sr)
IP67
-25°C- +70°C
<10% (Sr)
NO
Stainless steel

P8C1F1805UO3A2	15	P8C2F1808UO3A2
P8C1F1805UC3A2	16	P8C2F1808UC3A2



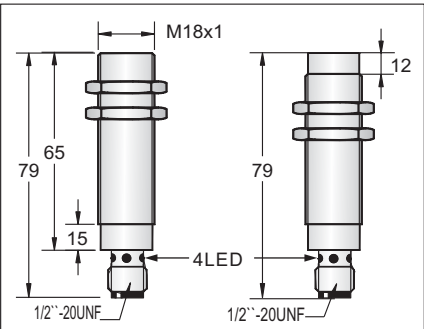
5.8φ3x0.5	
Approx.161g	Approx.160g

M18	
●	○
5 mm	8 mm
Stainless steel	
●	



20-250 VAC, 50-60 Hz; 20-250 VDC
<2.5mA
200mA
<2.5mA
2.2A for 20ms
5mA
<=10 VAC :<=8 VDC
25HZ AC; 40 Hz DC
10ms/10ms
<15%(Sr)
<1.0% (Sr)
IP67
-25°C- +70°C
<10% (Sr)
NO
Stainless steel

P8C1F1805UOMA3	53	P8C2F1808UOMA3
P8C1F1805UCMA3	53	P8C2F1808UCMA3



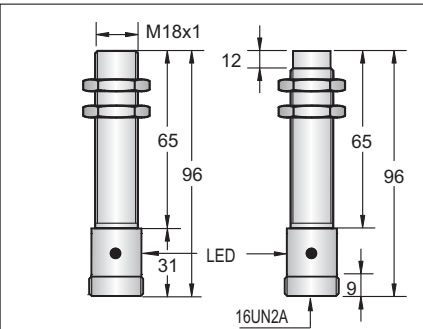
Approx.84g	Approx.80g
------------	------------

M18	
●	○
5 mm	8 mm
Stainless steel	
●	



20-250 VAC, 50-60 Hz; 20-250 VDC
<2.5mA
200mA
<2.5mA
2.2A for 20ms
5mA
<=10 VAC :<=8 VDC
25HZ AC; 40 Hz DC
10ms/10ms
<15%(Sr)
<1.0% (Sr)
IP67
-25°C- +70°C
<10% (Sr)
NO
Stainless steel

P8C1F1805UOZA3	57	P8C2F1808UOZA3
P8C1F1805UCZA3	57	P8C2F1808UCZA3



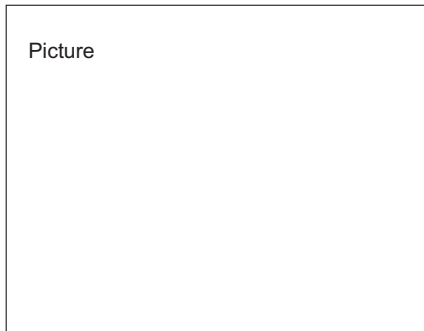
Approx.94g	Approx.91g
------------	------------

AC/DC METAL FACE INDUCTIVE PROXIMITY SENSOR

Diameter	M30		M30	
	●	○	●	○
	10 mm	15mm	10 mm	15 mm
● Shielded ○ non-Shielded	Stainless steel		Stainless steel	
Switching Distance Sn: mm				
Housing Material				
● With LED ○ Without LED	●		●	
Picture				
Operating Voltage	20-250 VAC, 50-60 Hz; 20-250 VDC		20-250 VAC, 50-60 Hz; 20-250 VDC	
No Load Current	<2.5mA		<2.5mA	
Max. Load Current	200mA		200mA	
Leakage Current	<2.5mA		<2.5mA	
Surge Current	2.2A for 20ms		2.2A for 20ms	
Min. Load Current	5mA		5mA	
Voltage Drop	<=10 VAC :<=8 VDC		<=10 VAC :<=8 VDC	
Switching Frequency	25HZ AC; 40 Hz DC		25HZ AC; 40 Hz DC	
Response Time	10ms/10ms		10ms/10ms	
Switching Hysteresis	<15%(Sr)		<15%(Sr)	
Repeat Accuracy	<1.0% (Sr)		<1.0% (Sr)	
Protection Category	IP67		IP67	
Operating Temperature	-25°C~+70°C		-25°C~+70°C	
Temperature Drift	<10% (Sr)		<10% (Sr)	
Short Circuit Protection	NO		NO	
Material Active Face	Stainless steel		Stainless steel	
DC 3 wire 10-30V NPN N.O.				
DC 3 wire 10-30V NPN N.C.				
DC 3 wire 10-30V PNP N.O.				
DC 3 wire 10-30V PNP N.C.				
DC 4 wire 10-30V Changeover PNP (N.O. & N.C.)				
DC 4 wire 10-30V Changeover NPN (N.O. & N.C.)				
DC 2 wire 10-60V N.O.				
DC 2 wire 10-60V N.C.				
DC 3 wire 10-55V NPN N.O.				
DC 3 wire 10-55V NPN N.C.				
DC 3 wire 10-55V PNP N.O.				
DC 3 wire 10-55V PNP N.C.				
AC 2 wire 20-250V N.O.				
AC 2 wire 20-250V N.C.				
AC 2 wire 20-250V N.O. or N.C. Changeable				
AC/DC 2 wire 20-250V N.O.				
AC/DC 2 wire 20-250V N.C.				
AC/DC 2 wire 20-250V N.O. or N.C. Changeable				
	P8C1F3010U03A2	15	P8C2F3015U03A2	
	P8C1F3010UC3A2	16	P8C2F3015UC3A2	
			P8C1F3010UOMA3	53
			P8C1F3010UCMA3	53
			P8C2F3015UOMA3	
			P8C2F3015UCMA3	
Dimensions (unit: mm)				
Cable 2M (PVC)	5.8 ϕ 3x0.5			
Weight	Approx.217g		Approx.207g	
			Approx.200g	
			Approx.190g	

DC METAL FACE INDUCTIVE PROXIMITY SENSOR FERROUS ONLY SENSING

Diameter
● Shielded ○ Non-shielded
Switching Distance Sn: mm
Housing Material
● With LED ○ Without LED



Operating Voltage	10-30VDC
Ripple	<10%
No Load Current	<10mA
Max. Load Current	200mA
Leakage Current	<0.01mA
Voltage Drop	<1.5V
Switching Frequency	2KHZ 1KHZ
Response Time	0.1ms/0.1ms 0.2ms/0.2ms
Switching Hysteresis	<15%(Sr)
Repeat Accuracy	<1.0%(Sr)
Protection Category	IP67
Operating Temperature	-25 °C - + 70 °C
Temperature Drift	<10%(Sr)
Short Circuit Protection	YES
Overload Trip Point	220mA
Material Active Face	Stainless steel

DC 3 wire 10-30V NPN N.O.	P1C1F1202N03A2/F	1	P1C2F1204N03A2/F
DC 3 wire 10-30V NPN N.C.	P1C1F1202NC3A2/F	2	P1C2F1204NC3A2/F
DC 3 wire 10-30V PNP N.O.	P1C1F1202P03A2/F	3	P1C2F1204P03A2/F
DC 3 wire 10-30V PNP N.C.	P1C1F1202PC3A2/F	4	P1C2F1204PC3A2/F
DC 4 wire 10-30V Changeover PNP (N.O. & N.C.)			
DC 4 wire 10-30V Changeover NPN (N.O. & N.C.)			
DC 2 wire 10-60V N.O.			
DC 2 wire 10-60V N.C.			
DC 3 wire 10-55V NPN N.O.			
DC 3 wire 10-55V NPN N.C.			
DC 3 wire 10-55V PNP N.O.			
DC 3 wire 10-55V PNP N.C.			
DC 3 wire 5-36V NPN N.O.			
DC 3 wire 5-36V NPN N.C.			
DC 3 wire 5-36V PNP N.O.			
DC 3 wire 5-36V PNP N.C.			
DC 4 wire 5-36V Changeover PNP (N.O & N.C.)			
DC 4 wire 5-36V Changeover NPN (N.O & N.C.)			

Dimensions (unit: mm)

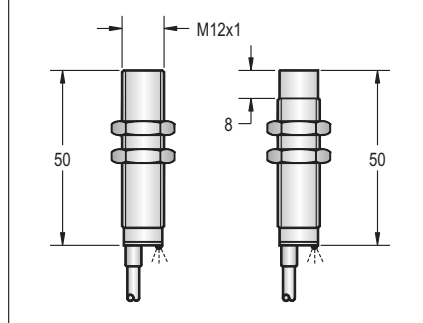
Cable 2M (PVC)	4 φ 3x0.34
Weight	Approx.67g

M12	
●	○
2 mm	4 mm
Stainless steel	
●	



Operating Voltage	10-30VDC
Ripple	<10%
No Load Current	<10mA
Max. Load Current	200mA
Leakage Current	<0.01mA
Voltage Drop	<1.5V
Switching Frequency	2KHZ 1KHZ
Response Time	0.1ms/0.1ms 0.2ms/0.2ms
Switching Hysteresis	<15%(Sr)
Repeat Accuracy	<1.0%(Sr)
Protection Category	IP67
Operating Temperature	-25 °C - + 70 °C
Temperature Drift	<10%(Sr)
Short Circuit Protection	YES
Overload Trip Point	220mA
Material Active Face	Stainless steel

DC 3 wire 10-30V NPN N.O.	P1C1F1202N03A2/F	1	P1C2F1204N03A2/F
DC 3 wire 10-30V NPN N.C.	P1C1F1202NC3A2/F	2	P1C2F1204NC3A2/F
DC 3 wire 10-30V PNP N.O.	P1C1F1202P03A2/F	3	P1C2F1204P03A2/F
DC 3 wire 10-30V PNP N.C.	P1C1F1202PC3A2/F	4	P1C2F1204PC3A2/F
DC 4 wire 10-30V Changeover PNP (N.O. & N.C.)			
DC 4 wire 10-30V Changeover NPN (N.O. & N.C.)			
DC 2 wire 10-60V N.O.			
DC 2 wire 10-60V N.C.			
DC 3 wire 10-55V NPN N.O.			
DC 3 wire 10-55V NPN N.C.			
DC 3 wire 10-55V PNP N.O.			
DC 3 wire 10-55V PNP N.C.			
DC 3 wire 5-36V NPN N.O.			
DC 3 wire 5-36V NPN N.C.			
DC 3 wire 5-36V PNP N.O.			
DC 3 wire 5-36V PNP N.C.			
DC 4 wire 5-36V Changeover PNP (N.O & N.C.)			
DC 4 wire 5-36V Changeover NPN (N.O & N.C.)			



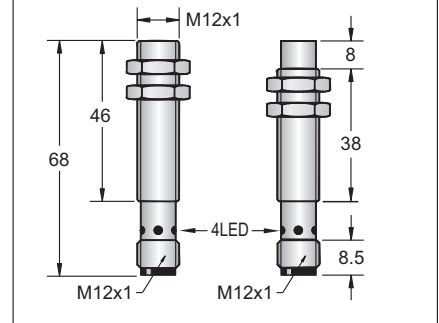
Cable 2M (PVC)	4 φ 3x0.34
Weight	Approx.67g

M12	
●	○
2 mm	4 mm
Stainless steel	
●	



Operating Voltage	10-30VDC
Ripple	<10%
No Load Current	<10mA
Max. Load Current	200mA
Leakage Current	<0.01mA
Voltage Drop	<1.5V
Switching Frequency	2KHZ 1KHZ
Response Time	0.1ms/0.1ms 0.2ms/0.2ms
Switching Hysteresis	<15%(Sr)
Repeat Accuracy	<1.0%(Sr)
Protection Category	IP67
Operating Temperature	-25 °C - + 70 °C
Temperature Drift	<10%(Sr)
Short Circuit Protection	YES
Overload Trip Point	220mA
Material Active Face	Stainless steel

DC 3 wire 10-30V NPN N.O.	P1C1F1202N0EA4/F	31	P1C2F1204N0EA4/F
DC 3 wire 10-30V NPN N.C.	P1C1F1202NCEA4/F	32	P1C2F1204NCEA4/F
DC 3 wire 10-30V PNP N.O.	P1C1F1202POEA4/F	33	P1C2F1204POEA4/F
DC 3 wire 10-30V PNP N.C.	P1C1F1202PCEA4/F	34	P1C2F1204PCEA4/F
DC 4 wire 10-30V Changeover PNP (N.O. & N.C.)			
DC 4 wire 10-30V Changeover NPN (N.O. & N.C.)			
DC 2 wire 10-60V N.O.			
DC 2 wire 10-60V N.C.			
DC 3 wire 10-55V NPN N.O.			
DC 3 wire 10-55V NPN N.C.			
DC 3 wire 10-55V PNP N.O.			
DC 3 wire 10-55V PNP N.C.			
DC 3 wire 5-36V NPN N.O.			
DC 3 wire 5-36V NPN N.C.			
DC 3 wire 5-36V PNP N.O.			
DC 3 wire 5-36V PNP N.C.			
DC 4 wire 5-36V Changeover PNP (N.O & N.C.)			
DC 4 wire 5-36V Changeover NPN (N.O & N.C.)			



Cable 2M (PVC)	4 φ 3x0.34
Weight	Approx.31g

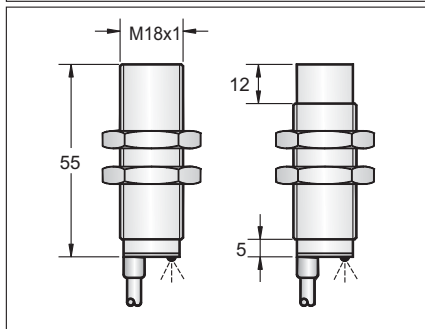
DC METAL FACE INDUCTIVE PROXIMITY SENSOR FERROUS ONLY SENSING

M18	
●	○
5 mm	8 mm
Stainless steel	
●	



10-30VDC	
<10%	
<10mA	
200mA	
<0.01mA	
<1.5V	
1KHZ	500HZ
0.2ms/0.2ms	0.5ms/0.5ms
<15%(Sr)	
<1.0%(Sr)	
IP67	
-25°C - +70°C	
<10%(Sr)	
YES	
220mA	
Stainless steel	

P1C1F1805NO3A2/F	1	P1C2F1808NO3A2/F
P1C1F1805NC3A2/F	2	P1C2F1808NC3A2/F
P1C1F1805PO3A2/F	3	P1C2F1808PO3A2/F
P1C1F1805PC3A2/F	4	P1C2F1808PC3A2/F



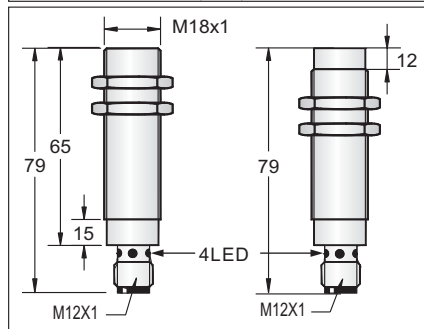
4 ∅ 3x0.34	
Approx.161 g	Approx.160 g

M18	
●	○
5 mm	8 mm
Stainless steel	
●	



10-30VDC	
<10%	
<10mA	
200mA	
<0.01mA	
<1.5V	
1KHZ	500HZ
0.2ms/0.2ms	0.5ms/0.5ms
<15%(Sr)	
<1.0%(Sr)	
IP67	
-25°C - +70°C	
<10%(Sr)	
YES	
220mA	
Stainless steel	

P1C1F1805NOEA4/F	31	P1C2F1808NOEA4/F
P1C1F1805NCEA4/F	32	P1C2F1808NCEA4/F
P1C1F1805POEA4/F	33	P1C2F1808POEA4/F
P1C1F1805PCEA4/F	34	P1C2F1808PCEA4/F



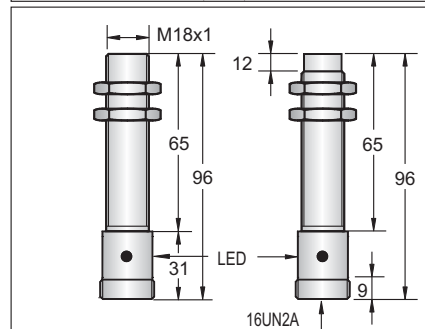
Approx.84 g	Approx.80 g
-------------	-------------

M18	
●	○
5 mm	8 mm
Stainless steel	
●	





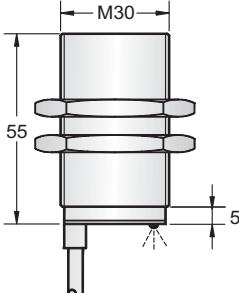
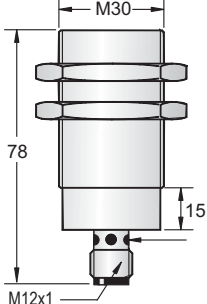
10-30VDC	
<10%	
<10mA	
200mA	
<0.01mA	
<1.5V	
1KHZ	500HZ
0.2ms/0.2ms	0.5ms/0.5ms
<15%(Sr)	
<1.0%(Sr)	
IP67	
-25°C - +70°C	
<10%(Sr)	
YES	
220mA	
Stainless steel	

P1C1F1805NOZA4/F	43	P1C2F1808NOZA4/F
P1C1F1805NCZA4/F	44	P1C2F1808NCZA4/F
P1C1F1805POZA4/F	45	P1C2F1808POZA4/F
P1C1F1805PCZA4/F	46	P1C2F1808PCZA4/F



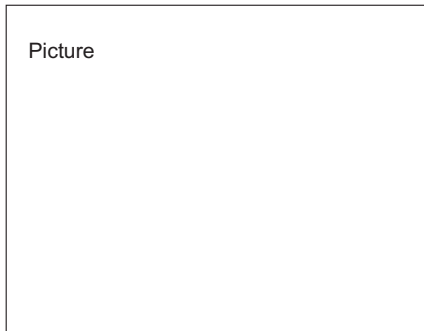
Approx.94g	Approx.91g
------------	------------

DC METAL FACE INDUCTIVE PROXIMITY SENSOR FERROUS ONLY SENSING

Diameter	M30	M30
● Shielded ○ Non-shielded	●	●
Switching Distance Sn: mm	10 mm	10 mm
Housing Material	Stainless steel	Stainless steel
● With LED ○ Without LED	●	●
Picture	 <div style="text-align: right;">CE</div>	 <div style="text-align: right;">CE</div>
Operating Voltage	10-30VDC	10-30VDC
Ripple	<10%	<10%
No Load Current	<10mA	<10mA
Max. Load Current	200mA	200mA
Leakage Current	<0.01mA	<0.01mA
Voltage Drop	<1.5V	<1.5V
Switching Frequency	300HZ	300HZ
Response Time	0.5ms/0.5ms	0.5ms/0.5ms
Switching Hysteresis	<15%(Sr)	<15%(Sr)
Repeat Accuracy	<1.0%(Sr)	<1.0%(Sr)
Protection Category	IP67	IP67
Operating Temperature	-25°C - +70°C	-25°C - +70°C
Temperature Drift	<10%(Sr)	<10%(Sr)
Short Circuit Protection	YES	YES
Overload Trip Point	220mA	220mA
Material Active Face	Stainless steel	Stainless steel
DC 3 wire 10-30V NPN N.O.	P1C1F3010N03A2/F	31
DC 3 wire 10-30V NPN N.C.	P1C1F3010NC3A2/F	32
DC 3 wire 10-30V PNP N.O.	P1C1F3010P03A2/F	33
DC 3 wire 10-30V PNP N.C.	P1C1F3010PC3A2/F	34
DC 4 wire 10-30V Changeover PNP (N.O. & N.C.)		
DC 4 wire 10-30V Changeover NPN (N.O. & N.C.)		
DC 2 wire 10-60V N.O.		
DC 2 wire 10-60V N.C.		
DC 3 wire 10-55V NPN N.O.		
DC 3 wire 10-55V NPN N.C.		
DC 3 wire 10-55V PNP N.O.		
DC 3 wire 10-55V PNP N.C.		
DC 3 wire 5-36V NPN N.O.		
DC 3 wire 5-36V NPN N.C.		
DC 3 wire 5-36V PNP N.O.		
DC 3 wire 5-36V PNP N.C.		
DC 4 wire 5-36V Changeover PNP (N.O. & N.C.)		
DC 4 wire 5-36V Changeover NPN (N.O. & N.C.)		
Dimensions (unit: mm)		
Cable 2M (PVC)	5.8 ϕ 3x0.5	
Weight	Approx.210 g	Approx.200 g

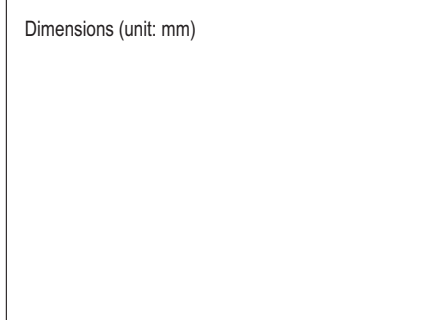
DC METAL FACE INDUCTIVE PROXIMITY SENSOR NON-FERROUS ONLY SENSING

Diameter
● Shielded ○ Non-shielded
Switching Distance Sn: mm
Housing Material
● With LED ○ Without LED



Operating Voltage	10-30VDC
Ripple	<10%
No Load Current	<10mA
Max. Load Current	200mA
Leakage Current	<0.01mA
Voltage Drop	<1.5V
Switching Frequency	2KHZ 1KHZ
Response Time	0.1ms/0.1ms 0.2ms/0.2ms
Switching Hysteresis	<15%(Sr)
Repeat Accuracy	<1.0%(Sr)
Protection Category	IP67
Operating Temperature	-25°C - +70 °C
Temperature Drift	<10%(Sr)
Short Circuit Protection	YES
Overload Trip Point	220mA
Material Active Face	Stainless steel

DC 3 wire 10-30V NPN N.O.	P1C1F1202NO3A2/N	1	P1C2F1204NO3A2/N
DC 3 wire 10-30V NPN N.C.	P1C1F1202NC3A2/N	2	P1C2F1204NC3A2/N
DC 3 wire 10-30V PNP N.O.	P1C1F1202PO3A2/N	3	P1C2F1204PO3A2/N
DC 3 wire 10-30V PNP N.C.	P1C1F1202PC3A2/N	4	P1C2F1204PC3A2/N
DC 4 wire 10-30V Changeover PNP (N.O. & N.C.)			
DC 4 wire 10-30V Changeover NPN (N.O. & N.C.)			
DC 2 wire 10-60V N.O.			
DC 2 wire 10-60V N.C.			
DC 3 wire 10-55V NPN N.O.			
DC 3 wire 10-55V NPN N.C.			
DC 3 wire 10-55V PNP N.O.			
DC 3 wire 10-55V PNP N.C.			
DC 3 wire 5-36V NPN N.O.			
DC 3 wire 5-36V NPN N.C.			
DC 3 wire 5-36V PNP N.O.			
DC 3 wire 5-36V PNP N.C.			
DC 4 wire 5-36V Changeover PNP (N.O & N.C.)			
DC 4 wire 5-36V Changeover NPN (N.O & N.C.)			



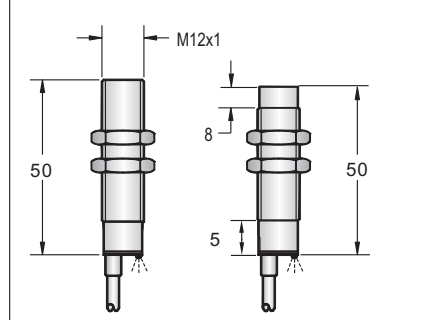
Cable 2M (PVC)	4 φ 3x0.34
Weight	Approx.67g

M12	
●	○
2 mm	4 mm
Stainless steel	
●	



Operating Voltage	10-30VDC
Ripple	<10%
No Load Current	<10mA
Max. Load Current	200mA
Leakage Current	<0.01mA
Voltage Drop	<1.5V
Switching Frequency	2KHZ 1KHZ
Response Time	0.1ms/0.1ms 0.2ms/0.2ms
Switching Hysteresis	<15%(Sr)
Repeat Accuracy	<1.0%(Sr)
Protection Category	IP67
Operating Temperature	-25°C - +70 °C
Temperature Drift	<10%(Sr)
Short Circuit Protection	YES
Overload Trip Point	220mA
Material Active Face	Stainless steel

DC 3 wire 10-30V NPN N.O.	P1C1F1202NO3A2/N	1	P1C2F1204NO3A2/N
DC 3 wire 10-30V NPN N.C.	P1C1F1202NC3A2/N	2	P1C2F1204NC3A2/N
DC 3 wire 10-30V PNP N.O.	P1C1F1202PO3A2/N	3	P1C2F1204PO3A2/N
DC 3 wire 10-30V PNP N.C.	P1C1F1202PC3A2/N	4	P1C2F1204PC3A2/N
DC 4 wire 10-30V Changeover PNP (N.O. & N.C.)			
DC 4 wire 10-30V Changeover NPN (N.O. & N.C.)			
DC 2 wire 10-60V N.O.			
DC 2 wire 10-60V N.C.			
DC 3 wire 10-55V NPN N.O.			
DC 3 wire 10-55V NPN N.C.			
DC 3 wire 10-55V PNP N.O.			
DC 3 wire 10-55V PNP N.C.			
DC 3 wire 5-36V NPN N.O.			
DC 3 wire 5-36V NPN N.C.			
DC 3 wire 5-36V PNP N.O.			
DC 3 wire 5-36V PNP N.C.			
DC 4 wire 5-36V Changeover PNP (N.O & N.C.)			
DC 4 wire 5-36V Changeover NPN (N.O & N.C.)			



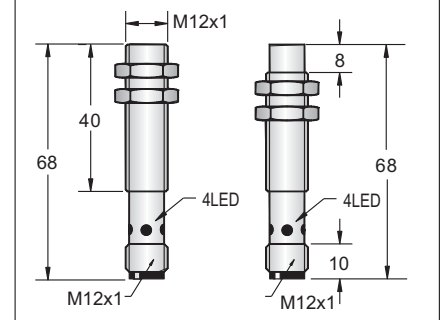
Cable 2M (PVC)	4 φ 3x0.34
Weight	Approx.67g

M12	
●	○
2 mm	4 mm
Stainless steel	
●	



Operating Voltage	10-30VDC
Ripple	<10%
No Load Current	<10mA
Max. Load Current	200mA
Leakage Current	<0.01mA
Voltage Drop	<1.5V
Switching Frequency	2KHZ 1KHZ
Response Time	0.1ms/0.1ms 0.2ms/0.2ms
Switching Hysteresis	<15%(Sr)
Repeat Accuracy	<1.0%(Sr)
Protection Category	IP67
Operating Temperature	-25°C - +70 °C
Temperature Drift	<10%(Sr)
Short Circuit Protection	YES
Overload Trip Point	220mA
Material Active Face	Stainless steel

DC 3 wire 10-30V NPN N.O.	P1C1F1202NOEA4/N	31	P1C2F1204NOEA4/N
DC 3 wire 10-30V NPN N.C.	P1C1F1202NCEA4/N	32	P1C2F1204NCEA4/N
DC 3 wire 10-30V PNP N.O.	P1C1F1202POEA4/N	33	P1C2F1204POEA4/N
DC 3 wire 10-30V PNP N.C.	P1C1F1202PCEA4/N	34	P1C2F1204PCEA4/N
DC 4 wire 10-30V Changeover PNP (N.O. & N.C.)			
DC 4 wire 10-30V Changeover NPN (N.O. & N.C.)			
DC 2 wire 10-60V N.O.			
DC 2 wire 10-60V N.C.			
DC 3 wire 10-55V NPN N.O.			
DC 3 wire 10-55V NPN N.C.			
DC 3 wire 10-55V PNP N.O.			
DC 3 wire 10-55V PNP N.C.			
DC 3 wire 5-36V NPN N.O.			
DC 3 wire 5-36V NPN N.C.			
DC 3 wire 5-36V PNP N.O.			
DC 3 wire 5-36V PNP N.C.			
DC 4 wire 5-36V Changeover PNP (N.O & N.C.)			
DC 4 wire 5-36V Changeover NPN (N.O & N.C.)			



Cable 2M (PVC)	4 φ 3x0.34
Weight	Approx.30g

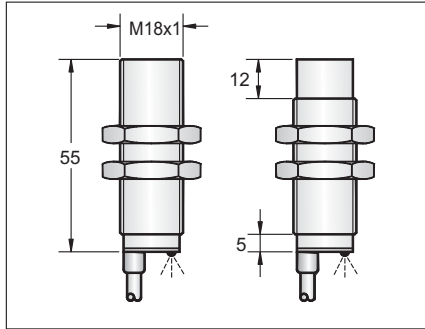
DC METAL FACE INDUCTIVE PROXIMITY SENSOR NON-FERROUS ONLY SENSING

M18	
●	○
5 mm	8 mm
Stainless steel	
●	



10-30VDC	
<10%	
<10mA	
200mA	
<0.01mA	
<1.5V	
1KHZ	500HZ
0.2ms/0.2ms	0.5ms/0.5ms
<15%(Sr)	
<1.0%(Sr)	
IP67	
-25°C - +70°C	
<10%(Sr)	
YES	
220mA	
Stainless steel	

P1C1F1805NO3A2/N	1	P1C2F1808NO3A2/N
P1C1F1805NC3A2/N	2	P1C2F1808NC3A2/N
P1C1F1805PO3A2/N	3	P1C2F1808PO3A2/N
P1C1F1805PC3A2/N	4	P1C2F1808PC3A2/N



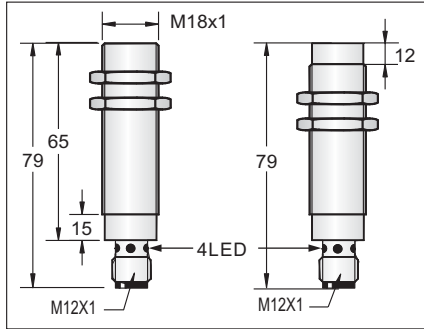
5.8φ3x0.5	
Approx.161g	Approx.160g

M18	
●	○
5 mm	8 mm
Stainless steel	
●	



10-30VDC	
<10%	
<10mA	
200mA	
<0.01mA	
<1.5V	
1KHZ	500HZ
0.2ms/0.2ms	0.5ms/0.5ms
<15%(Sr)	
<1.0%(Sr)	
IP67	
-25°C - +70°C	
<10%(Sr)	
YES	
220mA	
Stainless steel	

P1C1F1805NOEA4/N	31	P1C2F1808NOEA4/N
P1C1F1805NCEA4/N	32	P1C2F1808NCEA4/N
P1C1F1805POEA4/N	33	P1C2F1808POEA4/N
P1C1F1805PCEA4/N	34	P1C2F1808PCEA4/N



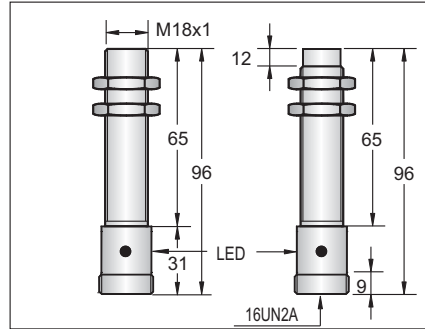
Approx.84g	Approx.80g
------------	------------

M18	
●	○
5 mm	8 mm
Stainless steel	
●	



10-30VDC	
<10%	
<10mA	
200mA	
<0.01mA	
<1.5V	
1KHZ	500HZ
0.2ms/0.2ms	0.5ms/0.5ms
<15%(Sr)	
<1.0%(Sr)	
IP67	
-25°C - +70°C	
<10%(Sr)	
YES	
220mA	
Stainless steel	

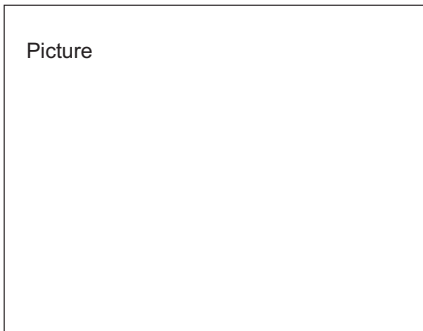
P1C1F1805NOZA4/N	43	P1C2F1808NOZA4/N
P1C1F1805NCZA4/N	44	P1C2F1808NCZA4/N
P1C1F1805POZA4/N	45	P1C2F1808POZA4/N
P1C1F1805PCZA4/N	46	P1C2F1808PCZA4/N



Approx.94g	Approx.91g
------------	------------

DC METAL FACE INDUCTIVE PROXIMITY SENSOR NON-FERROUS ONLY SENSING

Diameter
<input checked="" type="radio"/> Shielded <input type="radio"/> Non-shielded
Switching Distance Sn: mm
Housing Material
<input checked="" type="radio"/> With LED <input type="radio"/> Without LED



Operating Voltage
Ripple
No Load Current
Max. Load Current
Leakage Current
Voltage Drop
Switching Frequency
Response Time
Switching Hysteresis
Repeat Accuracy
Protection Category
Operating Temperature
Temperature Drift
Short Circuit Protection
Overload Trip Point
Material Active Face

DC 3 wire 10-30V NPN N.O.
DC 3 wire 10-30V NPN N.C.
DC 3 wire 10-30V PNP N.O.
DC 3 wire 10-30V PNP N.C.
DC 4 wire 10-30V Changeover PNP (N.O. & N.C.)
DC 4 wire 10-30V Changeover NPN (N.O. & N.C.)
DC 2 wire 10-60V N.O.
DC 2 wire 10-60V N.C.
DC 3 wire 10-55V NPN N.O.
DC 3 wire 10-55V NPN N.C.
DC 3 wire 10-55V PNP N.O.
DC 3 wire 10-55V PNP N.C.
DC 3 wire 5-36V NPN N.O.
DC 3 wire 5-36V NPN N.C.
DC 3 wire 5-36V PNP N.O.
DC 3 wire 5-36V PNP N.C.
DC 4 wire 5-36V Changeover PNP (N.O & N.C.)
DC 4 wire 5-36V Changeover NPN (N.O & N.C.)

Dimensions (unit: mm)

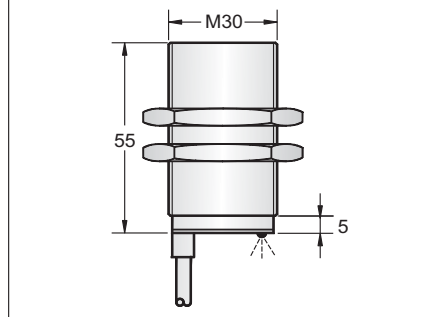
Cable 2M (PVC)
Weight

M30
●
10 mm
Stainless steel
●



Operating Voltage
Ripple
No Load Current
Max. Load Current
Leakage Current
Voltage Drop
Switching Frequency
Response Time
Switching Hysteresis
Repeat Accuracy
Protection Category
Operating Temperature
Temperature Drift
Short Circuit Protection
Overload Trip Point
Material Active Face

P1C1F3010NO3A2/N	1
P1C1F3010NC3A2/N	2
P1C1F3010PO3A2/N	3
P1C1F3010PC3A2/N	4



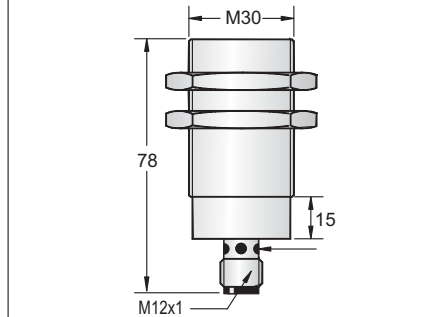
5.8 ϕ 3x0.5
Approx.210g

M30
●
10 mm
Stainless steel
●



Operating Voltage
Ripple
No Load Current
Max. Load Current
Leakage Current
Voltage Drop
Switching Frequency
Response Time
Switching Hysteresis
Repeat Accuracy
Protection Category
Operating Temperature
Temperature Drift
Short Circuit Protection
Overload Trip Point
Material Active Face

P1C1F3010NOEA4/N	31
P1C1F3010NCEA4/N	32
P1C1F3010POEA4/N	33
P1C1F3010PCEA4/N	34



Approx.200g

DC METAL FACE INDUCTIVE PROXIMITY SENSOR NON-FERROUS ONLY SENSING

M 30



10 mm

Stainless steel



CE

10-30VDC

<10%

<10mA

200mA

<0.01mA

<1.5V

300HZ

0.5ms/0.5ms

<15%(Sr)

<1.0%(Sr)

IP67

-25°C - +70°C

<10%(Sr)

YES

220mA

Stainless steel

P1C1F3010NOZA4/N

43

P1C1F3010NCZA4/N

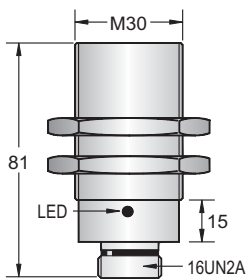
44

P1C1F3010POZA4/N

45

P1C1F3010PCZA4/N

46



Approx. 210g