

AC CAPACITIVE PROXIMITY SENSORS

Diameter

- Shielded ○ Non-shielded
- Switching Distance Sn: mm
- Housing Material
- With LED ○ Without LED

Picture

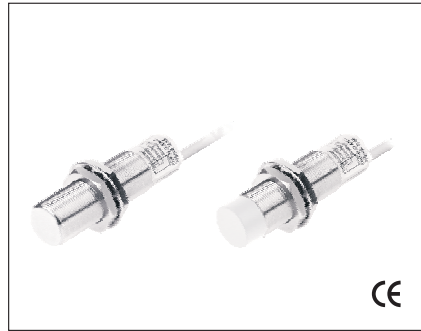
Operating Voltage	20-250VAC
Ripple	-
No Load Current	<2.5mA
Max. Load Current	300mA
Leakage Current	<2.5mA
Surge Current	5A
Min. Load Current	5mA
Voltage Drop	<9VAC AT 300MA
Switching Frequency	25HZ
Response Time	10ms/10ms
Switching Hysteresis	<15%(Sr)
Repeat Accuracy	<5%(Sr)
Protection Category	IP67
Operating Temperature	-25°C- +70°C
Temperature Drift	<10%(Sr)
Material Active Face	PBT
DC 3 wire 10-30V NPN N.O.	
DC 3 wire 10-30V NPN N.C.	
DC 3 wire 10-30V PNP N.O.	
DC 3 wire 10-30V PNP N.C.	
DC 4 wire 10-30V Changeover PNP (N.O. & N.C.)	
DC 4 wire 10-30V Changeover NPN (N.O. & N.C.)	
DC 2 wire 10-60V N.O.	
DC 2 wire 10-60V N.C.	
DC 3 wire 10-55V NPN N.O.	
DC 3 wire 10-55V NPN N.C.	
DC 3 wire 10-55V PNP N.O.	
DC 3 wire 10-55V PNP N.C.	
AC 2 wire 20-250V N.O.	
AC 2 wire 20-250V N.C.	
AC 2 wire 20-250V N.O. or N.C. Changeable	
AC/DC 2 wire 20-250V N.O.	
AC/DC 2 wire 20-250V N.C.	
AC/DC 2 wire 20-250V N.O. or N.C. Changeable	

Dimensions (unit: mm)

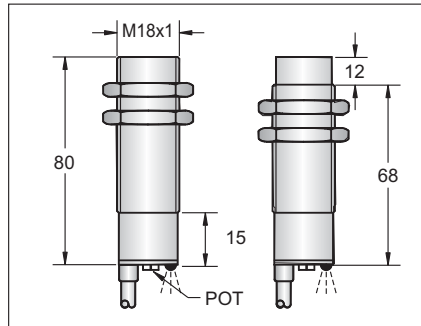
Cable 2M (PVC)
Weight

M18

- ○
- 2-8 mm adjustable 2-15 mm adjustable
- Nickel plated brass
-



Operating Voltage	20-250VAC
Ripple	-
No Load Current	<2.5mA
Max. Load Current	300mA
Leakage Current	<2.5mA
Surge Current	5A
Min. Load Current	5mA
Voltage Drop	<9VAC AT 300MA
Switching Frequency	25HZ
Response Time	10ms/10ms
Switching Hysteresis	<15%(Sr)
Repeat Accuracy	<5%(Sr)
Protection Category	IP67
Operating Temperature	-25°C- +70°C
Temperature Drift	<10%(Sr)
Material Active Face	PBT
DC 3 wire 10-30V NPN N.O.	
DC 3 wire 10-30V NPN N.C.	
DC 3 wire 10-30V PNP N.O.	
DC 3 wire 10-30V PNP N.C.	
DC 4 wire 10-30V Changeover PNP (N.O. & N.C.)	
DC 4 wire 10-30V Changeover NPN (N.O. & N.C.)	
DC 2 wire 10-60V N.O.	
DC 2 wire 10-60V N.C.	
DC 3 wire 10-55V NPN N.O.	
DC 3 wire 10-55V NPN N.C.	
DC 3 wire 10-55V PNP N.O.	
DC 3 wire 10-55V PNP N.C.	
AC 2 wire 20-250V N.O.	
AC 2 wire 20-250V N.C.	
AC 2 wire 20-250V N.O. or N.C. Changeable	
AC/DC 2 wire 20-250V N.O.	
AC/DC 2 wire 20-250V N.C.	
AC/DC 2 wire 20-250V N.O. or N.C. Changeable	



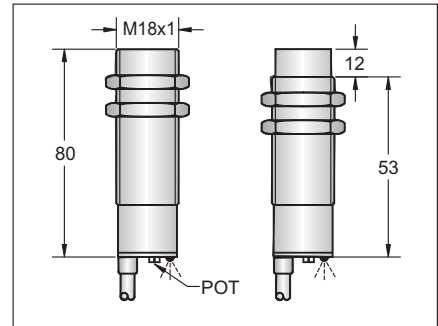
4 φ3x0.34
Approx.196g Approx.191g

M18

- ○
- 2-8 mm adjustable 2-15 mm adjustable
- PBT RESIN
-



Operating Voltage	20-250VAC
Ripple	-
No Load Current	<2.5mA
Max. Load Current	300mA
Leakage Current	<2.5mA
Surge Current	5A
Min. Load Current	5mA
Voltage Drop	<9VAC AT 300MA
Switching Frequency	25HZ
Response Time	10ms/10ms
Switching Hysteresis	<15%(Sr)
Repeat Accuracy	<5%(Sr)
Protection Category	IP67
Operating Temperature	-25°C- +70°C
Temperature Drift	<10%(Sr)
Material Active Face	PBT
DC 3 wire 10-30V NPN N.O.	
DC 3 wire 10-30V NPN N.C.	
DC 3 wire 10-30V PNP N.O.	
DC 3 wire 10-30V PNP N.C.	
DC 4 wire 10-30V Changeover PNP (N.O. & N.C.)	
DC 4 wire 10-30V Changeover NPN (N.O. & N.C.)	
DC 2 wire 10-60V N.O.	
DC 2 wire 10-60V N.C.	
DC 3 wire 10-55V NPN N.O.	
DC 3 wire 10-55V NPN N.C.	
DC 3 wire 10-55V PNP N.O.	
DC 3 wire 10-55V PNP N.C.	
AC 2 wire 20-250V N.O.	
AC 2 wire 20-250V N.C.	
AC 2 wire 20-250V N.O. or N.C. Changeable	
AC/DC 2 wire 20-250V N.O.	
AC/DC 2 wire 20-250V N.C.	
AC/DC 2 wire 20-250V N.O. or N.C. Changeable	



4 φ2x0.34
Approx.185g Approx.180g

AC CAPACITIVE PROXIMITY SENSORS

M18

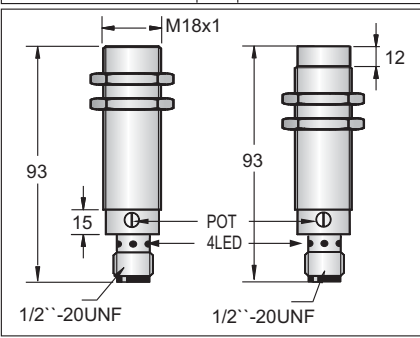
●	○
2-8 mm adjustable	2-15 mm adjustable
Nickel plated brass	



20-250VAC

-
<2.5mA
300mA
<2.5mA
5A
5mA
<9VAC AT 300MA
25HZ
10ms/10ms
<15%(Sr)
<5%(Sr)
IP67
-25°C- +70°C
<10%(Sr)
PBT

C7C1B1808AOMB3	51	C7C2B1815AOMB3
C7C1B1808ACMB3	51	C7C2B1815ACMB3



Approx.92g	Approx.90g
------------	------------

M18

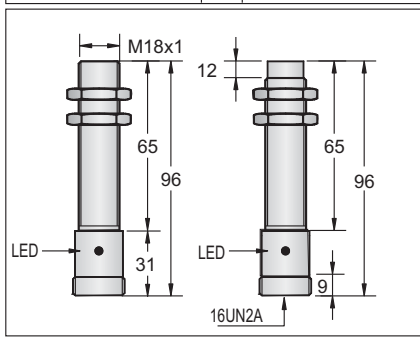
●	○
2-8 mm adjustable	2-15 mm adjustable
Nickel plated brass	



20-250VAC

-
<2.5mA
300mA
<2.5mA
5A
5mA
<9VAC AT 300MA
25HZ
10ms/10ms
<15%(Sr)
<5%(Sr)
IP67
-25°C- +70°C
<10%(Sr)
PBT

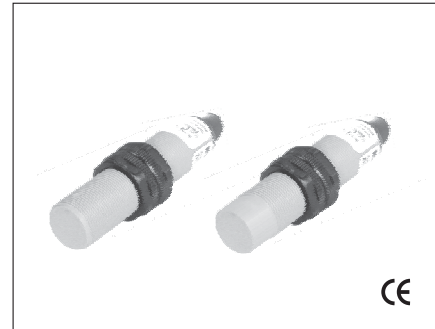
C7C1B1808AOZB3	55	C7C2B1815AOZB3
C7C1B1808ACZB3	55	C7C2B1815ACZB3



Approx.94 g	Approx.91 g
-------------	-------------

M18

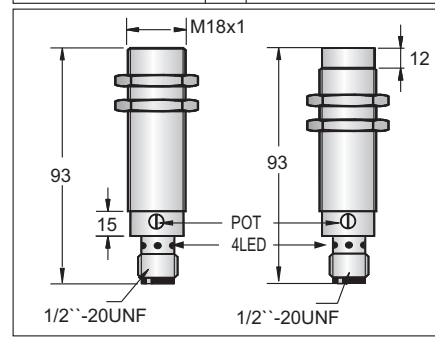
●	○
2-8 mm adjustable	2-15 mm adjustable
PBT RESIN	



20-250VAC

-
<2.5mA
300mA
<2.5mA
5A
5mA
<9VAC AT 300MA
25HZ
10ms/10ms
<15%(Sr)
<5%(Sr)
IP67
-25°C- +70°C
<10%(Sr)
PBT

C7C1P1808AOMB3	52	C7C2P1815AOMB3
C7C1P1808ACMB3	52	C7C2P1815ACMB3



Approx.79g	Approx.80g
------------	------------

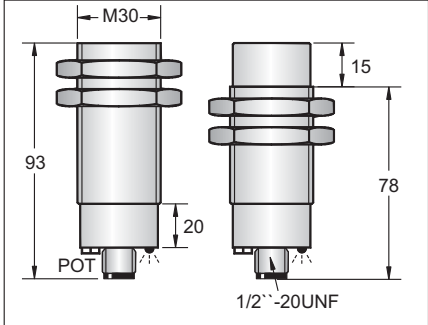
AC CAPACITIVE PROXIMITY SENSORS

M30	
●	○
2-20 mm adjustable	2-30 mm adjustable
Nickel plated brass	
●	



20-250VAC
-
<2.5mA
300mA
<2.5mA
5A
5mA
<9VAC AT 300MA
25HZ
10ms/10ms
<15%(Sr)
<5%(Sr)
IP67
-25°C- +70°C
<10%(Sr)
PBT

C7C1B3020AOMB3	51	C7C2B3030AOMB3
C7C1B3020ACMB3	51	C7C2B3030ACMB3



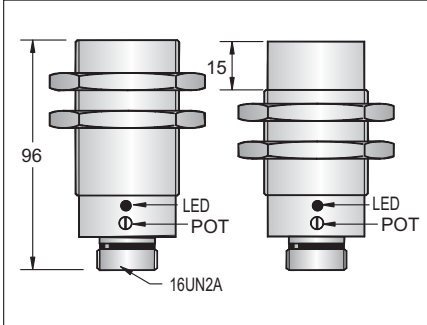
Approx. 147g	Approx. 137g
--------------	--------------

M30	
●	○
2-20 mm adjustable	2-30 mm adjustable
Nickel plated brass	
●	



20-250VAC
-
<2.5mA
300mA
<2.5mA
5A
5mA
<9VAC AT 300MA
25HZ
10ms/10ms
<15%(Sr)
<5%(Sr)
IP67
-25°C- +70°C
<10%(Sr)
PBT

C7C1B3020AOZB3	55	C7C2B3030AOZB3
C7C1B3020ACZB3	55	C7C2B3030ACZB3



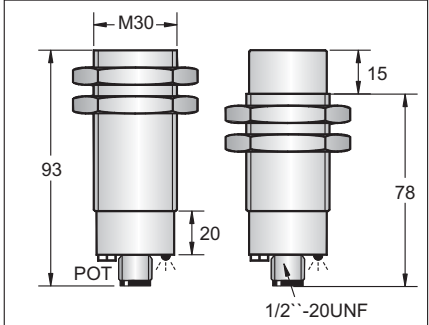
Approx. 187g	Approx. 179g
--------------	--------------

M30	
●	○
2-20 mm adjustable	2-30 mm adjustable
PBT RESIN	
●	



20-250VAC
-
<2.5mA
300mA
<2.5mA
5A
5mA
<9VAC AT 300MA
25HZ
10ms/10ms
<15%(Sr)
<5%(Sr)
IP67
-25°C- +70°C
<10%(Sr)
PBT

C7C1P3020AOMB3	52	C7C2P3030AOMB3
C7C1P3020ACMB3	52	C7C2P3030ACMB3



Approx. 120g	Approx. 118g
--------------	--------------

AC CAPACITIVE PROXIMITY SENSORS

Diameter

● Shielded ○ Non-shielded
 Switching Distance Sn: mm
 Housing Material
 ● With LED ○ Without LED

Picture

Operating Voltage
 Ripple
 No Load Current
 Max. Load Current
 Leakage Current
 Surge Current
 Min. Load Current
 Voltage Drop
 Switching Frequency
 Response Time
 Switching Hysteresis
 Repeat Accuracy
 Protection Category
 Operating Temperature
 Temperature Drift
 Material Active Face

DC 3 wire 10-30V NPN N.O.
 DC 3 wire 10-30V NPN N.C.
 DC 3 wire 10-30V PNP N.O.
 DC 3 wire 10-30V PNP N.C.
 DC 4 wire 10-30V Changeover PNP (N.O. & N.C.)
 DC 4 wire 10-30V Changeover NPN (N.O. & N.C.)
 DC 2 wire 10-60V N.O.
 DC 2 wire 10-60V N.C.
 DC 3 wire 10-55V NPN N.O.
 DC 3 wire 10-55V NPN N.C.
 DC 3 wire 10-55V PNP N.O.
 DC 3 wire 10-55V PNP N.C.
 AC 2 wire 20-250V N.O.
 AC 2 wire 20-250V N.C.
 AC 2 wire 20-250V N.O. or N.C. Changeable
 AC/DC 2 wire 20-250V N.O.
 AC/DC 2 wire 20-250V N.C.
 AC/DC 2 wire 20-250V N.O. or N.C. Changeable

Dimensions (unit: mm)

Cable 2M (PVC)
 Weight

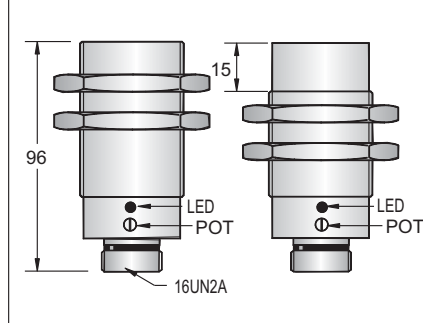
M30

● ○
 2-20 mm adjustable 2-30 mm adjustable
 PBT RESIN



20-250VAC
 -
 <2.5mA
 300mA
 <2.5mA
 5A
 5mA
 <9VAC AT 300MA
 25HZ
 10ms/10ms
 <15%(Sr)
 <5%(Sr)
 IP67
 -25°C- +70°C
 <10%(Sr)
 PBT

C7C1P3020AOZB2	56	C7C2P3030AOZB2
C7C1P3020ACZB2	56	C7C2P3030ACZB2



Approx.167g Approx.159g

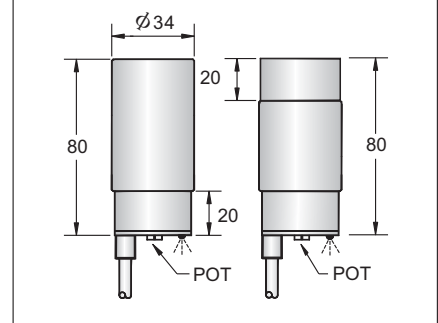
φ34

● ○
 2-25 mm adjustable 2-35 mm adjustable
 PBT RESIN



20-250VAC
 -
 <2.5mA
 300mA
 <2.5mA
 5A
 5mA
 <9VAC AT 300MA
 25HZ
 10ms/10ms
 <15%(Sr)
 <5%(Sr)
 IP67
 -25°C- +70°C
 <10%(Sr)
 PBT

C7D1P3425AO2B2	9	C7D2P3435AO2B2
C7D1P3425AC2B2	10	C7D2P3435AC2B2



5.8φ2x0.5
 Approx.248g Approx.251g

AC CAPACITIVE PROXIMITY SENSORS

∅34



2-25 mm adjustable

2-35 mm adjustable

PBT RESIN



20-250VAC

-

<2.5mA

300mA

<2.5mA

5A

5mA

<9VAC AT 300MA

25HZ

10ms/10ms

<15%(Sr)

<5%(Sr)

IP67

-25°C- +70°C

<10%(Sr)

PBT

∅34



2-25 mm adjustable

2-35 mm adjustable

PBT RESIN



20-250VAC

-

<2.5mA

300mA

<2.5mA

5A

5mA

<9VAC AT 300MA

25HZ

10ms/10ms

<15%(Sr)

<5%(Sr)

IP67

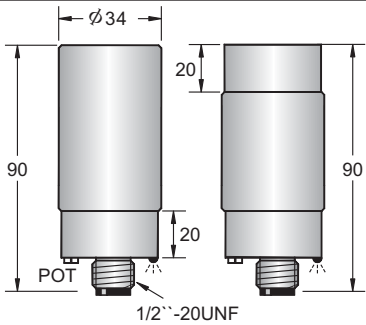
-25°C- +70°C

<10%(Sr)

PBT

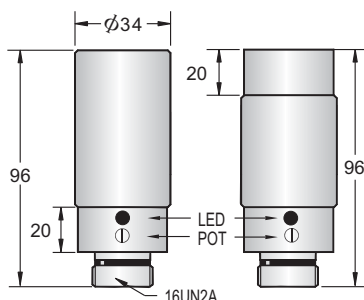
C7D1P3425AOMB3 52 C7D2P3435AOMB3
 C7D1P3425ACMB3 52 C7D2P3435ACMB3

C7D1P3425AOZB2 56 C7D2P3435AOZB2
 C7D1P3425ACZB2 56 C7D2P3435ACZB2



Approx.152g

Approx.150g



Approx.162g

Approx.160g