

MAIN FEATURES

Series of miniaturized encoders with high resolution for integration on small size AC/DC motors, stepper motors or for limited size applications.

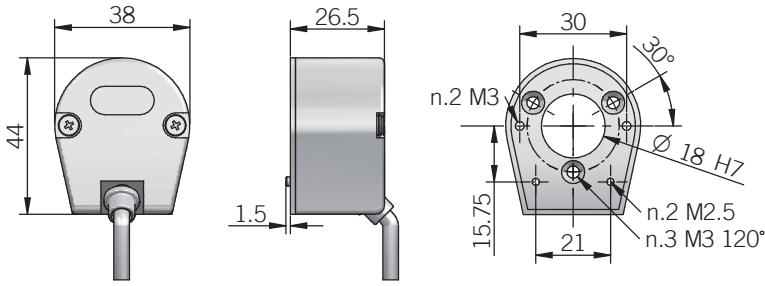
- 3 channel encoder (A / B / Z) up to 5000 ppr
- Power supply up to +30 V DC with several electrical interfaces available
- Up to 500 kHz output frequency
- No wear due to absence of bearings
- Easy assembly
- Compact size



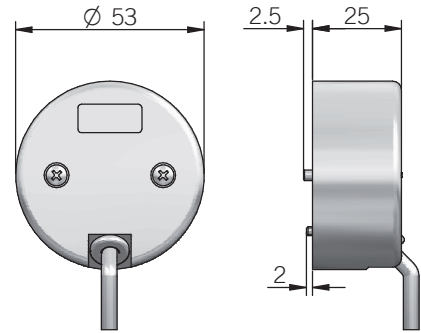
ORDERING CODE	EH 30MH 2000 S 5/30 P 6 X X PR .XXX
----------------------	--

	SERIES incremental encoder series EH										
	TYPE high resolution kit encoder with flange 17MH high resolution kit encoder 30MH										
	RESOLUTION ppr 2000 / 2048 / 2500 / 4096 / 5000										
	ZERO PULSE without zero pulse S with zero pulse Z										
	POWER SUPPLY 5 ...30 V DC 5/30										
	ELECTRICAL INTERFACE push-pull P line driver L power supply 5/30V - output RS-422 RS										
	BORE DIAMETER mm 6 (1/4") mm 6,35										
	ENCLOSURE RATING (mod. 17MH) IP40 - (mod. 30MH) IP 54 X										
	OPTION to be reported X										
	OUTPUT TYPE radial cable (standard length 0,5 m) PR preferred cable lengths 1,5 / 2 / 3 / 5 / 10 m, to be added after OUTPUT TYPE (eg. PR5)										
	VARIANT custom version XXX										

17 MH

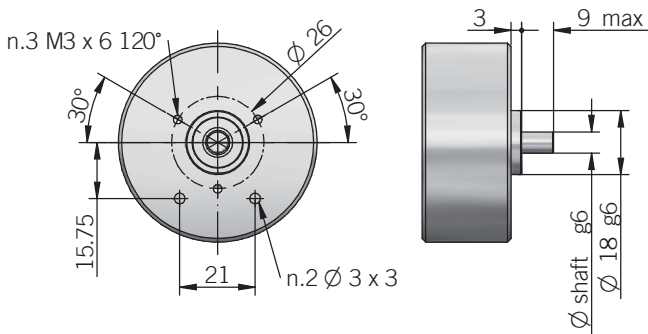


30 MH

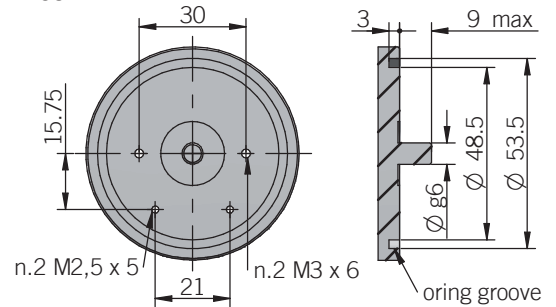


RECOMMENDED INTERFACE FLANGE DESIGN

17 MH



30 MH



dimensions in mm

ELECTRICAL SPECIFICATIONS	
Resolution	2000 - 2048 - 2500 - 4096 - 5000 ppr
Power supply¹	4,5 ... 30 V DC (reverse polarity protection)
Current consumption without load	60 mA max
Max load current	20 mA / channel
Electrical interface²	push-pull / line driver HTL (AEIC-7272) line driver RS-422 (AELT-5000 or equivalent)
Max output frequency	500 kHz
Counting direction	A leads B clockwise (shaft view)
Electromagnetic compatibility	according to 2014/30/EU directive
RoHS	according to 2015/863/EU directive
UL / CSA	certificate n. E212495

CONNECTIONS		
Function	Cable P	Cable L / RS
+V DC	red	red
0 V	black	black
A+	green	green
A-	/	brown or grey
B+	yellow	yellow
B-	/	orange
Z+	blue	blue
Z-	/	white
⊕	shield	shield

MECHANICAL SPECIFICATIONS	
Bore diameter	Ø 6 / 6,35 (1/4") mm
Enclosure rating IEC 60529	mod. 17 IP 40 mod. 30 IP 54 when properly installed with oring kit (not supplied, please refer to the Accessories)
Max rotation speed	6000 rpm (limited by output frequency)
Shock	50 G, 11 ms (IEC 60068-2-27)
Vibration	10 G, 10 ... 2000 Hz (IEC 60068-2-6)
Moment of inertia	0,5 x 10 ⁻⁶ kgm ² (12 x 10 ⁻⁶ lbft ²)
Flange material (mod. 17)	aluminium
Hub material	EN-AW 2011 aluminium
Cover material	PA66 glass fiber reinforced
Shaft radial play allowed	± 0,04 mm
Shaft axial play allowed	± 0,1 mm
Operating temperature^{3,4}	-20° ... +85°C (-4° ... +185°F)
Storage temperature⁴	-20° ... +85°C (-4° ... +185°F)
Weight	50 g (1,76 oz)

¹ as measured at the transducer without cable influences
² for further details refer to OUTPUT LEVELS on TECHNICAL BASICS section
³ measured on the transducer flange
⁴ condensation not allowed