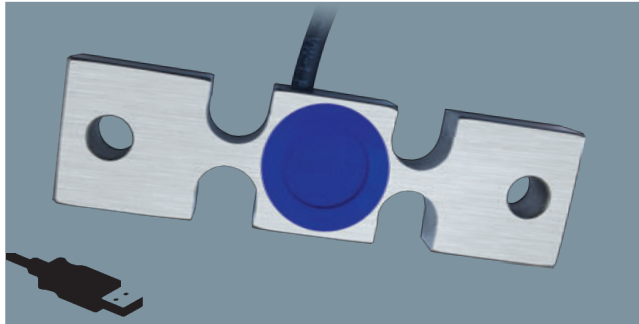


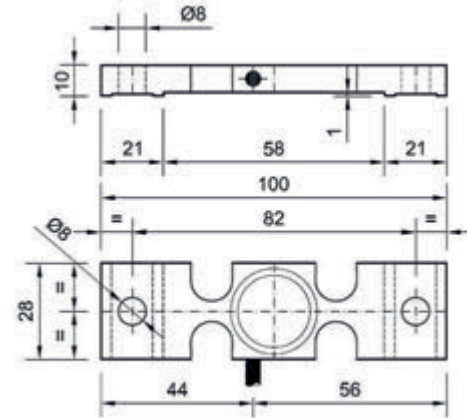
Beam (car-frame) Mounted Over Load Sensor Systems OLS 02/220-K



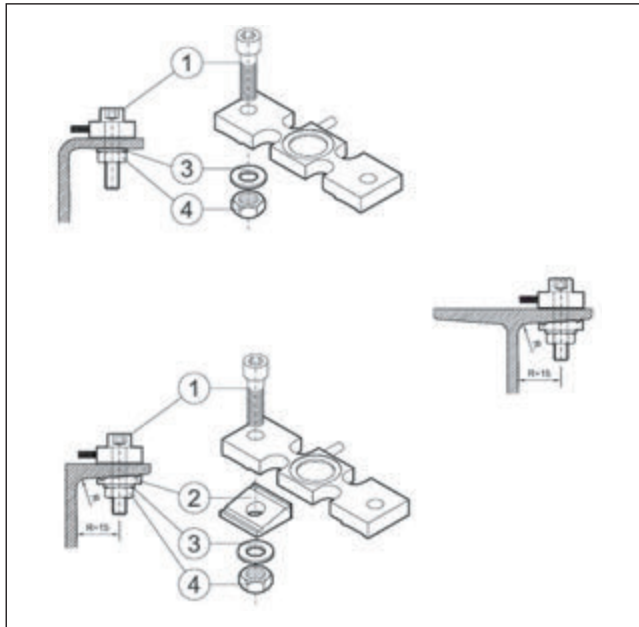
Mechanical Specifications

- Steel body.
- Sensors are IP65 protected.
- Cable length is 200cm
- Sensor number can be increased with USB multiplexer

Dimensions and Mounting Holes



Mounting styles according to different car-frame structure



Mechanical Mounting

